

Part number

# JCVI 16 LP



Bulkhead mounting housing, JEI®-V series, with 1 lever, size "77.27", with plastic cover

## Product description

<b>Product type</b>	Bulkhead mounting housing
<b>Series</b>	JEI®-V
<b>Closing type</b>	With 1 lever
<b>Size</b>	Size 77.27
<b>Cable entry</b>	Without cable entry
<b>Specification</b>	With plastic cover

## Technical data

**IP degree of protection** IP65

## Further technical details

<b>Weight</b>	180,00 g
<b>Operating temperature range (min, max)</b>	-40°C...+125°C

## Material properties

<b>Other materials</b>	Lever: Galvanized steel Gasket: NBR
<b>Colour</b>	RAL 7040 grey

## Approvals / Standards

<b>Certifications</b>	DNV, BV
<b>UL</b>	ECBT2
<b>cUL</b>	ECBT8

## General ordering information

**EAN13 code** 8015747137713

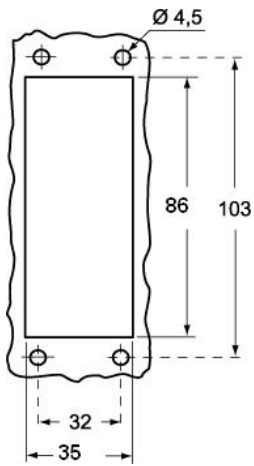
## Packaging Information

<b>Packaging length</b>	350,00 mm
<b>Packaging height</b>	160,00 mm
<b>Packaging width</b>	300,00 mm
<b>Packaging weight</b>	4,05 kg
<b>Packaging volume</b>	16,80 dm <sup>3</sup>
<b>Packaging description</b>	Carton box
<b>Packaging quantity</b>	20 Pcs
<b>Packaging EAN code</b>	8015747144025
<b>Sub-packaging weight</b>	1,01 kg
<b>Sub-packaging description</b>	Plastic packaging
<b>Sub-packaging quantity</b>	5 Pcs
<b>Sub-packaging EAN barcode</b>	8015747140218

Part number  
**JCVI 16 LP**

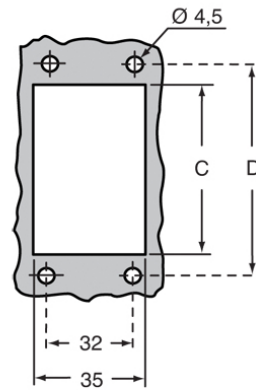
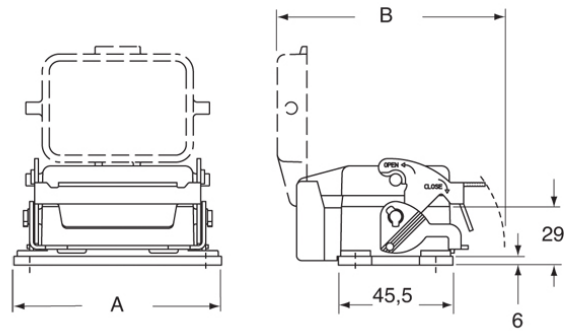


Catalogue drawings



Catalogue drawings

JCVI LP



	A	B	C	D
JCVI 06 LP	82,5	89	52	70
JCVI 10 LP	95,5	94	65	83
JCVI 16 LP	115,5	94	86	103
JCVI 24 LP	142,5	94	112	130

## Notes

Dimensions shown in mm are not binding and may be changed without notice.