



# WSE280-2H4331

W280-2

COMPACT PHOTOELECTRIC SENSORS

**SICK**  
Sensor Intelligence.



Illustration may differ



### Ordering information

| Type          | Part no. |
|---------------|----------|
| WSE280-2H4331 | 6044747  |

**Included in delivery:** BEF-W280 (2)

Other models and accessories → [www.sick.com/W280-2](http://www.sick.com/W280-2)

### Detailed technical data

#### Features

|  |                                   |
|--|-----------------------------------|
| <b>Functional principle</b>            | Through-beam photoelectric sensor |
| <b>Dimensions (W x H x D)</b>          | 23.5 mm x 74.5 mm x 63 mm         |
| <b>Housing design (light emission)</b> | Rectangular                       |
| <b>Sensing range max.</b>              | 0 m ... 60 m                      |
| <b>Sensing range</b>                   | 0 m ... 50 m                      |
| <b>Type of light</b>                   | Visible red light                 |
| <b>Light source</b>                    | LED <sup>1)</sup>                 |
| <b>Light spot size (distance)</b>      | Ø 0.6 m (20 m)                    |
| <b>Adjustment</b>                      | Potentiometer                     |

<sup>1)</sup> Average service life: 100,000 h at T<sub>J</sub> = +25 °C.

#### Mechanics/electronics

|  |  |
|--|--|
| <b>Supply voltage U<sub>B</sub></b>          | 24 V DC ... 240 V DC <sup>1)</sup><br>24 V AC ... 240 V AC <sup>1)</sup> |
| <b>Power consumption, sender</b>             | ≤ 3.5 VA   |
| <b>Power consumption, receiver</b>           | ≤ 3.5 VA   |
| <b>Switching output</b>                      | Relay, electrically isolated <sup>2)</sup>                               |
| <b>Output function</b>                       | Change-over contacts   |
| <b>Switching mode</b>                        | Light switching <sup>2)</sup>  |
| <b>Switching current (switching voltage)</b> | 3 A (240 V AC)<br>3 A (30 V DC)  |

<sup>1)</sup> ± 10%.

<sup>2)</sup> Provide suitable spark suppression for inductive or capacitive loads.

<sup>3)</sup> With light/dark ratio 1:1.

<sup>4)</sup> A = V<sub>S</sub> connections reverse-polarity protected.

<sup>5)</sup> C = interference suppression.

<sup>6)</sup> Rated voltage: 250 V AC/DC.

<sup>7)</sup> In the case of a DC supply (relating to EN 61000-6-3) the length of cable between the supply source and the sensor must be < 30 m.

<sup>8)</sup> The AC/DC devices (-2Rxxxx only) comply with the Radio Safety Requirements for the industrial sector (Radio Safety Class A). They may cause radio interference if used in a residential area.

|  |  |
|--|--|
| <b>Response time</b>                       | ≤ 15 ms  |
| <b>Switching frequency</b>                 | 33 Hz <sup>3)</sup>  |
| <b>Connection type</b>                     | Cable gland  |
| <b>Circuit protection</b>                  | A <sup>4)</sup><br>C <sup>5)</sup>                           |
| <b>Protection class</b>                    | II <sup>6)</sup>   |
| <b>Overvoltage category</b>                | 2  |
| <b>Weight</b>                              | 300 g  |
| <b>Interference emission</b>               | EN 61000-6-3 (only -2Hxxxx) <sup>7)</sup>                    |
| <b>Housing material</b>                    | Plastic, ABS   |
| <b>Optics material</b>                     | Plastic, PMMA  |
| <b>Enclosure rating</b>                    | IP66<br>IP67   |
| <b>Items supplied</b>                      | Mounting bracket BEF-W280                                    |
| <b>Electromagnetic compatibility (EMC)</b> | EN 60947-5-2<br>EN 61000-6-3 (only -2Hxxxx) <sup>8) 8)</sup> |
| <b>Ambient operating temperature</b>       | -25 °C ... +55 °C  |
| <b>Ambient temperature, storage</b>        | -40 °C ... +70 °C  |

1) +/- 10%.

2) Provide suitable spark suppression for inductive or capacitive loads.

3) With light/dark ratio 1:1.

4) A = V<sub>S</sub> connections reverse-polarity protected.

5) C = interference suppression.

6) Rated voltage: 250 V AC/DC.

7) In the case of a DC supply (relating to EN 61000-6-3) the length of cable between the supply source and the sensor must be < 30 m.

8) The AC/DC devices (-2Rxxxx only) comply with the Radio Safety Requirements for the industrial sector (Radio Safety Class A). They may cause radio interference if used in a residential area.

### Safety-related parameters

|                         |           |
|-------------------------|-----------|
| <b>MTTF<sub>D</sub></b> | 441 years |
| <b>DC<sub>avg</sub></b> | 0 %       |

### Classifications

|                     |          |
|---------------------|----------|
| <b>ECLASS 5.0</b>   | 27270901 |
| <b>ECLASS 5.1.4</b> | 27270901 |
| <b>ECLASS 6.0</b>   | 27270901 |
| <b>ECLASS 6.2</b>   | 27270901 |
| <b>ECLASS 7.0</b>   | 27270901 |
| <b>ECLASS 8.0</b>   | 27270901 |
| <b>ECLASS 8.1</b>   | 27270901 |
| <b>ECLASS 9.0</b>   | 27270901 |
| <b>ECLASS 10.0</b>  | 27270901 |
| <b>ECLASS 11.0</b>  | 27270901 |
| <b>ECLASS 12.0</b>  | 27270901 |
| <b>ETIM 5.0</b>     | EC002716 |

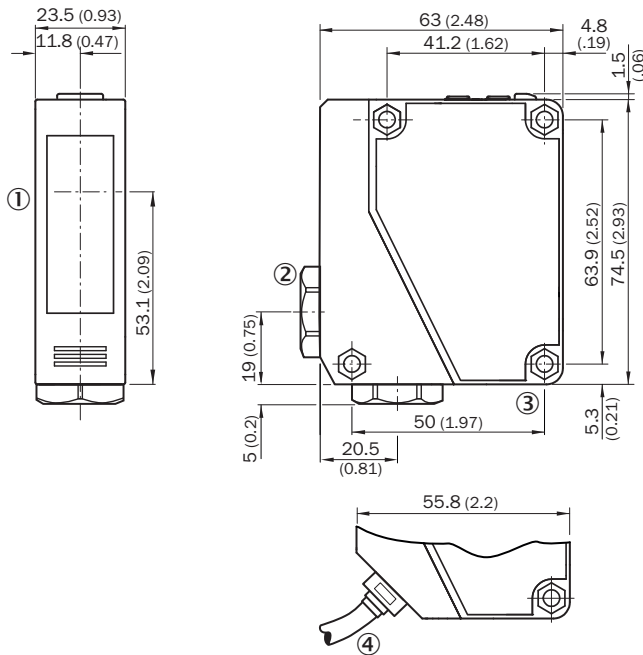
# WSE280-2H4331 | W280-2

## COMPACT PHOTOELECTRIC SENSORS

|                       |          |
|-----------------------|----------|
| <b>ETIM 6.0</b>       | EC002716 |
| <b>ETIM 7.0</b>       | EC002716 |
| <b>ETIM 8.0</b>       | EC002716 |
| <b>UNSPSC 16.0901</b> | 39121528 |

### Dimensional drawing (Dimensions in mm (inch))

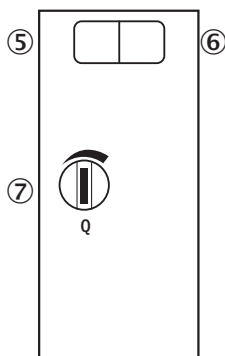
WSE280-2, AC/DC



- ① Sender and receiver optical axis center
- ② Cable entry gland 3/8" for cable diameter 6 to 8 mm
- ③ Mounting hole, Ø 4.3 mm
- ④ Cable, 2 m, 5-wire, Ø 6.3 mm

### Adjustments

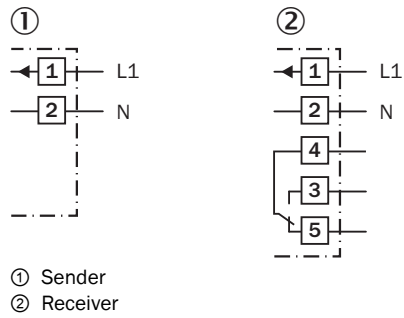
WSE280-2H/-2R



- ⑤ LED indicator green: Stability indicator
- ⑥ Status indicator LED, yellow: Status of received light beam (only receiver WE)
- ⑦ Sensitivity adjustment: Potentiometer (only receiver WE)

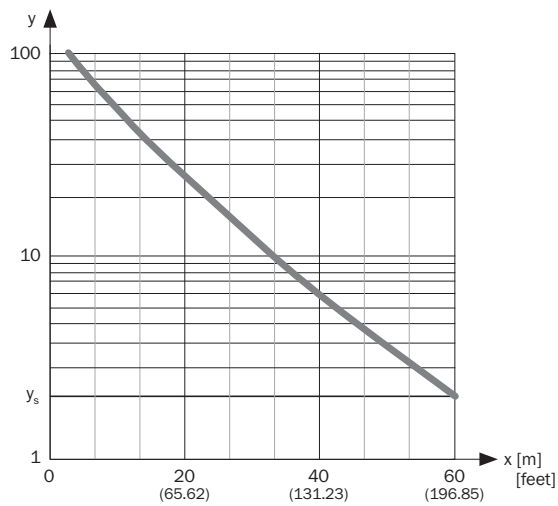
### Connection diagram

Cd-227



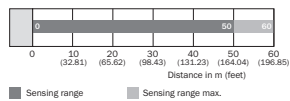
### Characteristic curve

WSE280-2



### Sensing range diagram

WSE280-2



## SICK AT A GLANCE

SICK is one of the leading manufacturers of intelligent sensors and sensor solutions for industrial applications. A unique range of products and services creates the perfect basis for controlling processes securely and efficiently, protecting individuals from accidents and preventing damage to the environment.

We have extensive experience in a wide range of industries and understand their processes and requirements. With intelligent sensors, we can deliver exactly what our customers need. In application centers in Europe, Asia and North America, system solutions are tested and optimized in accordance with customer specifications. All this makes us a reliable supplier and development partner.

Comprehensive services complete our offering: SICK LifeTime Services provide support throughout the machine life cycle and ensure safety and productivity.

For us, that is “Sensor Intelligence.”

## WORLDWIDE PRESENCE:

Contacts and other locations –[www.sick.com](http://www.sick.com)