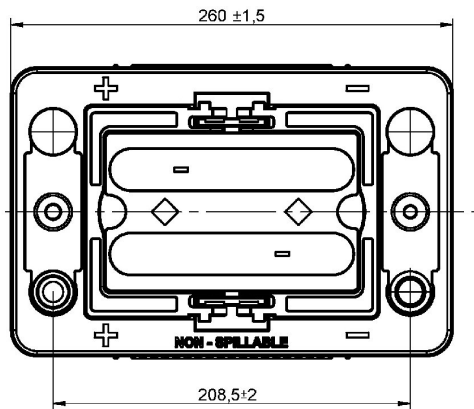
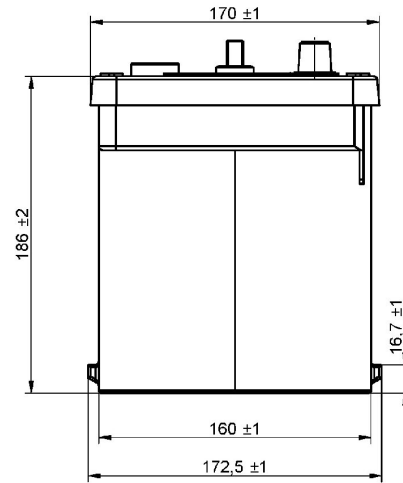
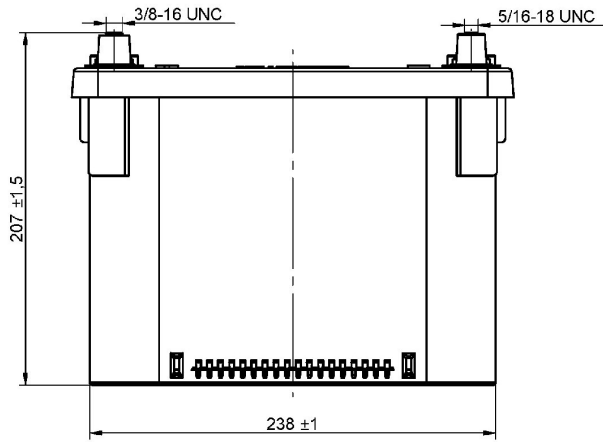


Central Article Code: G34075M01-A

ETN Code or Other: MAXX900.DC

Created: 06/09/2005

Modified: 28/10/2008



PERFORMANCES		CONTAINER	
Voltage (V):	12 V	Type:	G34 BLACK
C20 (Ah):	50.0 20 h	Hold Down:	B7
Rc (min):	0	H. D. Adapter:	No
Cranking (A):	750 EN	COVER	
Vibration:	V3+ (35Hz/6g/60h)	Type:	Maxxima/Orbital BLUE LIGHT
Endurance:	500 cycles@75%	Polarity:	ETN 9
Charge:	CHARGED	Terminals:	SAE M 3/8"- 5/16" taper&stud
Technology:	Orbital	Terminal Adapter:	No
Grid :	Pb-Sn	SOCI:	No
WEIGHT AND STD. DIMENSIONS		Ventilation:	Central
Battery Weight (kg):	18.64	Filter:	2 Filters
Volume acid (l):	0.00	Lateral Plug:	No
Length (mm):	260	PLUGS	
Width (mm):	173	Type:	6 x Valve+Cover BLACK
Height (mm):	206	HANDLES	
		Type:	2 x Integrated BLACK
		OTHERS	
		Degassing Tube:	No
		3/8-5/16 nuts in plastic bag	