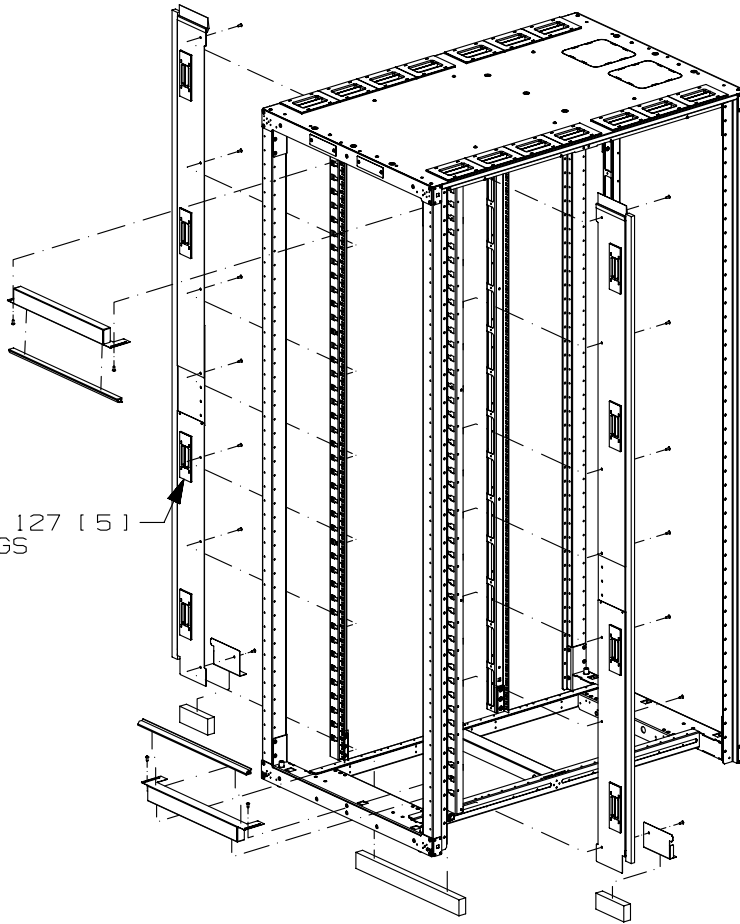


THIS COPY IS PROVIDED ON A RESTRICTED BASIS AND IS NOT TO BE USED IN ANY WAY DETRIMENTAL TO THE INTERESTS OF PANDUIT CORP.



APPLICATION VIEW -  
CABINET NOT INCLUDED

PANDUIT PART NO.	WEIGHT
S8VBPN	19.0 LBS/EACH 8.6 Kg/EACH

- VISIT OUR ON-LINE CATALOG AT [WWW.PANDUIT.COM](http://WWW.PANDUIT.COM) FOR A LIST OF CURRENT PARTS APPLICABLE FOR USE WITH THIS PRODUCT.
- DIMENSIONS IN PARENTHESSES ARE METRIC [mm].
- VERTICAL BLANKING PANELS BLOCK BYPASS AIR AND DIRECT COLD AIRFLOW THROUGH EQUIPMENT.
- PARTS SUPPLIED:
  - 1- 42-48RU RIGHT VERTICAL BLANKING PANEL
  - 1- 42-48RU LEFT VERTICAL BLANKING PANEL
  - 2- HORIZONTAL BLANKING PANEL
  - 1- HARDWARE AND SEAL KIT
  - 1- INSTRUCTION SHEET
- FULLY BONDED STRUCTURE WHEN ASSEMBLED PER INSTRUCTIONS.
- COMPATIBLE WITH CTGN1X5 COOL BOOT.

REV	DATE	BY	CHK	APR	DESCRIPTION	ECN
01A	11-22-13	PBS	ROJC	JDWE	RELEASED TO PRODUCTION	13V379TV-DC

TITLE			S8VBPN		
ITEM REVISION NAME			CUSTOMER DRAWING		
13V379TV/01.PRT					
DATASET FILE NAME			13V379TV_DC/01A.PRT		
UNLESS OTHERWISE SPECIFIED, DIMENSIONAL TOLERANCES ARE:			MATERIAL/COLOR:		
INCHES	± 0.03	METRIC - MILLIMETER	± 0.8	N/A	
X.X	± 0.018	X.X	± 0.46		
X.XX	± 0.007	X.XX	± 0.18		
DRAWING NUMBER:			13V379TV-DC		
DRAWN BY			DATE	CHK	SCALE
PBS	11-22-13	ROJC	NONE	SHT 1 OF 2	
THIRD ANGLE PROJECTION			SIZE		
			A		

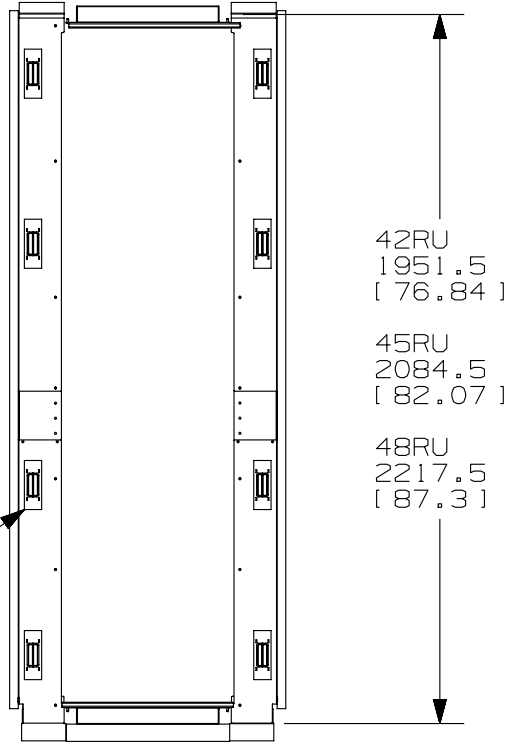
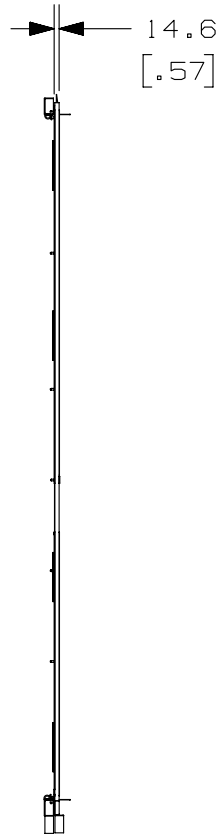
2

1

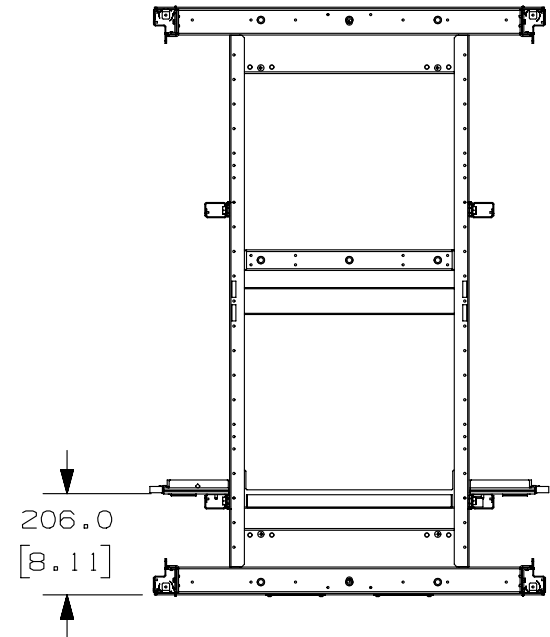
2

1

THIS COPY IS PROVIDED ON A RESTRICTED BASIS AND IS NOT TO BE USED IN ANY WAY DETRIMENTAL TO THE INTERESTS OF PANDUIT CORP.



REMOVABLE  
38.1 [1.5] X 127 [5]  
COVER COMPATIBLE  
WITH COOL-BOOT  
CTGN1X5



01A	11-22-13	PBS	ROJC	JDWE	SEE SHEET 1 OF 2 FOR REVISIONS			13V379TV-DC		
REV	DATE	BY	CHK	APR	DESCRIPTION			ECN		

TITLE			S8VBPN		
			CUSTOMER DRAWING		
ITEM REVISION NAME			13V379TV/01.PRT		
DATASET FILE NAME			13V379TV_DC/01A.PRT		
UNLESS OTHERWISE SPECIFIED, DIMENSIONAL TOLERANCES ARE:			MATERIAL/COLOR:		
INCHES	+/- 0.03	METRIC - MILLIMETER	ANGLE	N/A	
X.X	+/- 0.018	X.X	+/- 0.8		
X.XX	+/- 0.018	X.X	+/- 0.46		
X.XXX	+/- 0.007	X.XX	+/- 0.18		
			DRAWING NUMBER:		
			13V379TV-DC		
DRAWN BY	DATE	CHK	SCALE		
PBS	11-22-13	ROJC	NONE	SHT 2 OF 2	
			THIRD ANGLE PROJECTION		
			SIZE		
			A		