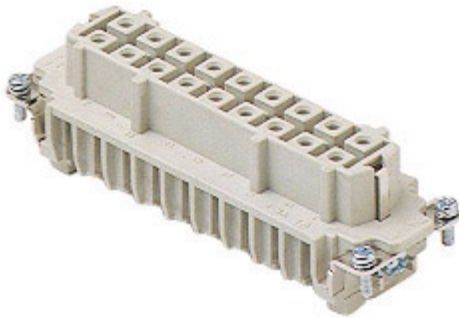



Part number

# CMCEF 16



Female insert, CMCE series, crimp connection, 16 + 2 poles + PE, 16 A 400/690 V 6 kV 3 / 16 A 500 V 6 kV 3, size "104.27"

Product description		Material properties	
<b>Product type</b>	Insert	<b>Main material</b>	Polycarbonate (PC)
<b>Series</b>	CMCE	<b>Colour</b>	RAL 7032 grey
<b>Connection type</b>	Crimp connection	<b>RoHS conformity</b>	Compliant
<b>Gender</b>	Female	<b>China RoHS - EFUP</b>	E
<b>N. of poles</b>	16 poles + 	<b>REACH SVHC substances</b>	No
<b>Auxiliary poles</b>	2 poles	<b>Approvals / Standards</b>	
<b>Size</b>	Size 104.27	<b>Reference standard</b>	EN 61984:2009-06
<b>Technical data</b>		<b>Certifications</b>	CSA, CQC, DNV, BV, EAC
<b>Current</b>	16 A	<b>UL</b>	ECBT2
<b>Voltage</b>	400 - 690 V	<b>General ordering information</b>	
<b>Rated impulse withstand voltage</b>	6 kV	<b>EAN13 code</b>	8015747136136
<b>Pollution degree</b>	3	<b>ETIM 7.0</b>	EC000438
<b>Rated voltage according to UL/CSA</b>	600 V	<b>Packaging Information</b>	
<b>IP degree of protection</b>	IP20 without enclosure, IP65/IP66 with enclosure	<b>Packaging length</b>	270,00 mm
<b>Further technical details</b>		<b>Packaging height</b>	75,00 mm
<b>Characteristics according to EN 61984</b>	16A 830V 8kV 3 (aux: 16A 500V 6kV 3); 16A 1000V 8kV 2 (power contacts only)	<b>Packaging width</b>	180,00 mm
<b>Mating cycles</b>	≥ 500	<b>Packaging weight</b>	2,53 kg
<b>Insulation resistance</b>	≥ 10 GΩ	<b>Packaging volume</b>	3,65 dm <sup>3</sup>
<b>Contact resistance</b>	≤ 1 mΩ	<b>Packaging description</b>	Carton box
<b>Weight</b>	74,00 g	<b>Packaging quantity</b>	30 Pcs
<b>Operating temperature range (min, max)</b>	-40 °C ... +125 °C	<b>Packaging EAN code</b>	8015747136259
<b>UL 94 flammability rating</b>	V-0	<b>Sub-packaging length</b>	113,00 mm
		<b>Sub-packaging height</b>	36,00 mm
		<b>Sub-packaging width</b>	180,00 mm
		<b>Sub-packaging weight</b>	0,42 kg
		<b>Sub-packaging volume</b>	0,73 dm <sup>3</sup>
		<b>Sub-packaging description</b>	Carton tray
		<b>Sub-packaging quantity</b>	5 Pcs
		<b>Sub-packaging EAN barcode</b>	8015747136266

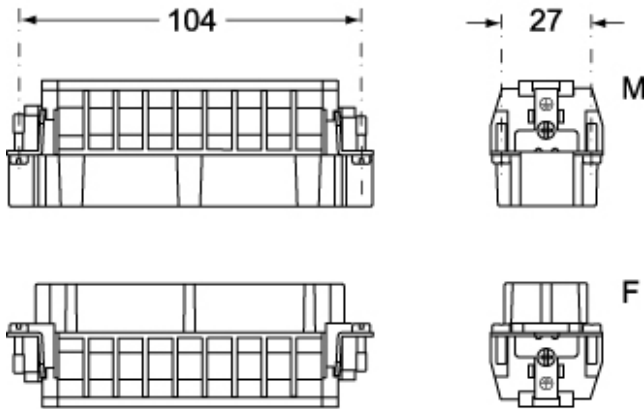
Part number

# CMCEF 16

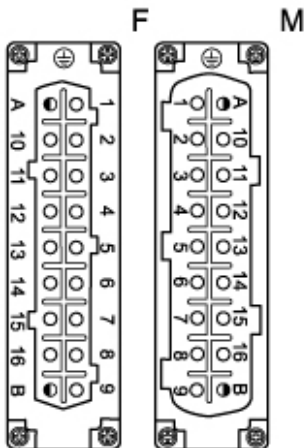


Catalogue drawings

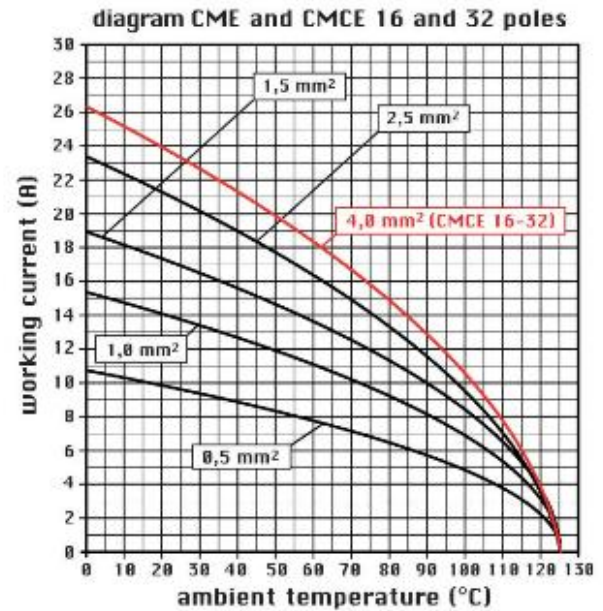
## CMCEM 16



## CMCEF 16



Catalogue drawings



## Notes

CMCEF/M 16 inserts

- the auxiliary contacts are the same as power contacts: early opening is obtained by drawing back the seats
- characteristics according to EN 61984:
  - 16A 400/690V 6kV 3
  - 16A 1000V 8kV 2
  - 16A 720/1250V 8kV 2
- auxiliary contacts: 16A 500V 6kV 3
- rated voltage according to UL/CSA: 600V
- insulation resistance: > 10 GOhm
- ambient temperature limit: -40 °C ... +125 °C
- are made of self-extinguishing thermoplastic resin UL 94 V0
- mechanical life: > 500 cycles
- contact resistance: < 1 mOhm

- enclosures: size 104.27:
- T-TYPE IP65 insulating
- W-TYPE aggressive environments
- insulated 830V
- panel support: COB

Dimensions shown in mm are not binding and may be changed without notice.

## California Proposition 65 Information



### **WARNING**

This product can expose you to nickel compounds, known to the State of California to cause cancer and/or reproductive toxicity. For more information go to [www.P65Warnings.ca.gov](http://www.P65Warnings.ca.gov).

---