

h3+ P630

3P - 4P

x1

AX AX AX-AL
AX AX SHT
AL AL UVT

x4 (3P)
x6 (4P)

! ENERGY

MCCB 3P
ENERGY

HTC160H

Wrench and Screwdriver

3
PH1 / PH2
6 / 8

x1

x6 (3P)
x8 (4P)

M6 x 100

x4

Dimensions: 260, 228, 150, 103, 97, 115, 45, 45, 45, 90, 137, 184.

	A (mm)
3P	140
4P	185

214 mm

45 mm

M6

PH2

6 Nm

TRIP →

A

OFF →

B

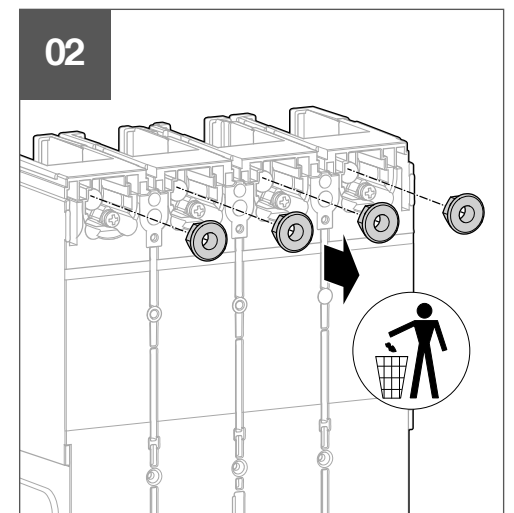
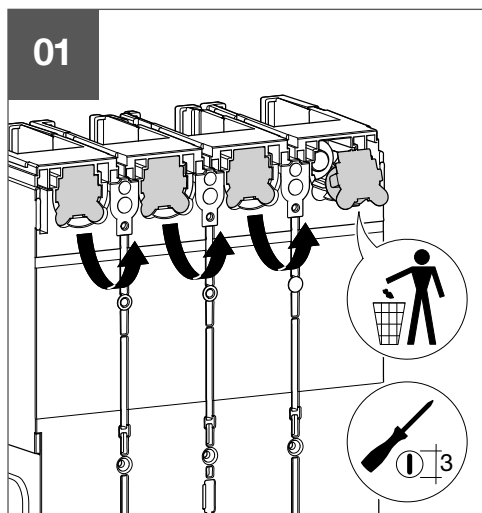
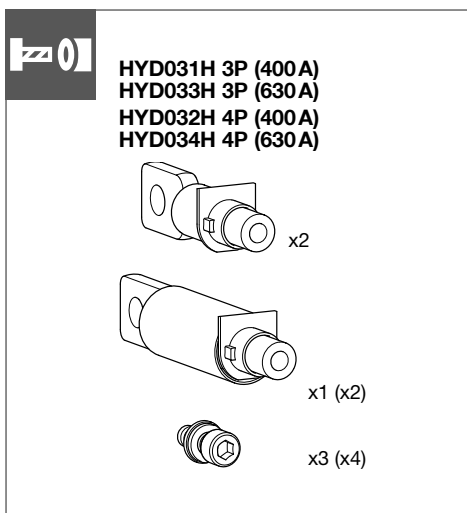
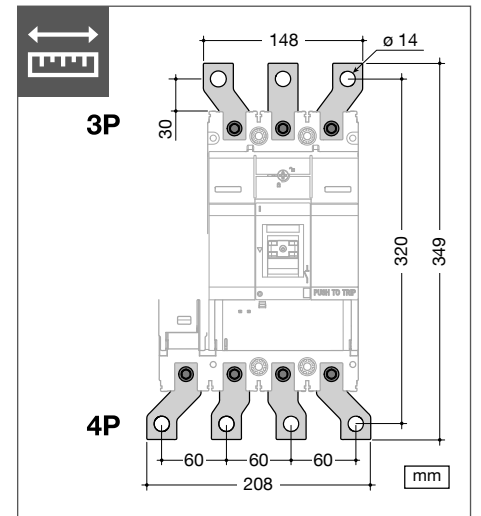
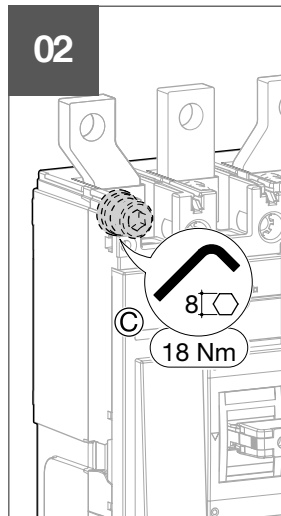
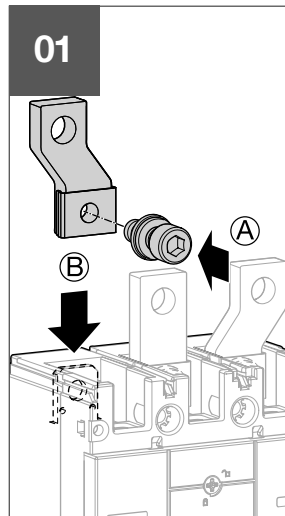
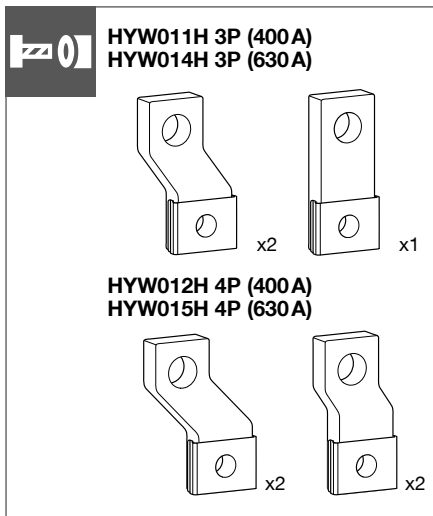
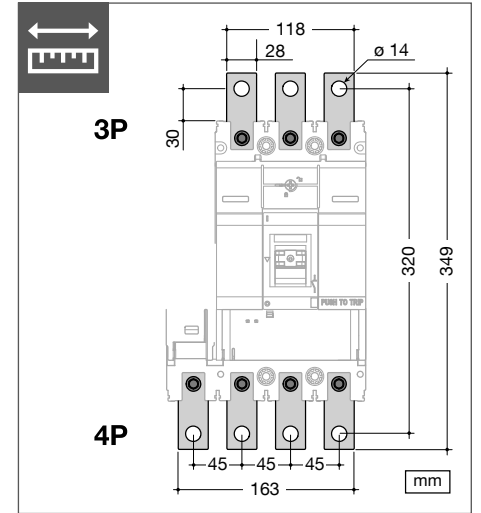
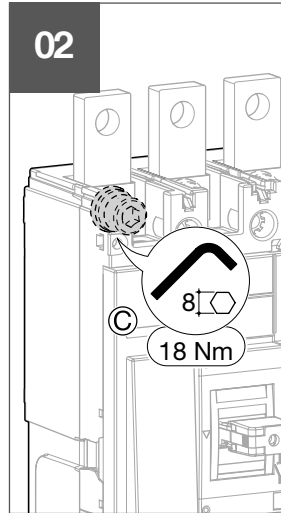
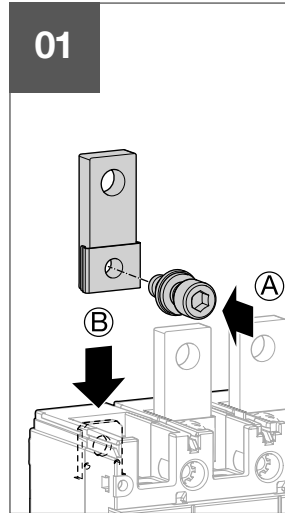
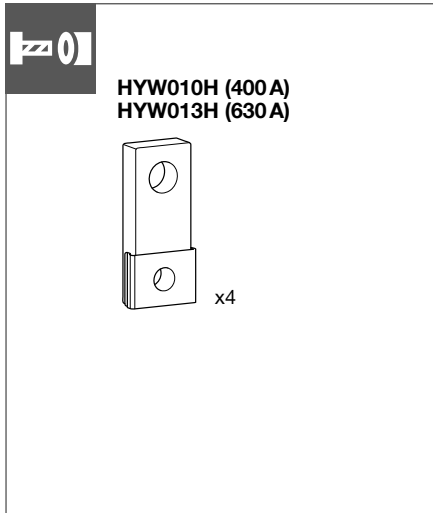
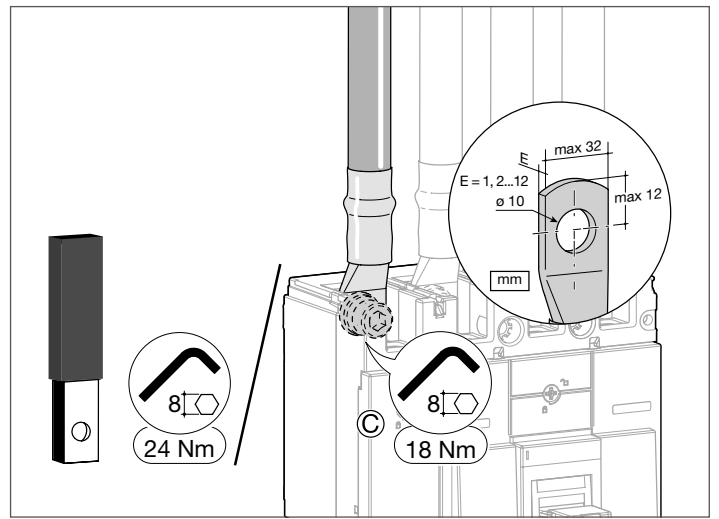
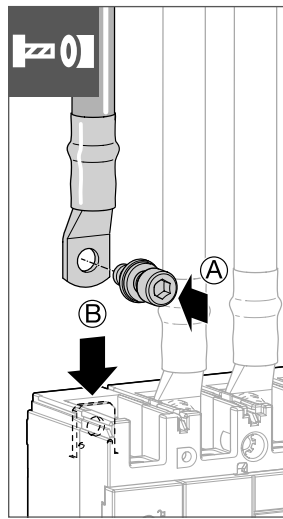
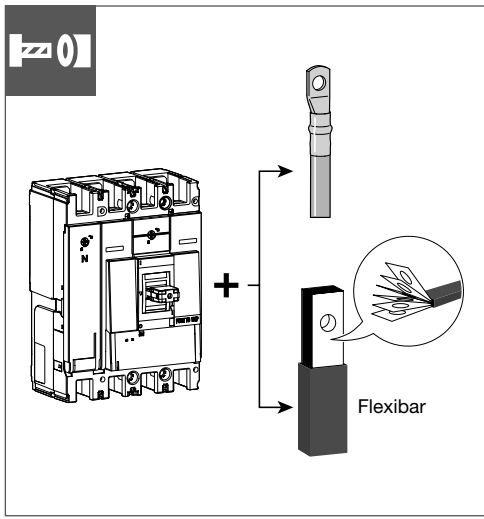
ON →

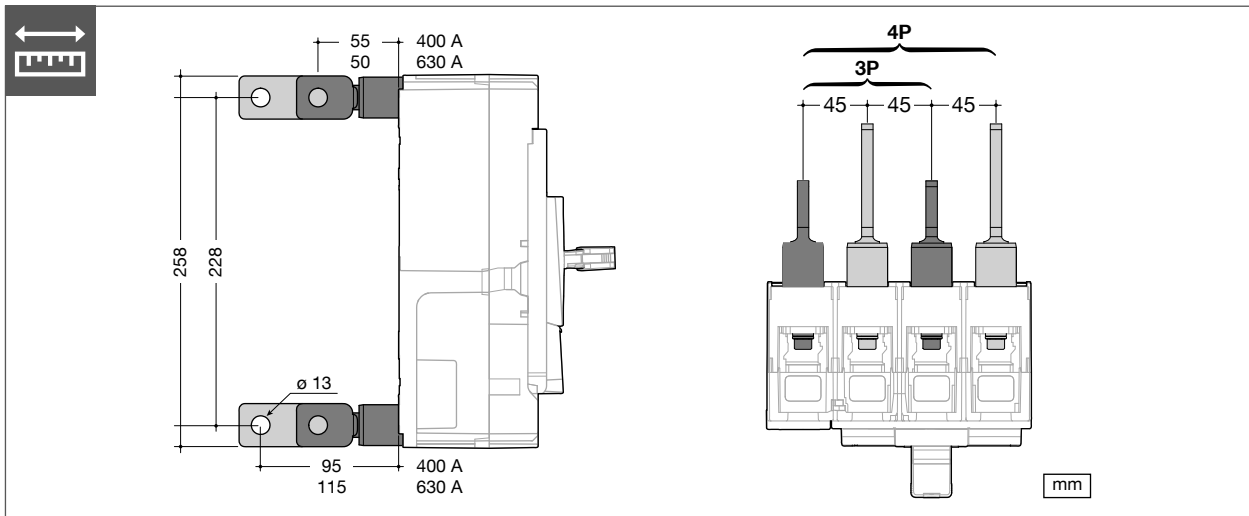
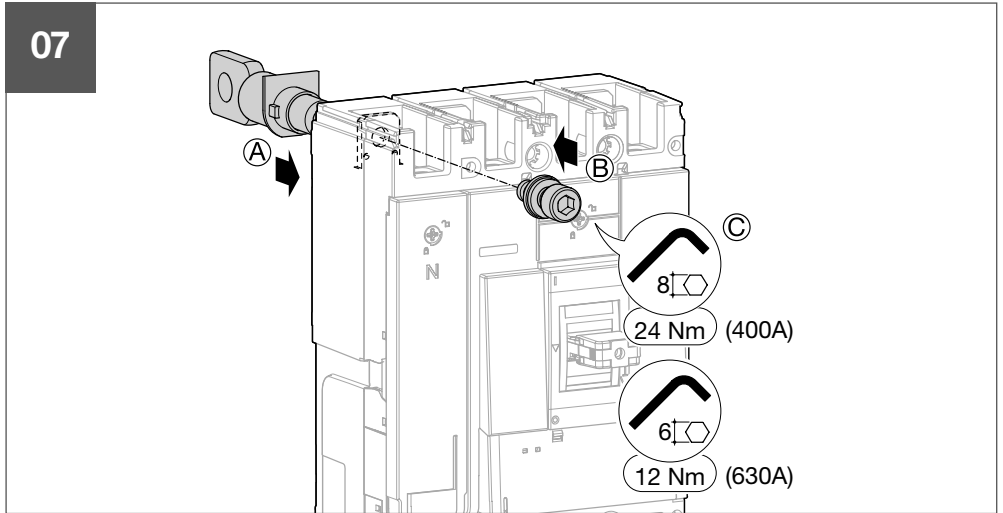
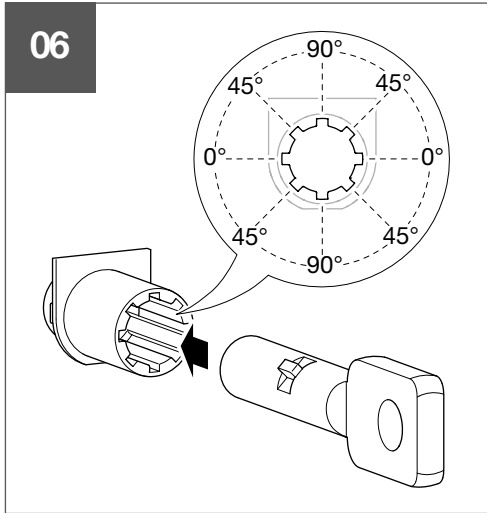
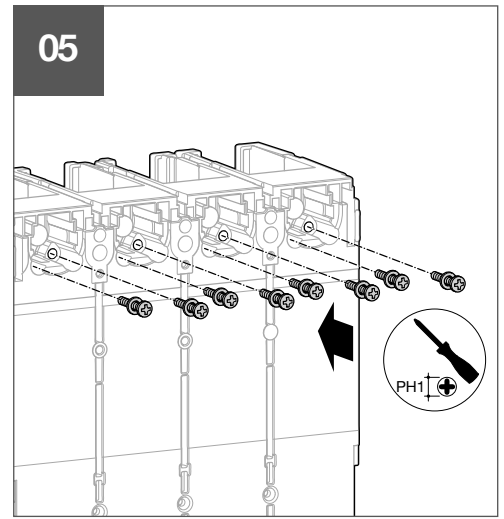
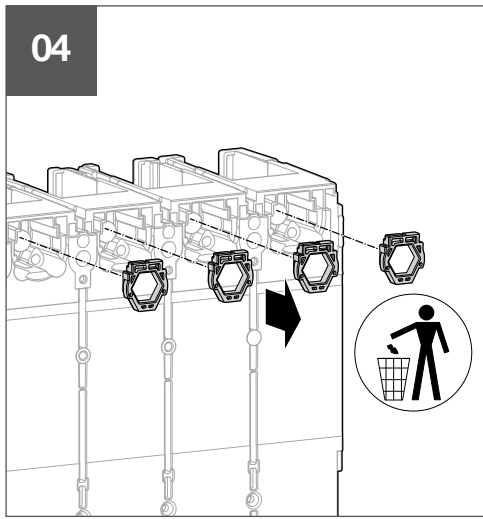
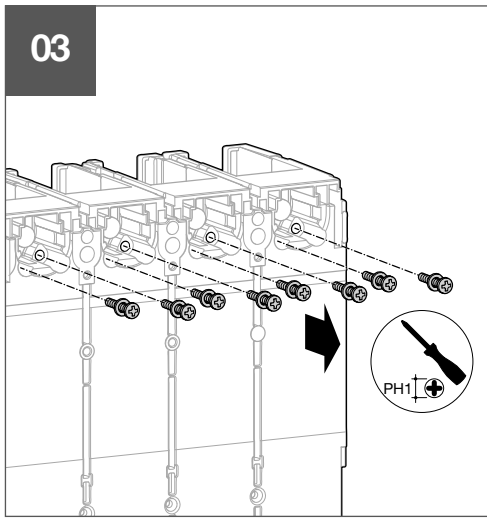
C

TRIP →

D

OFF





00

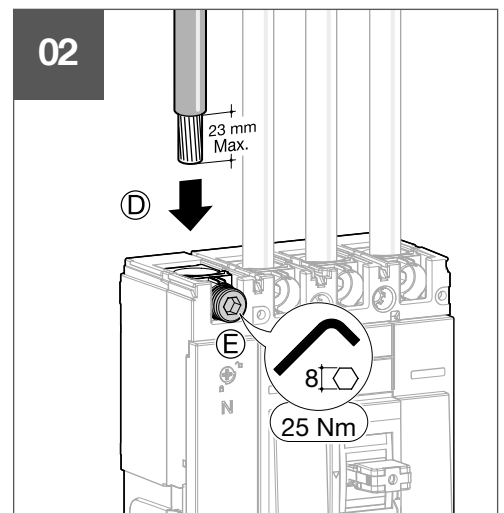
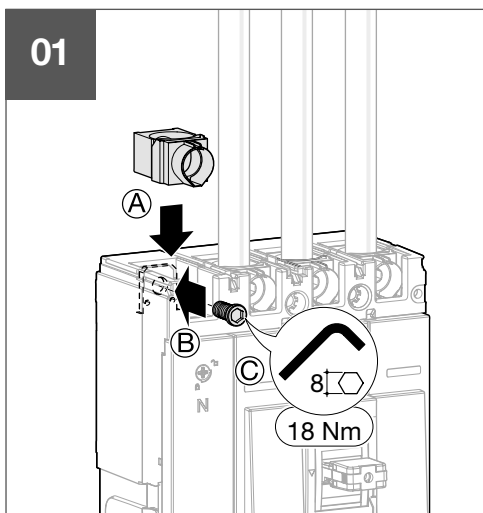
HYW001H 3P
HYW002H 4P

Cu
 Al

	min.	max.
400 A - 630 A		
35 □	35 □	300 □
120 □	120 □	300 □

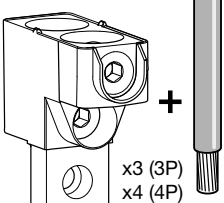
x3 (3P)
 x4 (4P)

L=28 mm x3 (x4)
 L=21 mm x3 (x4)



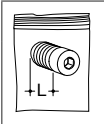
0

**HYW007H 3P
HYW008H 4P**

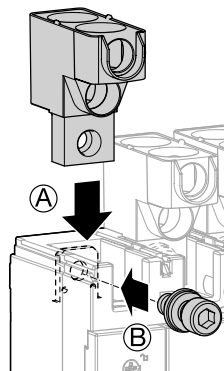


Cu
Al

	min.	max.
	400 A - 630 A	
	35□	300□

	35□ → 95□ L=28 mm x6 (x8)	120□ → 300□ L=21 mm x6 (x8)
---	---------------------------------	-----------------------------------

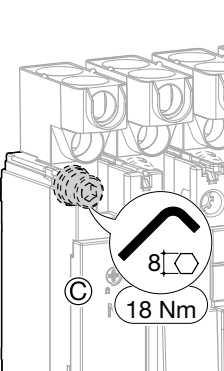
01



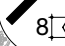
A

B

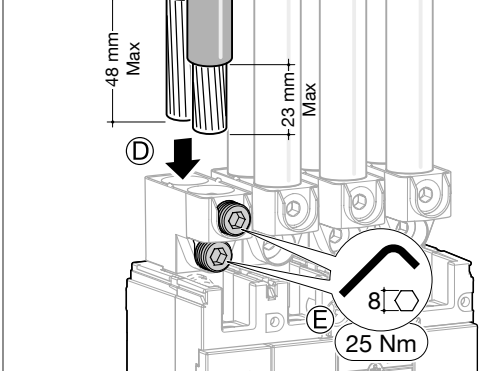
02



C

8 
18 Nm


03



D

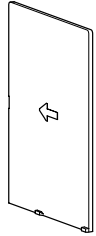
E

48 mm Max
23 mm Max

8 
25 Nm

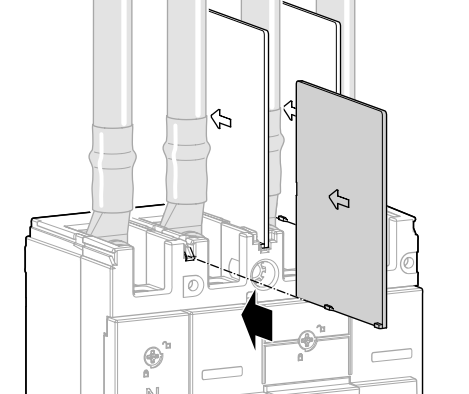
⚡

HYW019H



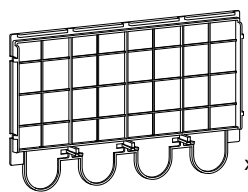
x3

3P - 4P



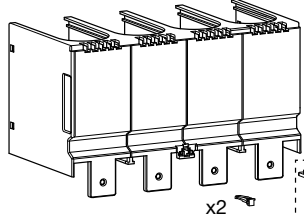
⚡

**HYW050H 3P
HYW051H 4P**



x2

**HYW021H 3P
HYW022H 4P**

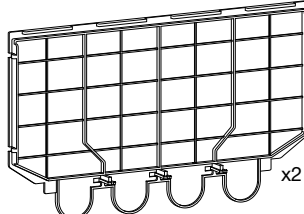


x2

x3 (3P)
x4 (4P)

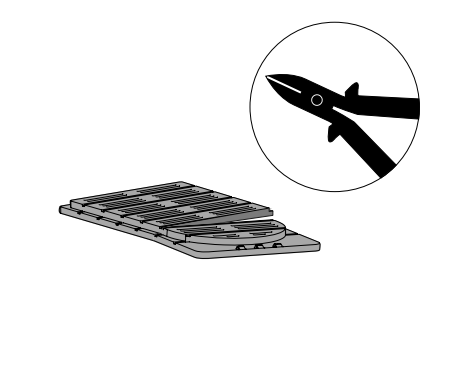
x2

**HYW052H 3P
HYW053H 4P**

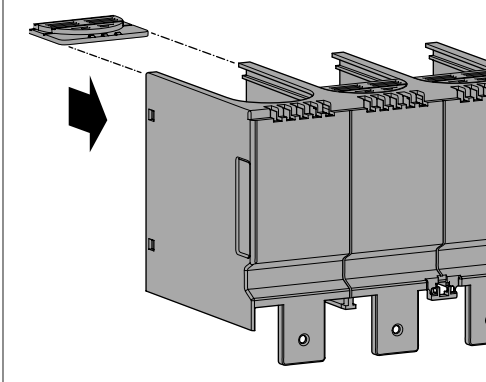


x2

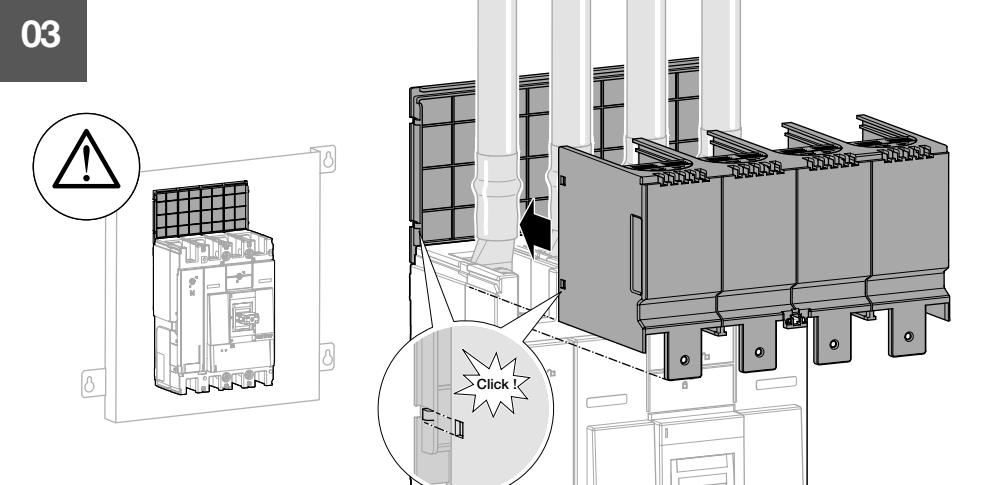
01



02



03



⚠

Click!

