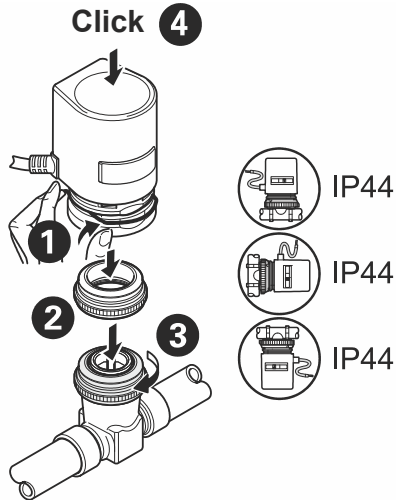


MZ95NC/NO-24T, -230T

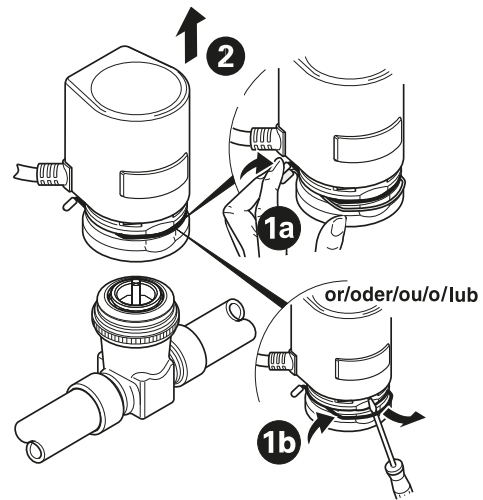
Installation Instructions

- D Montageanweisung
- RU Руководство по установке
- PL Instrukcja montażu
- F Instructions d'installation
- I Istruzioni di montaggio
- NL Installatievoorschrift
- DK Installationsinstruktus
- N Installationsinstruktioner
- FIN Asennusohje
- S Installation instruktioner
- E Instrucciones de montaje

1: Mounting/Montage/Montage/ Montaggio/Montaž



2: Dismounting/Demontage/Démontage/ Smontaggio/Demontáž



3

 NC VERSION (NORMALLY-CLOSED) NC-VERSION (STROMLOS GESCHLOSSEN) VERSION NC (NORMALEMENT FERMÉ) VERSIONE NC (NORMALMENTO CHIUSO) NC (NORMALNIE ZAMKNIĘTY)	 NO VERSION (NORMALLY-OPEN) NO-VERSION (STROMLOS OFFEN) VERSION NO (NORMALEMENT OUVERT) VERSIONE NO (NORMALMENTE APERTO) NO (NORMALNIE OTWARTY)
VZ22: DN15, DN20 	
VZ32: DN15, DN20 	
VZ42: DN15, DN20 	

**Replacement, easy installation/
Austausch, einfache Installation/
Remplacement, installation facile/
Sostituzione, installazione semplice/
Wymiana, Łatwe podłączenie**

**Dimensions/Abmessungen/Dimensions/
Dimensioni/Wymiary (mm)**

dimension	MZ95xx-xxxT
W	42
H	67
L	45
X	6

Wiring/Verkabelung/Câblage/Montaggio/Przewody

MZ95NC-230T, MZ95NO-230T

BROWN, BRAUN, BRUN, MARRONE, BRĄZOWY — R-T — 230 Vac

BLUE, BLAU, BLEU, BLŪ, NIEBIESKI

MZ95NC-24T, MZ95NO-24T

BROWN, BRAUN, BRUN, MARRONE, BRĄZOWY — R-T — 24 V

BLUE, BLAU, BLEU, BLŪ, NIEBIESKI

- | | | | | | | | | | | |
|-------|-------|------|--------|------|---------|-------|-------|----------|------|---------|
| BROWN | BRAUN | BRUN | MARRÓN | BRUN | MARRONE | BRUNT | BRUIN | CASTANHO | BRUN | RUSKEA |
| BLUE | BLAU | BLA | AZUL | BLEU | BLU | BLATT | BLAUW | AZUL | BLÅ | SININEN |