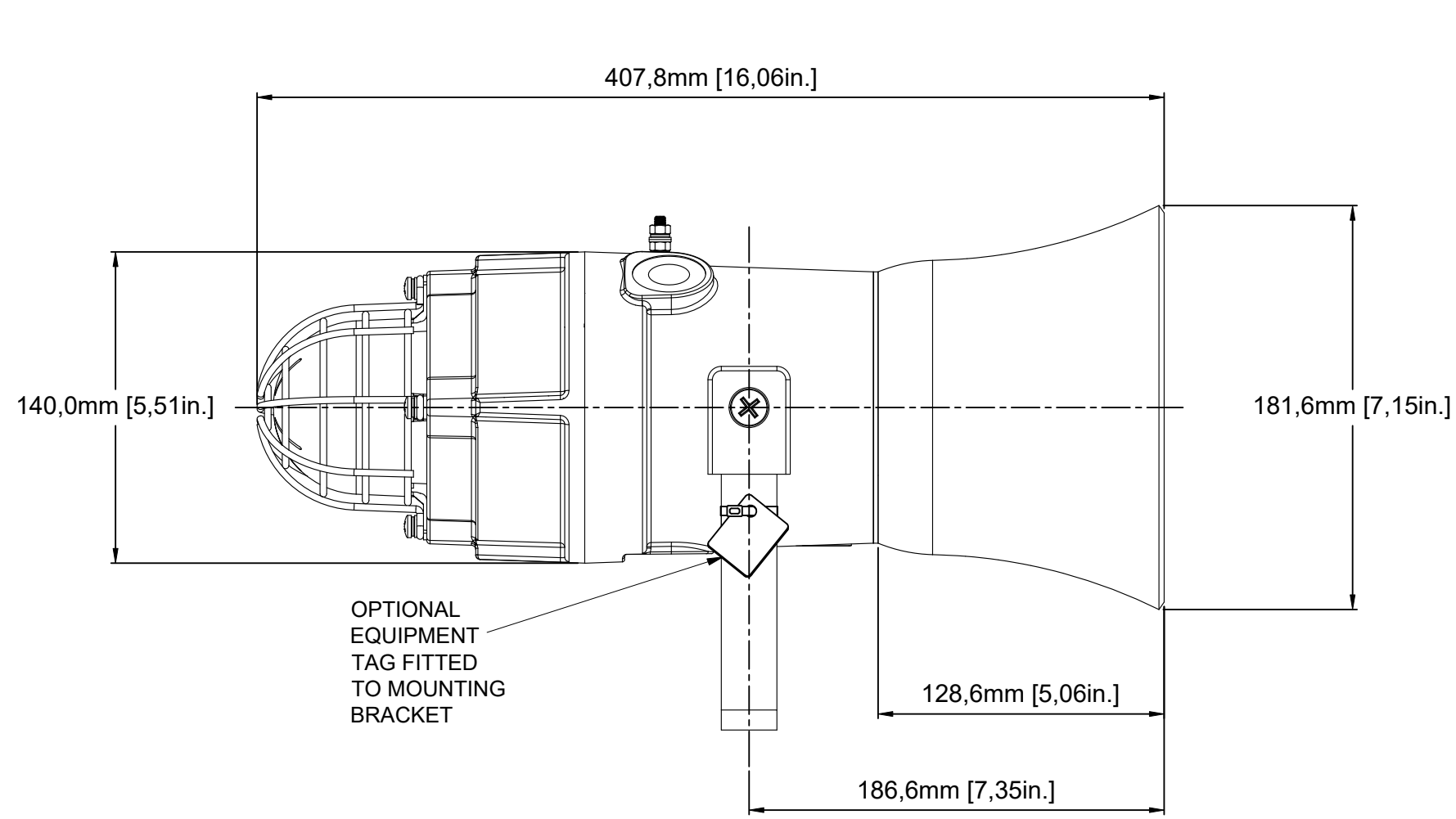
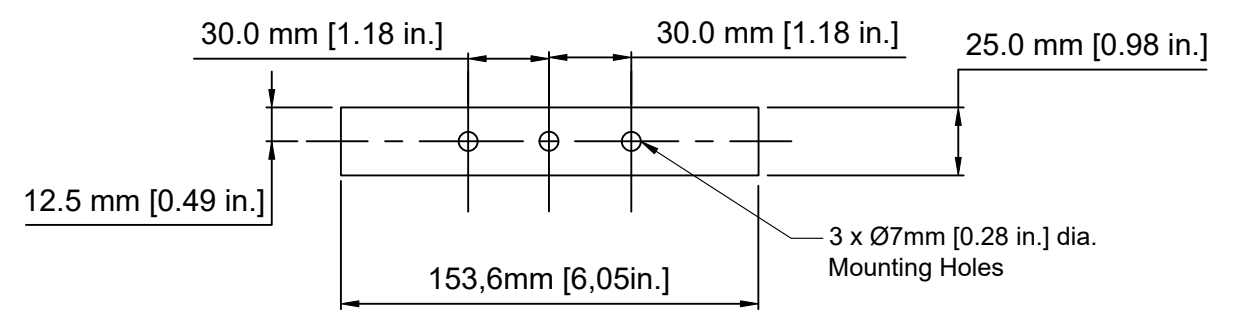
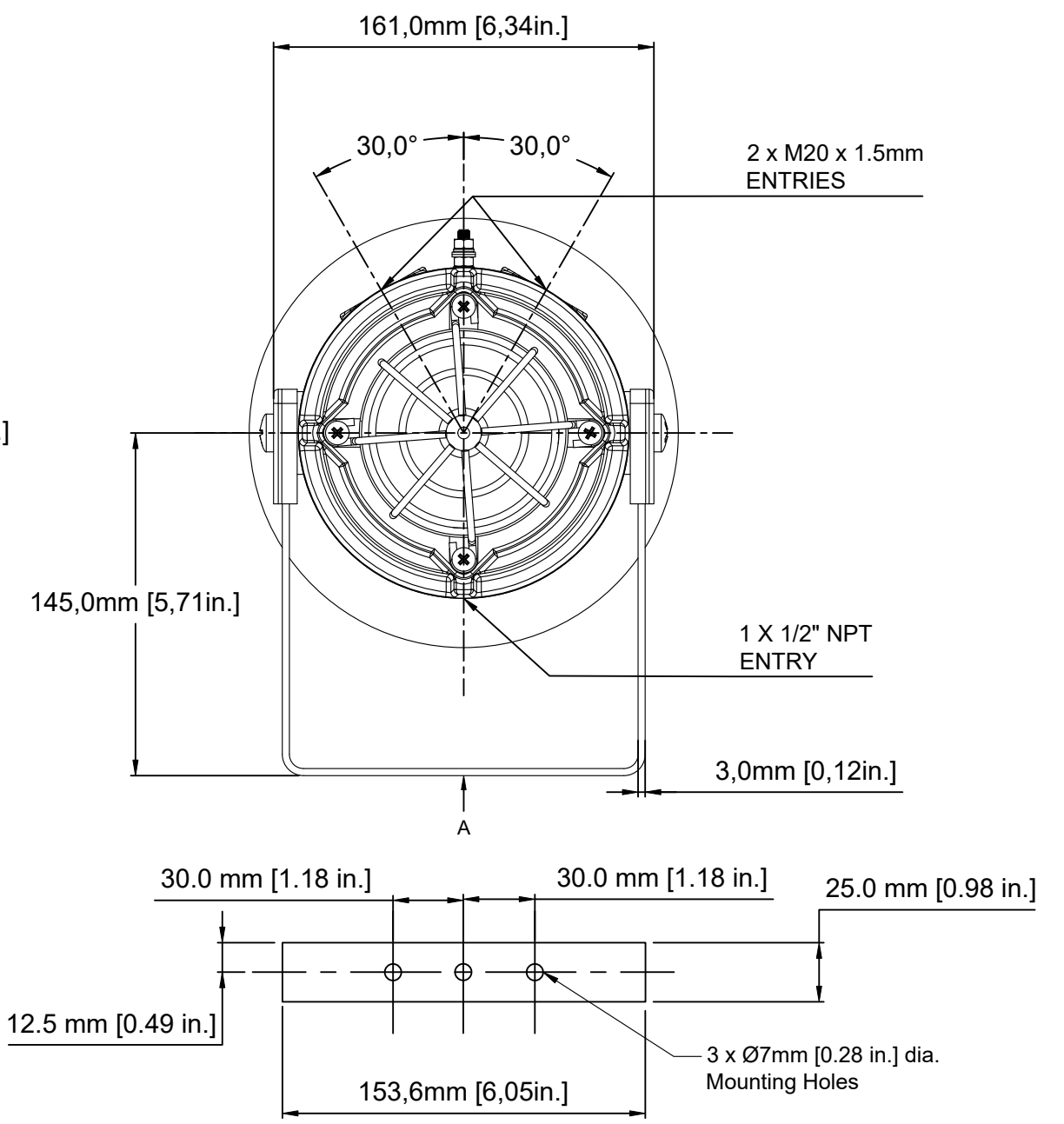


ISSUE	MOD No.	INITIAL/DATE
A		TAKEN FROM SK0361. OPTIONAL EQUIPMENT TAG SHOWN. RSR 22-04-2020
B		ENTRIES SHOWN RSR 14-01-2022



OPTIONAL EQUIPMENT TAG FITTED TO MOUNTING BRACKET



E2S PART NO.	DESCRIPTION	DATA REFERENCE
D1xC1X05F	D1xC1X05F COMBINED 5J BEACON AND S1 SOUNDER (Ex d VERSION)	1.23.050
D1xC1X10F	D1xC1X10F COMBINED 10J BEACON AND S1 SOUNDER (Ex d VERSION)	1.23.060

DRAWING TO BS8888:2000 GEOMETRIC TOLERANCES TO ISO1101:1983 LINEAR DIMENSIONAL TOLS ANGULAR DIMENSIONAL TOLS	DRAWN R. S. RAIT	DATE 22-04-2020	SURFACE FINISH WEIGHT (Kg)	MATERIAL	ALTERNATIVE MATERIAL	THIS DRAWING AND ANY INFORMATION OR DESCRIPTIVE MATTER THEREIN IS COMMUNICATED IN CONFIDENCE AND IS THE COPYRIGHT PROPERTY OF EUROPEAN SAFETY SYSTEMS LTD. NEITHER THE WHOLE OR ANY EXTRACT MAY BE DISCLOSED, LOANED, COPIED OR USED FOR MANUFACTURING OR TENDERING PURPOSES WITHOUT THEIR WRITTEN CONSENT.  EUROPEAN SAFETY SYSTEMS LTD. AS PER LATEST DATE OF ISSUE SHOWN ABOVE	warning signals EUROPEAN SAFETY SYSTEMS LTD IMPRESS HOUSE MANSELL ROAD ACTON LONDON W3 7QH WWW.E2S.COM	ALL DIMENSIONS IN MM IF IN DOUBT, ASK - DO NOT SCALE		A2
	CHECKED B. ISARD	DATE 22-04-2020						TITLE D1xC1 Ex d RANGE - SOUNDER OUTLINE		
	APPROVED R. N. POTTS	DATE 22-04-2020						SCALE 1:2		