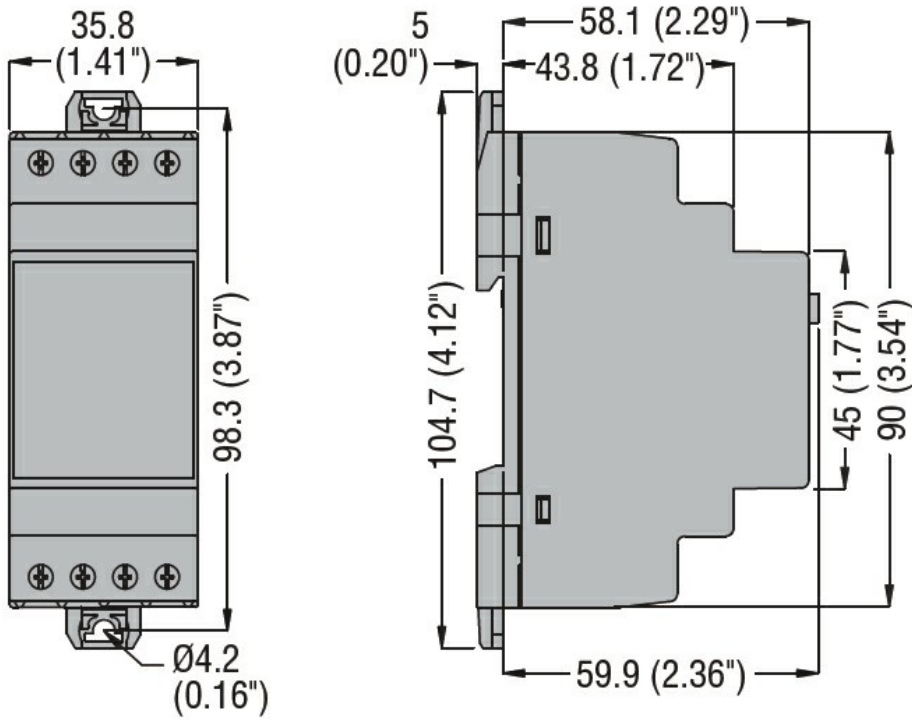


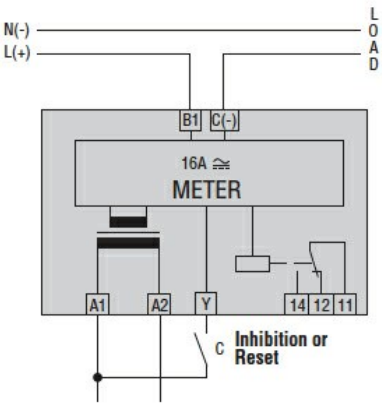
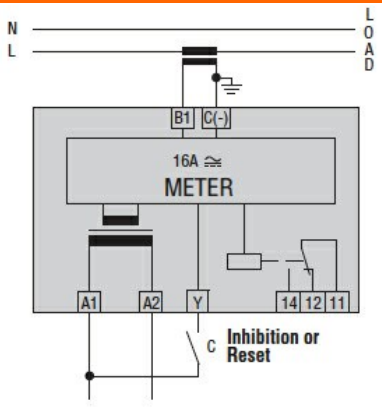


Product designation				Current monitoring relays
Product type designation				PMA20
<b>General characteristics</b>				
Description				AC/DC maximum current monitoring relay
Type of system				Single-phase
<b>Power supply</b>				
Auxiliary supply voltage $U_s$				24...240VAC/DC
Operating voltage range				0.85...1.1 $U_s$
Rated frequency	Hz			50/60 $\pm 5\%$
Power consumption Max	VA			3.2
Power dissipation Max	W			1.6
<b>Control circuit</b>				
Rated current ( $I_e$ )	A			5 or 16
Overload capacity				5 $I_e$ for 1s - 160A for 10ms - Constant 16A
Connection				Direct or by current transformer
Current set-point (% $I_e$ )		Max	%	5...100
Tripping delay			s	0.1...30
Resetting time			s	0.1...30
Resetting hysteresis			%	1...50
Inhibition time			s	1...60
Type of reset				Automatic or manual
External input				Resetting / Inhibition
Repeat accuracy			%	$\pm 1$ (with constant parameters)
<b>Relay outputs</b>				
Number of relays		Nr.	1	
Relay state				Normally energised / De-energised (selectable)
Contact arrangement				1 changeover SPDT
Rated operational voltage AC (IEC)	VAC			250
Maximum switching voltage	VAC			400
IEC Conventional free air thermal current $I_{th}$	A			8
UL/CSA and IEC/EN 60947-5-1 designation				B300

Electrical life (with rated load)			cycles	100000
Mechanical life			cycles	30000000
<b>Functions</b>				
Modular version				2U
Maximum AC/DC current				Yes
Minimum or maximum AC/DC current				No
Minimum and maximum AC/DC current				No
<b>Indications</b>				
Indication				1 green LED for power on / inhibition and 1 red LED for tripping
<b>Connections</b>				
Tightening torque for terminals				
		max	Nm	0.8
		max	lbin	7
Conductor cross section				
	AWG/Kcmil			
		min	AWG	24
		Max	AWG	12
	IEC			
		min	mm <sup>2</sup>	0.2
		Max	mm <sup>2</sup>	4
<b>Insulations</b>				
Rated insulation voltage Ui			V	415
Rated impulse withstand voltage Uimp			kV	4
Operating frequency withstand voltage			kV	2.5
<b>Ambient conditions</b>				
Temperature				
	Operating temperature			
		min	°C	-20
		max	°C	+60
	Storage temperature			
		min	°C	-30
		max	°C	+80
<b>Housing</b>				
Execution (n° of modules)				2
Material				Self-extinguishing polyamide
Mounting				Modular DIN 43880 housing
IEC degree of protection				IP40 on front; IP20 at terminals
Dimensions (W x H x D)			mm	35.8 x 104.7 x 64.9
Weight			g	121
<b>Dimensions</b>				



**Wiring diagrams**



**Certifications and compliance**

Compliance

- CSA C22.2 n° 14
- IEC/EN 60255-5
- IEC/EN 61000-6-2
- IEC/EN 61000-6-3
- UL 508

---

Certificates

cULus

---

EAC

ETIM classification

ETIM 8.0

EC001440 -  
Current  
monitoring relay