



Signal beacons
Ø62mm/2.44"
8LB6GL

Product designation

Product type designation

General characteristics

Diameter	mm - inch	62 / 2.44
Supply voltage (AC)	V	24...230
Colour		Yellow
IEC degree of protection		IP54

Mechanical features

Tightening torque for terminals max	Nm	0.5
Terminals screw		Screw clamp terminals

Conductor section

AWG/Kcmil	max		16
	IEC	max	mm ² 1.5

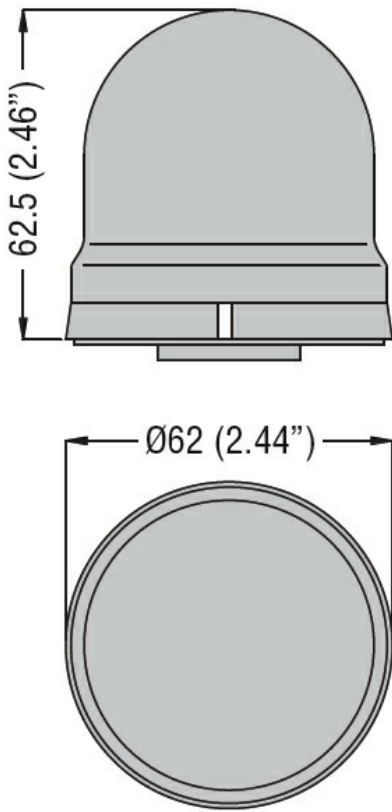
Weight	g	60
--------	---	----

Ambient conditions

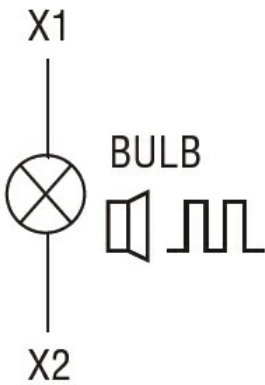
Temperature

Operating temperature	min	°C	-20
	max	°C	+50

Dimensions



Wiring diagrams



Certifications and compliance

Compliance

IEC/EN 60947-1
 IEC/EN 60947-5-1

Certificates

EAC

ETIM classification

ETIM 8.0

EC000232 -
 Optical module
 for signal tower