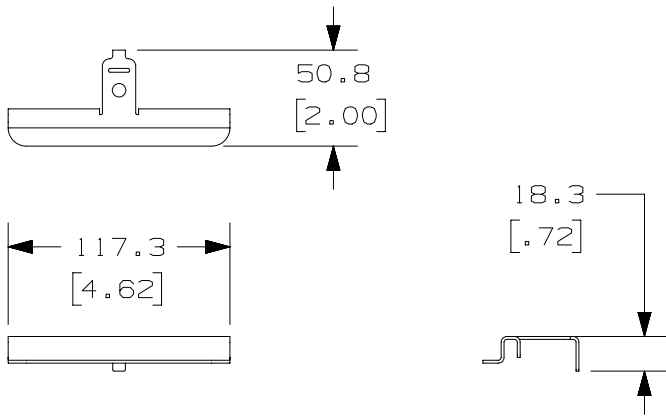
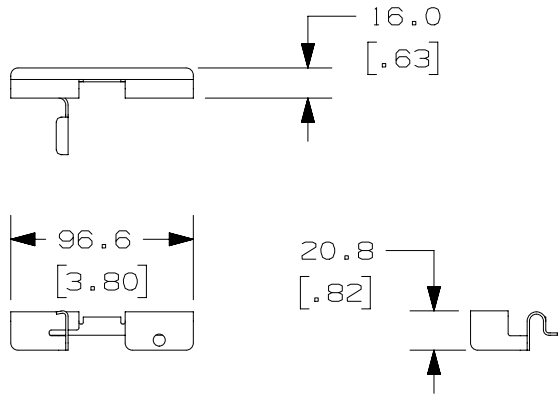


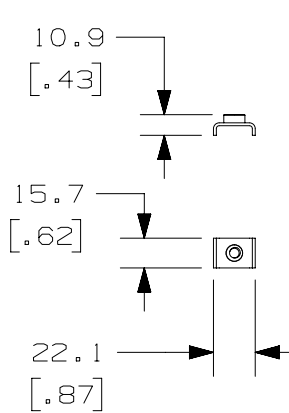
THIS COPY IS PROVIDED ON A RESTRICTED BASIS AND IS NOT TO BE USED IN ANY WAY DETRIMENTAL TO THE INTERESTS OF PANDUIT CORP.



SIDE SPLICE



CENTER SPLICE

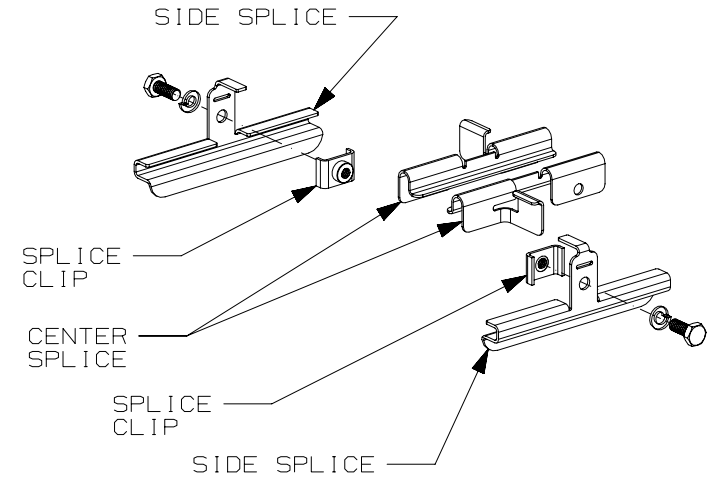


SPLICE CLIP

PANDUIT PART NUMBER	WEIGHT
WGESPL2430**	.48 LBS (217.7 g)

NOTES:

- SEE CURRENT CATALOG FOR ADDITIONAL PART SUFFIXES TO INDICATE PACKAGE QUANTITY.
- THE WYR-GRID SIDE SPLICE 2430 IS USED TO SPLICE TWO 24" OR 30" WIDE WYR-GRID PATHWAYS TOGETHER.
- THE WYR-GRID SIDE SPLICE 2430 PACKAGE CONTAINS THE FOLLOWING EACH STRUT CLIP CONSIST OF:
TWO (2) WYR-GRID SIDE SPLICE
TWO (2) WYR-GRID CENTER SPLICE
TWO (2) WYR-GRID SPLICE CLIP
TWO (2) 1/4 HELICAL SPRING LOCKWASHER
TWO (2) 1/4-20 X 3/4" LONG HEX HEAD CAP SCREW
- ALL DIMENSIONS IN PARENTHESES ARE INCHES.
- THE BLACK VERSION OF THE PART WILL NOT PROVIDE A BONDED CONNECTION BETWEEN PATHWAY SECTIONS.



REV	DATE	BY	CHK	APR	DESCRIPTION	ECN
00B	8-3-15	LEE	DWR		RELEASED TO PRODUCTION	V09000LC
00A	12-08-14	SSP	DWW		DRAWING RELEASED	

TITLE WYR-GRID SPLICE W/ CLIP 24" & 30" WIDE (WGESPL2430**) CUSTOMER DRAWING					
ITEM REVISION NAME 13D373BN/00			PANDUIT		
DATASET FILE NAME 13D373BN_DC/00B					
MATERIAL: STEEL			DRAWING NUMBER: 13D373BN-DC		
THIRD ANGLE PROJECTION					
DRAWN BY SSP	DATE 12-08-14	CHK DWW	SCALE NONE	SHT 1 OF 1	
			SIZE A		

D101000DA/16