

Part number

# CAF 24.29



Hood, C-TYPE series, with 4 pegs, Pg29 frontal cable entry, size "104.27", high construction

Product description	
<b>Product type</b>	Hood
<b>Series</b>	C-TYPE
<b>Closing type</b>	With 4 pegs
<b>Size</b>	Size 104.27
<b>Cable entry</b>	Frontal cable entry with adapter Pg29
<b>Specification</b>	High construction
Technical data	
<b>IP degree of protection</b>	IP65 / IP66 / IP69
Further technical details	
<b>Weight</b>	275,00 g
<b>Operating temperature range (min, max)</b>	-40°C...+125°C

Material properties	
<b>Colour</b>	RAL 7040 grey
<b>RoHs conformity</b>	Compliant with exemption 6(c): copper alloy containing up to 4% lead by weight
<b>China RoHs - EFUP</b>	50
<b>REACH SVHC substances</b>	Yes Lead
<b>SCIP number</b>	15deaf78-e939-4401-a0b0-e2228ca32a03
Approvals / Standards	
<b>Certifications</b>	DNV, BV
<b>UL</b>	ECBT2
<b>cUL</b>	ECBT8
General ordering information	
<b>EAN13 code</b>	8015747006002
Packaging Information	
<b>Sub-packaging weight</b>	0,28 kg
<b>Sub-packaging description</b>	Plastic packaging
<b>Sub-packaging quantity</b>	1 Pcs
<b>Sub-packaging EAN barcode</b>	8015747195683

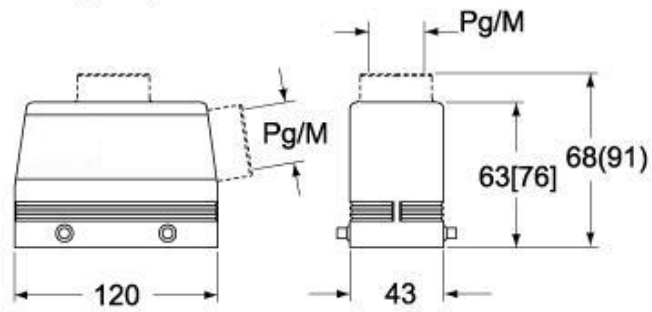
Part number

# CAF 24.29

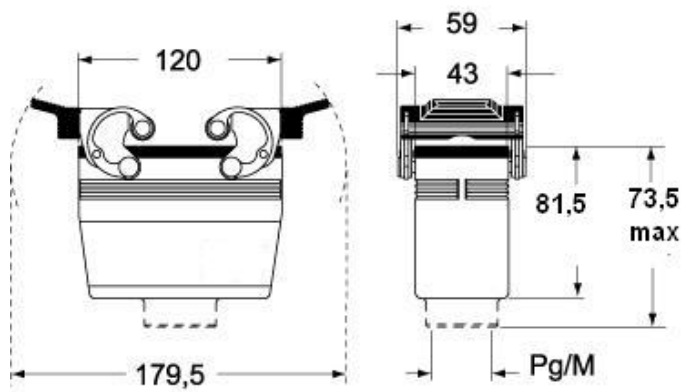


Catalogue drawings

**CHO [CAO] CHV (CAV) - MHO [MAO]  
MHV (MAV)**



**CHV G (CAV G) - MHV G (MAV G) - [MFV G]**



## Notes

Dimensions shown in mm are not binding and may be changed without notice.