



Product designation	Power contactor		
Product type designation	BF26		
<b>Contact characteristics</b>			
Number of poles	Nr.	4	
Rated insulation voltage U <sub>i</sub> IEC/EN	V	690	
Rated impulse withstand voltage U <sub>imp</sub>	kV	6	
Operational frequency	min	Hz	25
	max	Hz	400
IEC Conventional free air thermal current I <sub>th</sub>	A	45	
Operational current I <sub>e</sub>	AC-1 (≤40°C)	A	45
	AC-1 (≤55°C)	A	36
	AC-1 (≤70°C)	A	32
	AC-3 (≤440V ≤55°C)	A	26
	AC-4 (400V)	A	11.5
Rated operational power AC-1 (T≤40°C)	230V	kW	17
	400V	kW	30
	500V	kW	37
	690V	kW	51
Short-time allowable current for 10s (IEC/EN60947-1)	A	210	
Protection fuse	gG (IEC)	A	50
	aM (IEC)	A	32
Making capacity (RMS value)	A	260	
Breaking capacity at voltage	440V	A	208
	500V	A	184
	690V	A	168
Resistance per pole (average value)	mΩ	2	
Power dissipation per pole (average value)	I <sub>th</sub>	W	4
	AC-3	W	1.4
Tightening torque for terminals	min	Nm	2.5
	max	Nm	3
	min	I <sub>bin</sub>	1.8
	max	I <sub>bin</sub>	2.2
Tightening torque for coil terminal	min	Nm	0.8
	max	Nm	1
	min	I <sub>bin</sub>	0.8
	max	I <sub>bin</sub>	0.74
Max number of wires simultaneously connectable	Nr.	2	

Conductor section

AWG/Kcmil			max	6
Flexible w/o lug conductor section			min	mm <sup>2</sup> 2.5
			max	mm <sup>2</sup> 16
Flexible c/w lug conductor section			min	mm <sup>2</sup> 1
			max	mm <sup>2</sup> 10
Flexible with insulated spade lug conductor section			min	mm <sup>2</sup> 1
			max	mm <sup>2</sup> 10

Power terminal protection according to IEC/EN 60529

IP20 when properly wired

**Mechanical features**

Operating position

normal allowable      Vertical plan ±30°

Fixing

Screw / DIN rail 35mm

Weight

g 670

Conductor section

AWG/kcmil conductor section			max	6
-----------------------------	--	--	-----	---

**Operations**

Mechanical life

cycles 20000000

Electrical life

cycles 1600000

**Safety related data**

Performance level B10d according to EN/ISO 13489-1

rated load      cycles 1600000  
mechanical load      cycles 20000000

Mirror contacts according to IEC/EN 60947-4-1

YES

EMC compatibility

yes

**AC coil operating**

AC operating voltage

of 50/60Hz coil powered at 50Hz drop-out

max      %Us 55

**DC coil operating**

DC rated control voltage

V 220

DC operating voltage

pick-up

min      %Us 80  
max      %Us 125

drop-out

min      %Us 10  
max      %Us 40

Average coil consumption ≤20°C

in-rush      W 5.4  
holding      W 5.4

**Max cycles frequency**

Mechanical operation

cycles/h 3600

**Operating times**

Average time for Us control  
in AC

Closing NO	min	ms	8
	max	ms	24
Opening NO	min	ms	5
	max	ms	15
Closing NC	min	ms	9
	max	ms	20
Opening NC	min	ms	9
	max	ms	17

in DC

Closing NC	min	ms	23
	max	ms	28
Opening NC	min	ms	46
	max	ms	56

**UL technical data**

Full-load current (FLA) for three-phase AC motor

at 480V	A	21
at 600V	A	22

Yielded mechanical performance

for single-phase AC motor

110/120V	HP	2
230V	HP	5

for three-phase AC motor

200/208V	HP	7.5
220/230V	HP	7.5
460/480V	HP	15
575/600V	HP	20

General USE

Contactor

AC current	A	45
------------	---	----

**Ambient conditions**

Temperature

Operating temperature

min	°C	-50
max	°C	70

Storage temperature

min	°C	-60
max	°C	80

Max altitude

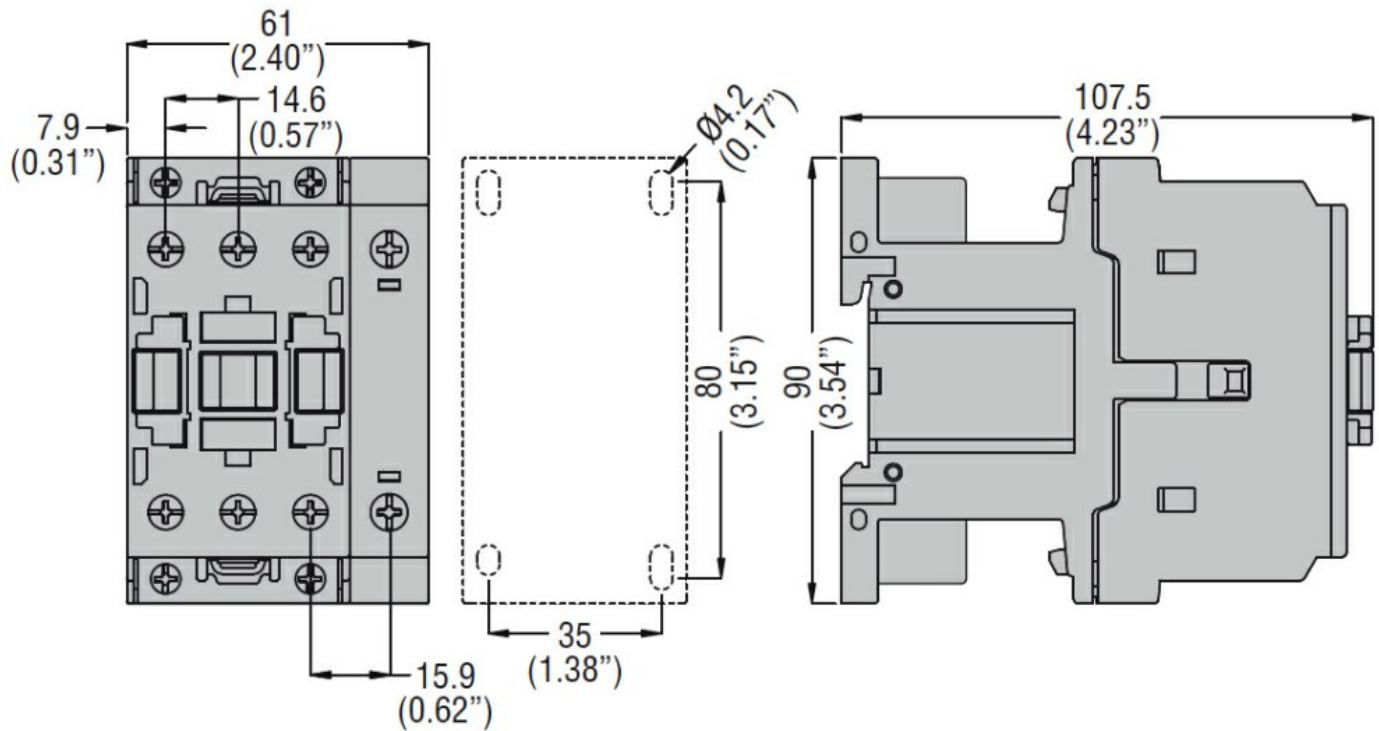
m	3000
---	------

**Resistance & Protection**

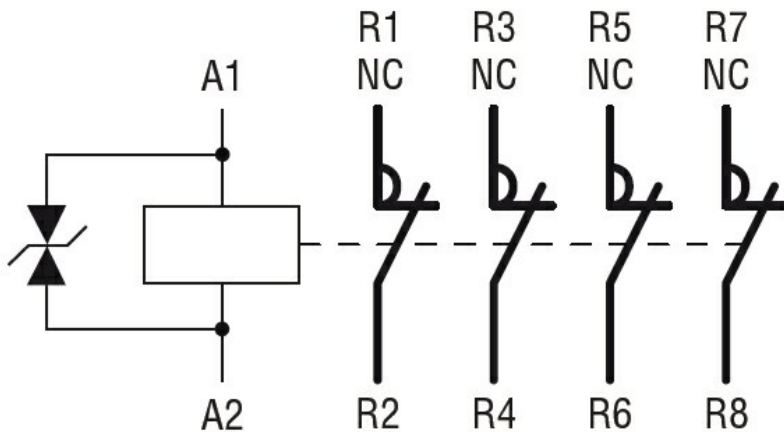
Pollution degree

3

**Dimensions**



### Wiring diagrams



### Certifications and compliance

#### Compliance

CSA C22.2 n° 60947-1

CSA C22.2 n° 60947-4-1

IEC/EN/BS 60947-1

IEC/EN/BS 60947-4-1

UL 60947-1

UL 60947-4-1

#### Certificates

CCC

cULus

EAC

### ETIM classification

ETIM 8.0

EC000066 -  
Power contactor,  
AC switching