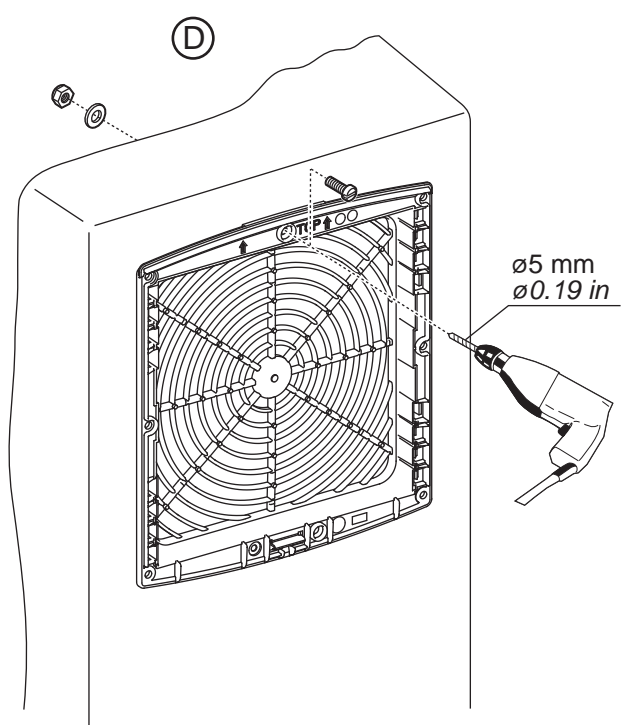
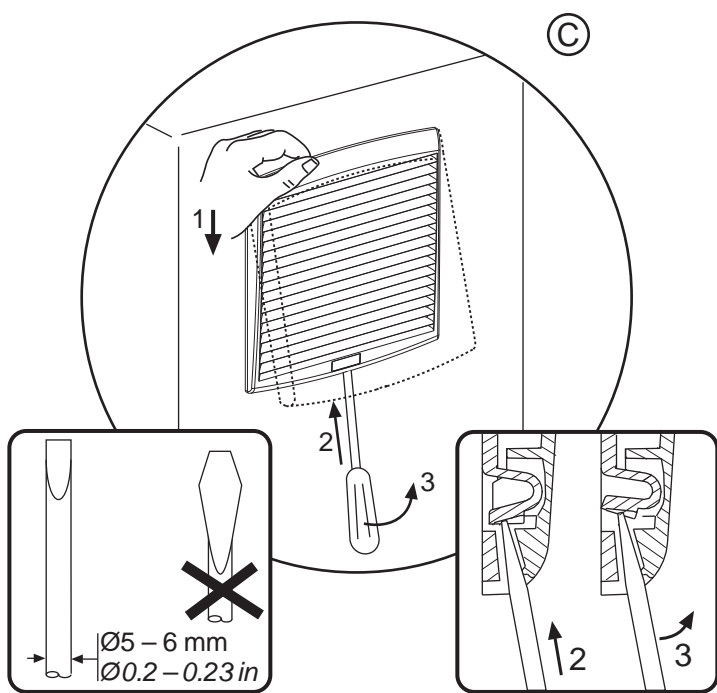
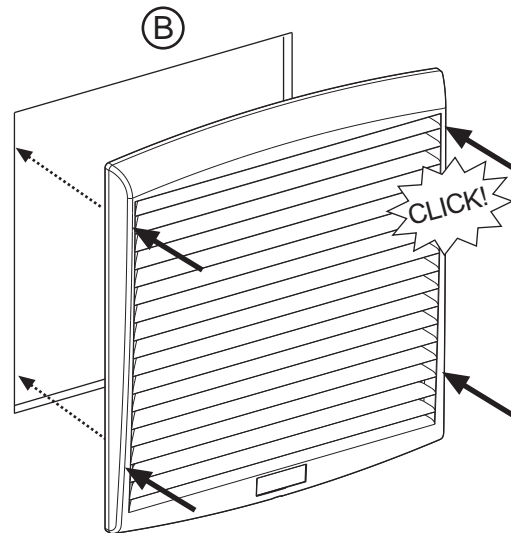
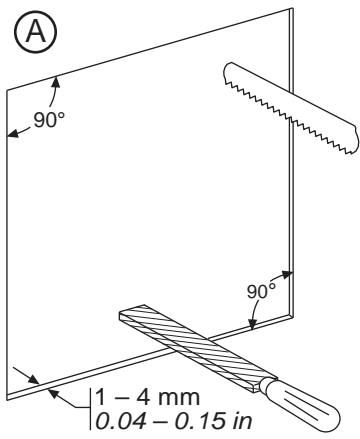


223 mm⁺²₋₀ (8.77 in^{+0.07}₋₀)



223 mm⁺²₋₀ (8.77 in^{+0.07}₋₀)