

## TECHNICAL DATA

Product type Audio connector

Product NO. SL4FXN

### Product Appearance



### Product features

- Quick, simple locking system
- Connect reliably
- Small size of product

**Technical parameters****1. Electrical parameters**

Contacts NO.	4
Rated current	40A rms
Rated voltage	250V
Contact resistance	$\leq 5\text{m}\Omega$
Dielectric strength	500V DC
Insulation resistance	$> 1000\text{M}\Omega$

**2. Mechanical parameters**

Service life	$> 1000$
Wire diameter	$4\text{mm}^2$

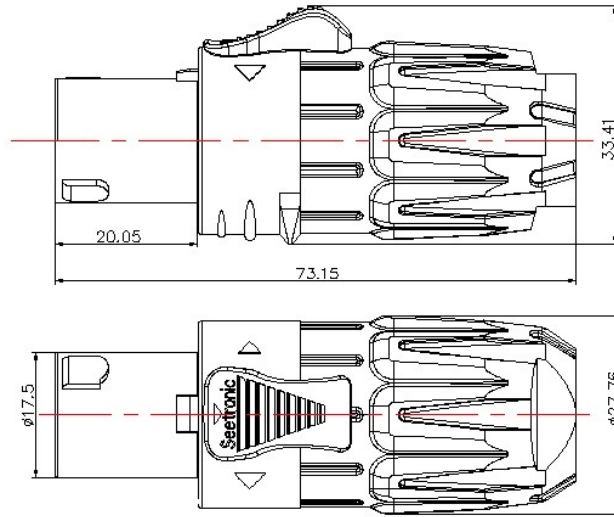
**3. Material and environmental parameters**

Shell	PA66+30%GF
Contacts	Cu alloy
Contact surface	Ag
Flame-retardant grade	UL94-V0
Temperature range	$-30^{\circ}$ to $+80^{\circ}$

**4. Standard**

Standard	IEC61984
----------	----------

## Product Profile



: mm