



WLG12-G137

WLG

SWITCHING AUTOMATION LIGHT GRIDS

SICK
Sensor Intelligence.



Illustration may differ



Ordering information

Type	Part no.
WLG12-G137	1016046

Other models and accessories → www.sick.com/WLG

Detailed technical data

Features

Sensor principle	Photoelectric retro-reflective sensor
Minimum detectable object (MDO)	Parallel beam, 6 mm ... 12.5 mm
Beam separation	12.5 mm
Number of beams	8
Detection height	87.5 mm
Resolution (adjustable)	6 mm ... 12.5 mm ¹⁾

¹⁾ Dependence of the range.

Mechanics/electronics

Wave length	650 nm
Supply voltage V_s	DC 18 V ... 30 V ¹⁾
Power consumption sender	80 mA
Ripple	< 5 V _{pp}
Output current $I_{max.}$	≤ 100 mA
Output load, capacitive	100 nF
Output load, Inductive	1 H
Initialization time	0.6 s
Switching output	8 x PNP ^{2) 3)}
Output mode	Q dark switching ⁴⁾
Teach-in input	PNP
Dimensions (W x H x D)	62 mm x 106 mm x 46.6 mm
Connection type	Cable, 2 m

¹⁾ Typical value.

²⁾ Q.

³⁾ Additional alarm output.

⁴⁾ Q = active, if at least one beam is interrupted, /Q = active, if all of the beams are free.

Housing material	Plastic
Indication	LED
Enclosure rating	IP67
Circuit protection	U _V connections, reverse polarity protected Output Q short-circuit protected Interference pulse suppression
Protection class	II
Weight	230 g
Front screen	PMMA

¹⁾ Typical value.

²⁾ Q.

³⁾ Additional alarm output.

⁴⁾ Q = active, if at least one beam is interrupted, /Q = active, if all of the beams are free.

Performance

Maximum range	1.5 m
Minimum range	≥ 100 mm
Operating range	1.5 m
Response time	Parallel beam, 0.6 ms ¹⁾

¹⁾ With resistive load.

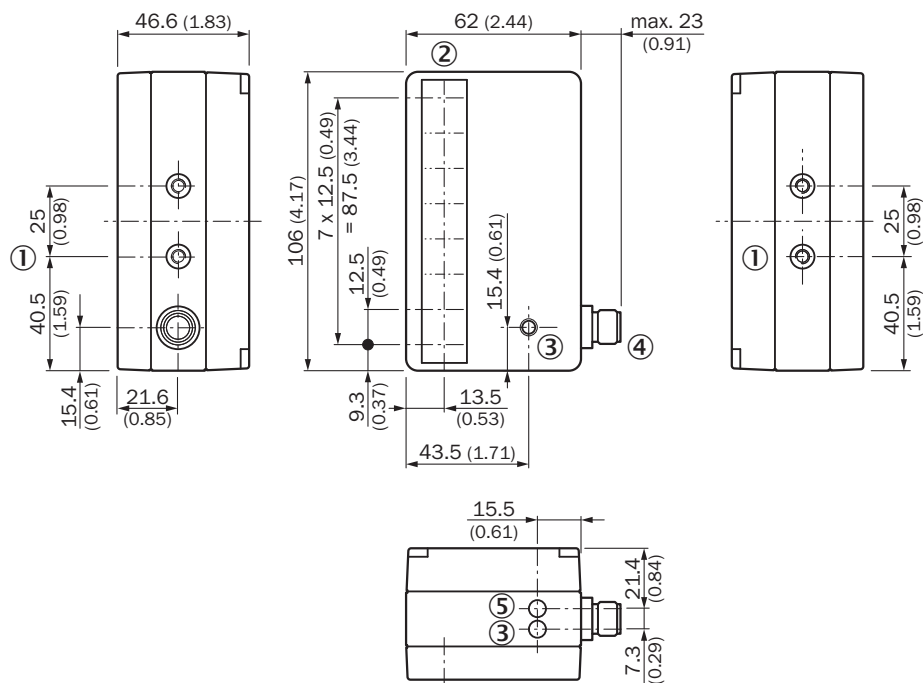
Ambient data

Enclosure rating	IP67
Shock resistance	10 g / DIN EN 60068-2-29 / 16 ms
Vibration resistance	5 g, 10 Hz ... 55 Hz (IEC 68-2-6)
EMC	EN 60947-5-2
Ambient operating temperature	-25 °C ... +55 °C
Ambient temperature, storage	-20 °C ... +70 °C

Classifications

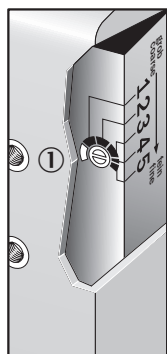
ECl@ss 5.0	27270910
ECl@ss 5.1.4	27270910
ECl@ss 6.0	27270910
ECl@ss 6.2	27270910
ECl@ss 7.0	27270910
ECl@ss 8.0	27270910
ECl@ss 8.1	27270910
ECl@ss 9.0	27270910
ECl@ss 10.0	27270910
ECl@ss 11.0	27270910
ETIM 5.0	EC002549
ETIM 6.0	EC002549
ETIM 7.0	EC002549
UNSPSC 16.0901	39121528

Dimensional drawing (Dimensions in mm (inch))



- ① M5 threaded mounting hole, 6 mm deep
- ② Optic
- ③ Multifunctional display front and top: receive indicator, output weak signal, error during teach-in
- ④ M12 male connector, 5-pin or 2 m cable
- ⑤ Operating indicator

Adjustments



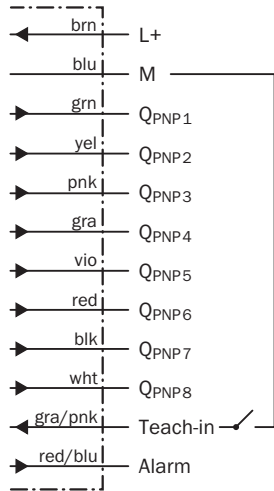
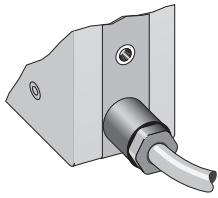
Choice of sensitivity range, dimensions in mm/m (inch)

Potentiometer setting	Resolution	Working range	Reflector
1	> 12.5 mm (0.49)	1.5 m (59.06)	2 x PL80A/PL40A
2	> 10 mm (0.39)	1.2 m (47.24)	2 x PL80A/PL40A
3	> 9 mm (0.35)	1.0 m (39.37)	PL180E01
4	> 7 mm (0.28)	0.8 m (31.50)	PL180E01
5	> 6 mm (0.24)	0.4 m (15.75)	PL180E01

- ① Potentiometer for sensitivity adjustment



Connection type and diagram

Connection type and diagram



Recommended accessories

Other models and accessories → www.sick.com/WLG

	Brief description	Type	Part no.
Mounting brackets and plates			
	<ul style="list-style-type: none"> Description: Mounting bracket Material: Steel Items supplied: Mounting hardware included 	BEF-WN-WLG12	2017567
Reflectors			
	<ul style="list-style-type: none"> Description: Reflector, rectangular, screw connection Dimensions: 40 mm 180 mm Ambient operating temperature: -20 °C ... +65 °C 	PL180E01	1013289

SICK AT A GLANCE

SICK is one of the leading manufacturers of intelligent sensors and sensor solutions for industrial applications. A unique range of products and services creates the perfect basis for controlling processes securely and efficiently, protecting individuals from accidents and preventing damage to the environment.

We have extensive experience in a wide range of industries and understand their processes and requirements. With intelligent sensors, we can deliver exactly what our customers need. In application centers in Europe, Asia and North America, system solutions are tested and optimized in accordance with customer specifications. All this makes us a reliable supplier and development partner.

Comprehensive services complete our offering: SICK LifeTime Services provide support throughout the machine life cycle and ensure safety and productivity.

For us, that is “Sensor Intelligence.”

WORLDWIDE PRESENCE:

Contacts and other locations –www.sick.com