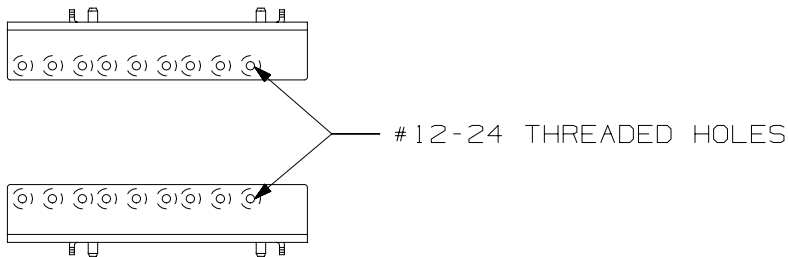
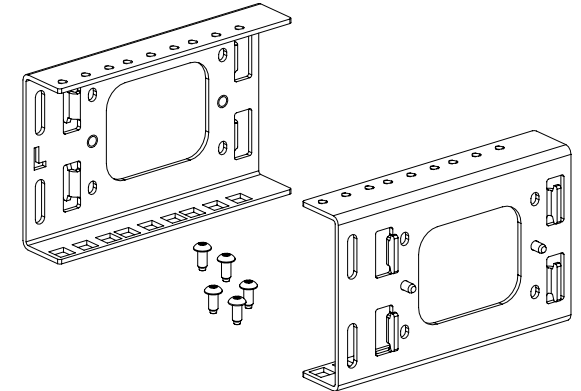
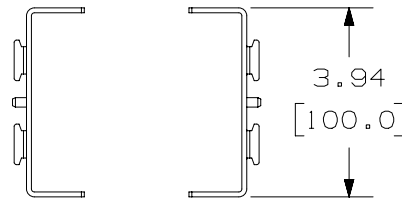
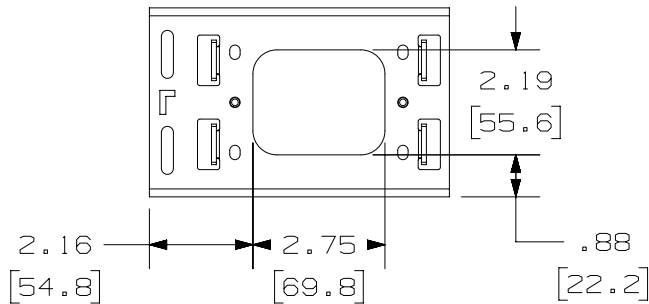
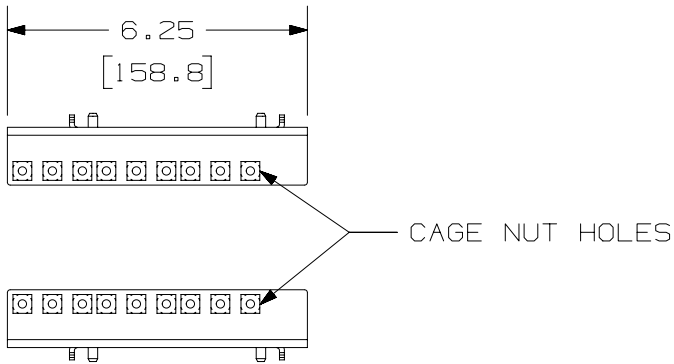
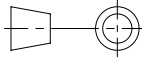


THIS COPY IS PROVIDED ON A RESTRICTED BASIS AND IS NOT TO BE USED IN ANY WAY DETRIMENTAL TO THE INTERESTS OF PANDUIT CORP.

NOTES:

1. VISIT OUR ON-LINE CATALOG AT WWW.PANDUIT.COM FOR A LIST OF CURRENT PARTS APPLICABLE FOR USE WITH THIS PRODUCT.
2. DIMENSIONS IN [] ARE METRIC.
3. ALL MATERIALS AND COMPONENTS USED MEET THE MATERIAL RESTRICTIONS OF RoHS (EUROPEAN DIRECTIVE 2011/65/EU ON THE RESTRICTION OF HAZARDOUS SUBSTANCES) AS PROPOSED BY THE RoHS TECHNICAL ADAPTATION COMMITTEE.
4. WEIGHT: 1.6 LB [0.73 kg]
5. PART INCLUDES:
 1- PAIR ADDITIONAL E-RAILS (LEFT/RIGHT)
 5- M5 X 12mm BUTTON HEAD SCREWS



PART NUMBER		WME3ERAIL				
TITLE		ADDITIONAL E-RAILS FOR WME3				
		CUSTOMER DRAWING				
ITEM REVISION NAME		00490EAI/00				
DATASET FILE NAME		00490EAI_DC/00A				
		THIRD ANGLE PROJECTION				
MATERIAL		STEEL				
		DRAWING NUMBER				
		00490EAI-DC				
00A	5-19-20	TWV	KZU	BETL	RELEASED TO PRODUCTION	M09000L0
REV	DATE	BY	CHK	APR	DESCRIPTION	ECN

A-SIZE CUSTOMER