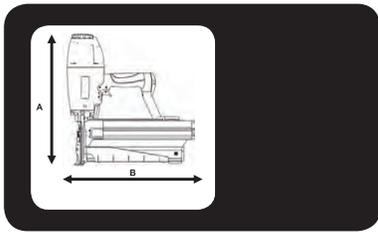




haubold®

PN 29130





PN29130

| | | |
|--|--|---|
| | | B = 414 mm A = 429 mm C = 124 mm |
| | | |

| |
|--------------------------------------|
| <p>Min. 5,0 bar Max. 8,3 bar</p> |
| <p>2,44 l (6 bar) / </p> |
| <p>Ps max. = 8,3 bar</p> |

| | |
|---|--|
| <p>EN 12549+EN ISO 4871</p> | <p>L_{WA}, 1s = 105 dBA L_{pA}, 1s = 92 dBA L_{pA}, 1s, 1M = 92 dBA</p> |
| <p>EN 12096 : 1997</p> <p>ISO 8662-11</p> | <p>Vibration = 4,2 m/s</p> |

| | |
|--|--|
| <p>3 x = 120</p> <p>Haubold Staples BS29000</p> | |
|--|--|

| | |
|--|--|
| | |
|--|--|



| | |
|---|---|
|  | <p>Sequential trigger actuation/ Einzelauslösung/ enkelschots/ Déclenchement du tir - mode séquentiel/ Funcionamiento secuencial "en continuo"/ Gatilho de actuação sequencial/ funzionamento sequenziale (colpo a colpo)/ Enkeltskuds aftrækker/ Enkelskott/ Enkeltskuds avtrekker/ Kertalaukaisu/ Üksiklasu meetodil töötamine/ Uruchromienie spustu sekwencyjne/ Sekvenční spoušť/ Egyes lövés (szakaszosan működtetett elsütő billentyűvel)/ Posamezno proženje/ Kontaktirajte singl / Последовательная активация при нажатии на курок/ Sekvenčná aktivácia spúšte/ (التشغيل بالزر التسلسلي) المقيد Nuoseklusis paleidimo mechanizmas/ Sekvenciālās palaišanas iedarbināšana Raðkveikjvirkjun</p> |
|---|---|

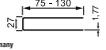
Model: PN 29130 Full Sequential Actuation No. 575793





PN29130
PNEUMATIC STAPLER
Code: 575793
Trigger actuation: Full Sequential
ITW Befestigungssysteme GmbH, Carl-Zeiss-Str. 19 - 30066 Hemmingen, Germany

FASTENER SPECIFICATION
haubold BS29000



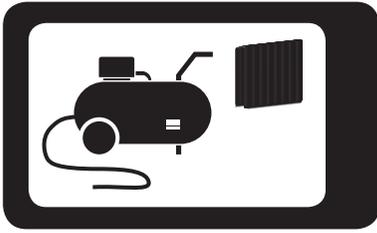




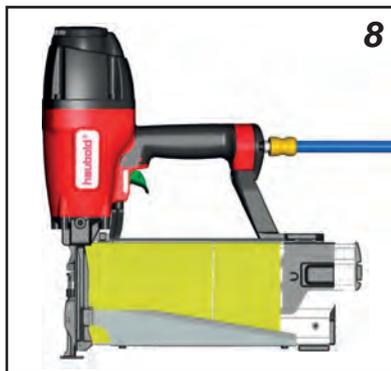
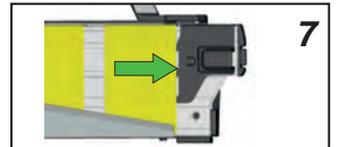
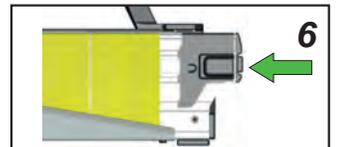
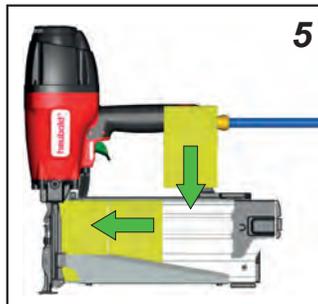
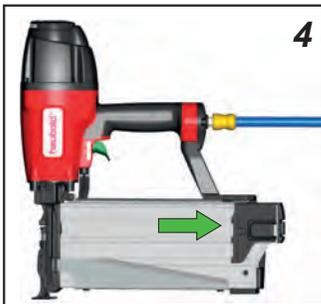
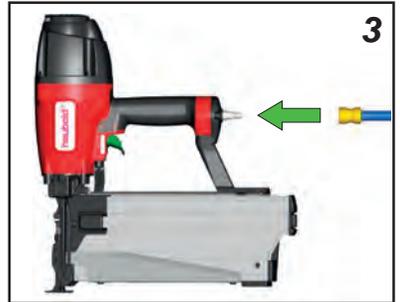
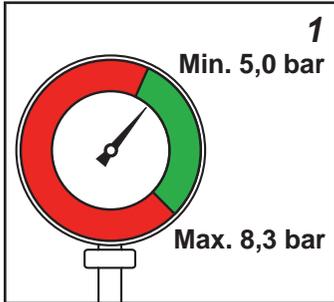
| | | | | | |
|--|--|--|---|---|---|
|  |  |  |  |  |  |
| No. 014748 + 575796 | | No. 039932 | No. 014121 | | |

Accessories

| | | |
|---|---|---|
|  |  |  <p>6 bar</p> |
| No. 151299 / No. 576216 0,5 l oil / 1 l oil | No. 574494 Hanger | No. 115116 Pressure reducer |

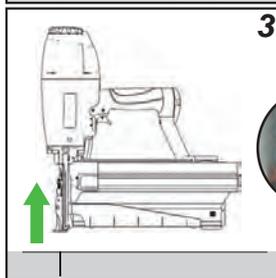
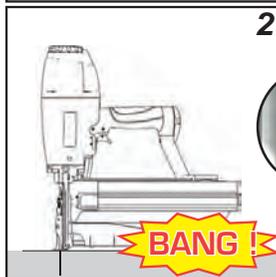
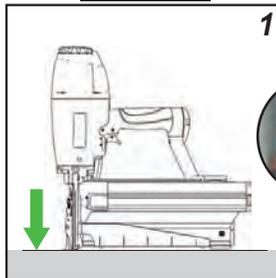


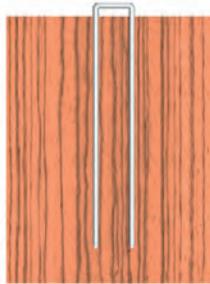
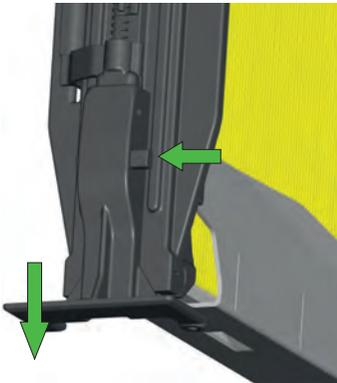
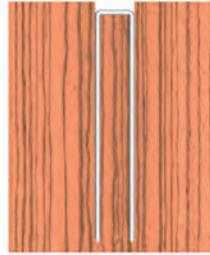
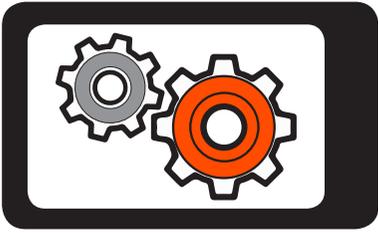
014 748

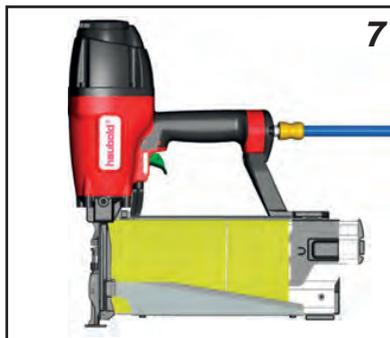
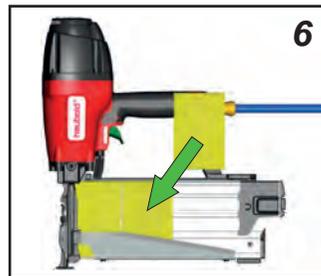
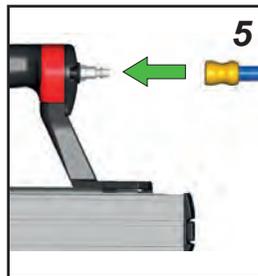
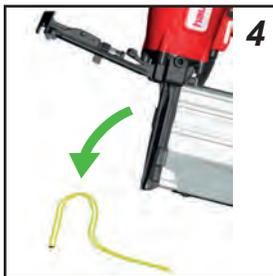
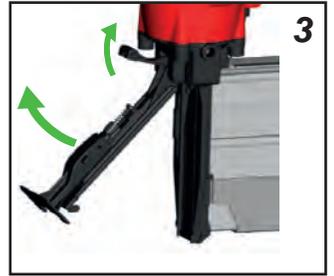
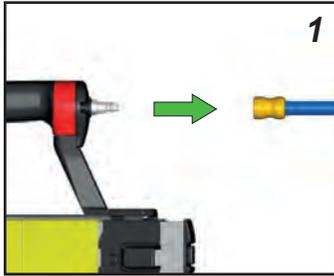
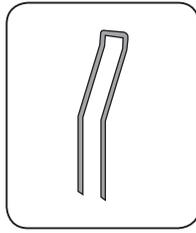
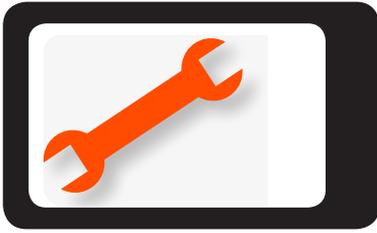




014 748







YY/WW....



YY= Year of manufacture
WW = Week of manufacture

**Resting position/ Ruheposition/ Position de repos/ Ruststand/
Posición de descanso/ Posizione di riposo/ Posição de des-
canso/ Pozycja spoczynku/ Klidová poloha/ Nyugalmi állapot/
Положение в нерабочем состоянии/ Θέση αδράνειας/ Hviles-
tilling/ Viloläge/ Hvileposisjon/ Leroasento/ Položaj mirovanja/
Pokojuvá poloha/ Položaj mirovanja/ وضع السكون / Ramybės
padėtis/ Ooteasend/ Miera stāvoklis/ Hvíldarstaða**



haubold[®]

ITW CONSTRUCTION PRODUCTS EUROPE
Code 575796 (05/2019)
www.spitpaslode.com