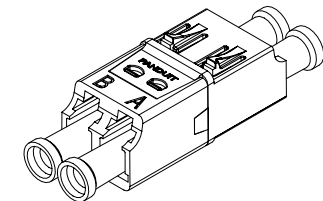
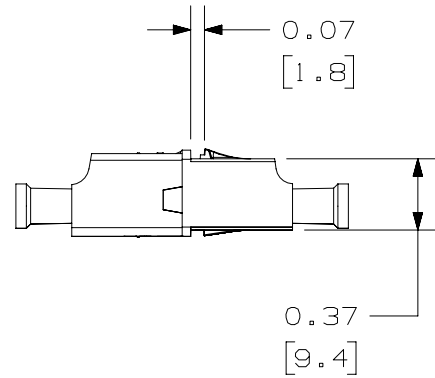
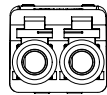
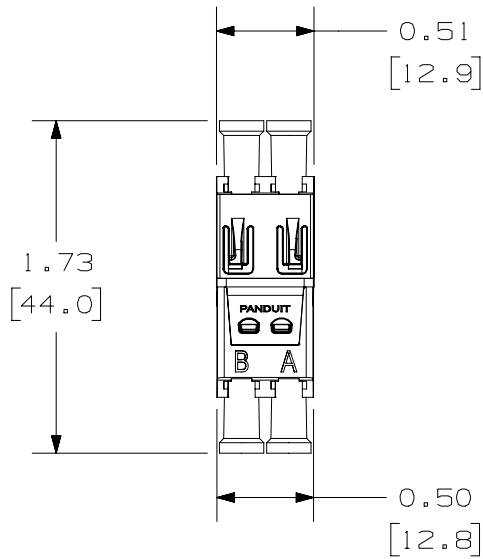


THIS COPY IS PROVIDED ON A RESTRICTED BASIS AND IS NOT TO BE USED IN ANY WAY DETRIMENTAL TO THE INTERESTS OF PANDUIT CORP.

PANDUIT P/N	WEIGHT	SPLIT SLEEVE TYPE
FADSLCZ***-L	.29 lbs/50 Pcs [ 132.0 g/50 Pcs ]	ZIRCONIA

NOTES:

- SEE CURRENT CATALOG FOR PART NUMBER SUFFIXES TO INDICATE COLOR AND/OR PACKAGE QUANTITIES.
- SEE CATALOG FOR COMPLETE LIST OF PARTS APPLICABLE FOR USE WITH THIS PART.
- MATERIALS:
  - ADAPTER HOUSING: PLASTIC
  - SPLIT SLEEVE: SEE TABLE
  - DUST CAP: PLASTIC
- COMPLIANT WITH TIA/EIA-604-10 (FOCIS-10) AND TIA/EIA-568B.3
- DIMENSIONS IN BRACKETS ARE METRIC [ mm ]



PART NUMBER		SEE TABLE	
TITLE			
LC SENIOR/SENIOR MINI DUPLEX FIBER OPTIC ADAPTER			
CUSTOMER DRAWING			
ITEM REVISION NAME		M00948A1/03	
DATASET FILE NAME		M00948A1_DC/03A	
UNLESS OTHERWISE SPECIFIED, DIMENSIONAL TOLERANCES ARE: IN [ mm ]			
.x ± .xxx ± .010 [ .3 ] .xx ± .03 [ .8 ]      ANGLES ±			
DRAWING NUMBER:		00948-19	
DRAWN BY	DATE	CHK	SCALE
MC	06-25-03	RFM	NONE
SHT 1 OF 1		A	

REV	DATE	BY	CHK	APR	DESCRIPTION	ECN
03A	02-07-23	SAT	JSP	KYLM	B. UPDATED P/N TABLE.	00948-18
02A	2/15/19	JSP	WJM	AW	A. UPDATED PART.	00948-18
04	10-12-16	SAT	WJM	TMK	RELEASED TO PRODUCTION	00948-18

D10100DA/14