



Add-on blocks and accessories
- 1 changeover contact for P1MBU
P1X1011UH
1 C/O
0.5
IEC/EN/BS
60947-5-1

Product designation

Product type designation

Number of poles

Number of DIN modules

Compliance

Electrical features

| | | |
|--------------------------------------|-----|----------|
| Rated impulse withstand voltage Uimp | kV | 4 |
| Rated operational voltage AC (IEC) | VAC | 400 |
| Rated current (In) | A | 6 |
| Conductivity | | 24V 10mA |

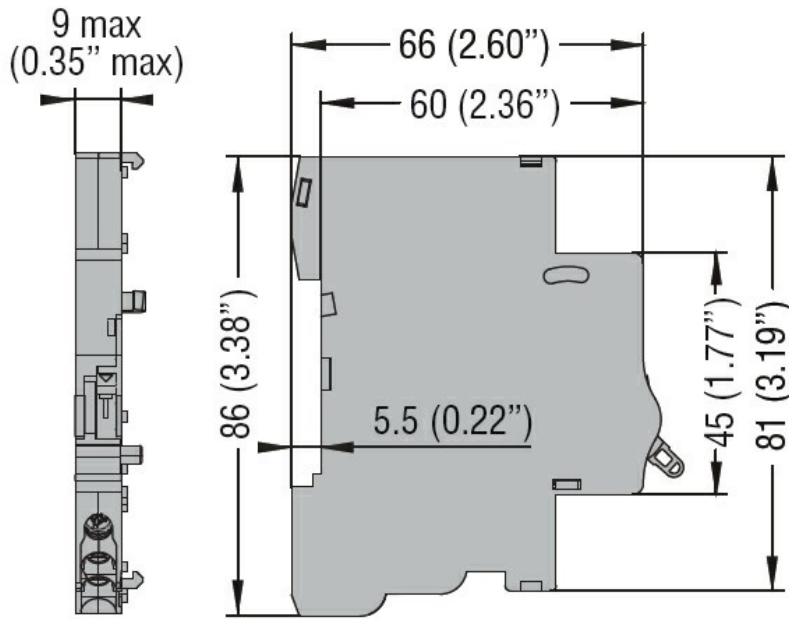
Ambient conditions

| | | | |
|-----------------------|-----|----|-----|
| Operating temperature | min | °C | -40 |
| | max | °C | +70 |
| Storage temperature | min | °C | -40 |
| | max | °C | +80 |

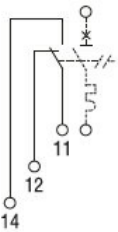
Mechanical features

| | | | |
|---------------------------------|------------------|-------------------|-----------------|
| Operating position | normal allowable | Vertical plan Any | |
| Tightening torque for terminals | min | Nm | 1 |
| | max | Nm | 1 |
| | min | lbin | 0.7 |
| | max | lbin | 0.7 |
| Terminals tool | | PH2 | |
| Conductor section | IEC | | |
| | max | mm ² | 1x 2.5 - 2x 1.5 |
| Weight | | g | 40 |

Dimensions



Wiring diagrams



Certifications and compliance

Compliance

IEC/EN 60947-5-1. UR "UL Recognized" per Canada e USA.

Certifications

cULus
 EAC

ETIM classification

ETIM 8.0

EC000041 -
 Auxiliary contact
 block