

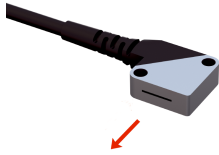
LL3-TS05

LL3

FIBERS

SICK
Sensor Intelligence.

Ordering information



Type	Part no.
LL3-TS05	5334043

Other models and accessories → www.sick.com/LL3

Detailed technical data

Features

Device type	Fibers
Functional principle	Through-beam system
Functional principle detail	Consisting of a sender and a receiver
For fiber-optic sensor	GLL170(T), WLL180, WLL24 Ex
Fiber length	2,000 mm
Fiber material	Polymethylmethacrylat (PMMA)
Jacket material	Polyethylen (PE)
Fiber head material	Stainless steel
Outer diameter, fiber-optic cable connection	2.2 mm
Fiber-optic cable cuttable	✓
Fiber-optic head design	Flat type, 90° deflection, Array
Array width	4 mm
Fiber arrangement	Multi-fiber – linear arrangement
Core structure	16 x Ø 0,265 mm Multi-fiber – linear arrangement
Compatibility with infrared light (1,450 nm)	No
Application	High flexible (static), Area detection
Highly flexible/elastic fibers (bend radius 1–4 mm)	No
Adapter end sleeves required	No
Minimal object diameter	0.2 mm ¹⁾
Compatibility tip adapters	No
Special features	Small fiber optic cable cell

¹⁾ Minimum detectable object was determined at optimum measuring distance and optimum setting.

Mechanics/electronics

Bend radius, fibre-optic cable	5 mm
Ambient operating temperature	-55 °C ... +70 °C

Classifications

ECLASS 5.0	27270905
-------------------	----------

ECLASS 5.1.4	27270905
ECLASS 6.0	27270905
ECLASS 6.2	27270905
ECLASS 7.0	27270905
ECLASS 8.0	27270905
ECLASS 8.1	27270905
ECLASS 9.0	27270905
ECLASS 10.0	27270905
ECLASS 11.0	27270905
ECLASS 12.0	27270905
ETIM 5.0	EC002651
ETIM 6.0	EC002651
ETIM 7.0	EC002651
ETIM 8.0	EC002651
UNSPSC 16.0901	39121528

Sensing ranges with WLL180T

Operating mode 16 μs	210 mm
Operating mode 70 μs	560 mm
Operating mode 250 μs	1,020 mm
Operating mode 2 ms	1,780 mm
Operating mode 8 ms	2,650 mm
Note	Sensing ranges related to fiber-optic sensors with type of light: visible red light

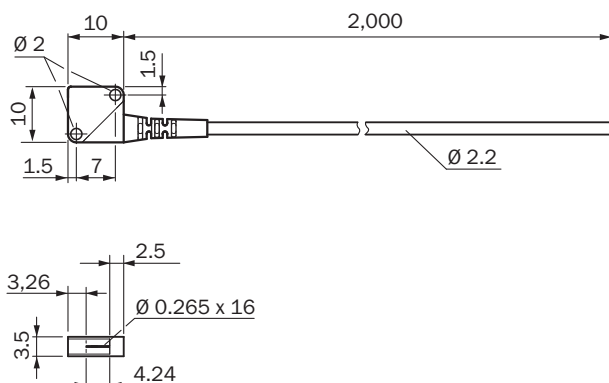
Sensing ranges with GLL170

Operating mode 250 μs	86 mm
---	-------

Sensing ranges with GLL170T

Operating mode 50 μs	480 mm
Operating mode 250 μs	804 mm

Dimensional drawing (Dimensions in mm (inch))



SICK AT A GLANCE

SICK is one of the leading manufacturers of intelligent sensors and sensor solutions for industrial applications. A unique range of products and services creates the perfect basis for controlling processes securely and efficiently, protecting individuals from accidents and preventing damage to the environment.

We have extensive experience in a wide range of industries and understand their processes and requirements. With intelligent sensors, we can deliver exactly what our customers need. In application centers in Europe, Asia and North America, system solutions are tested and optimized in accordance with customer specifications. All this makes us a reliable supplier and development partner.

Comprehensive services complete our offering: SICK LifeTime Services provide support throughout the machine life cycle and ensure safety and productivity.

For us, that is “Sensor Intelligence.”

WORLDWIDE PRESENCE:

Contacts and other locations –www.sick.com