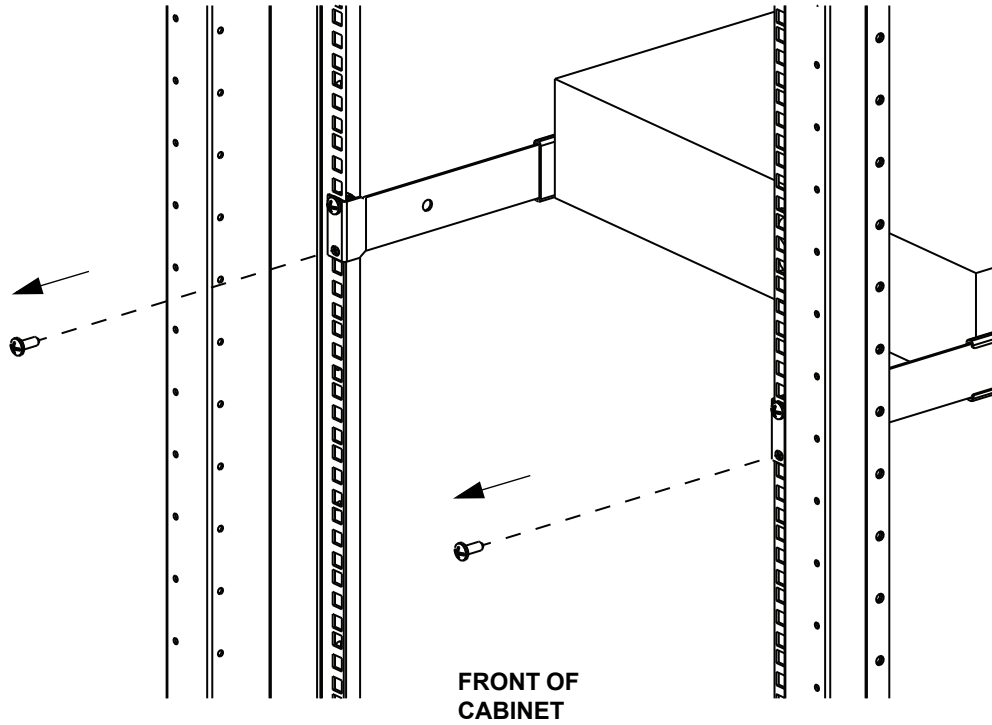


DIFBA3003S00S
*(installed in Net-Access
S-Type Server Cabinet)*

Cisco Nexus 93128 Switch
(reference)

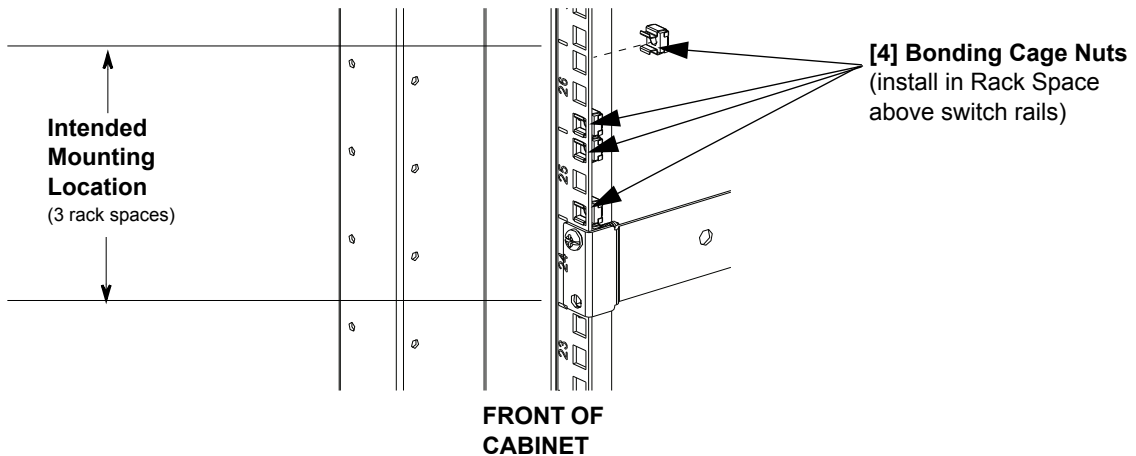
Prepare Switch for Ducting Installation

-Remove bottom screws from front of switch rails and discard.



Install Cage Nuts

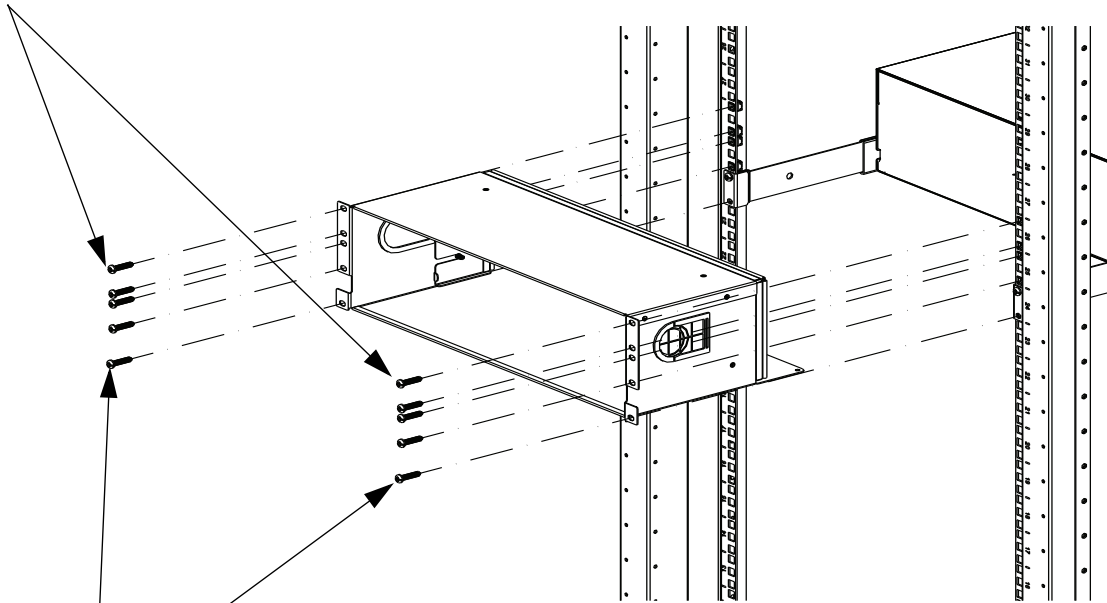
-Insert [4] Bonding cage nuts per equipment rail in rack space immediately above switch rails, at front of cabinet



Install Switch Ducting

- Secure DIFBA3003S00S switch ducting to equipment rails with [8] new screws and the two bottom screws taken out earlier.
- Do not tighten [2] bottom screws --- Leave slightly extended for Front Perforated Plate installation (see page 4)

[8] Bonding Screws



FRONT OF CABINET

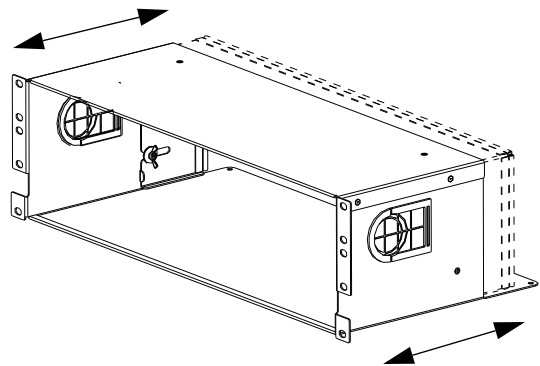
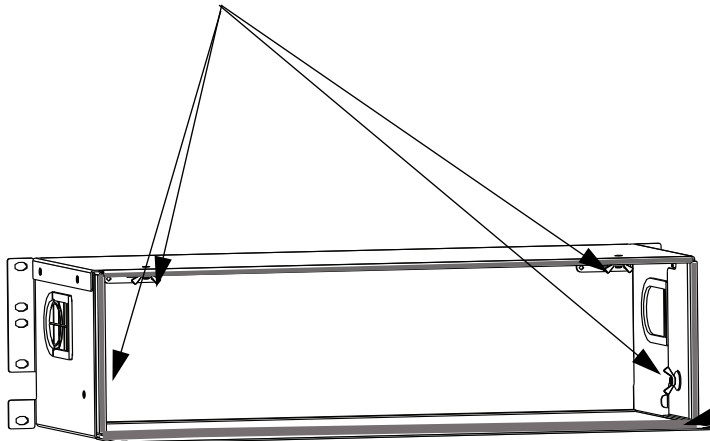
[2] Bottom Screws

Provided in kit (with matching cage nuts if needed)
(leave slightly extended)

Adjust Switch Ducting

- Use [4] wing nuts and tooth washers to adjust position of switch duct seals
- Install foam seal (if necessary) to seal ducting to bottom of switch

[4] Wing Nuts and Tooth Washers

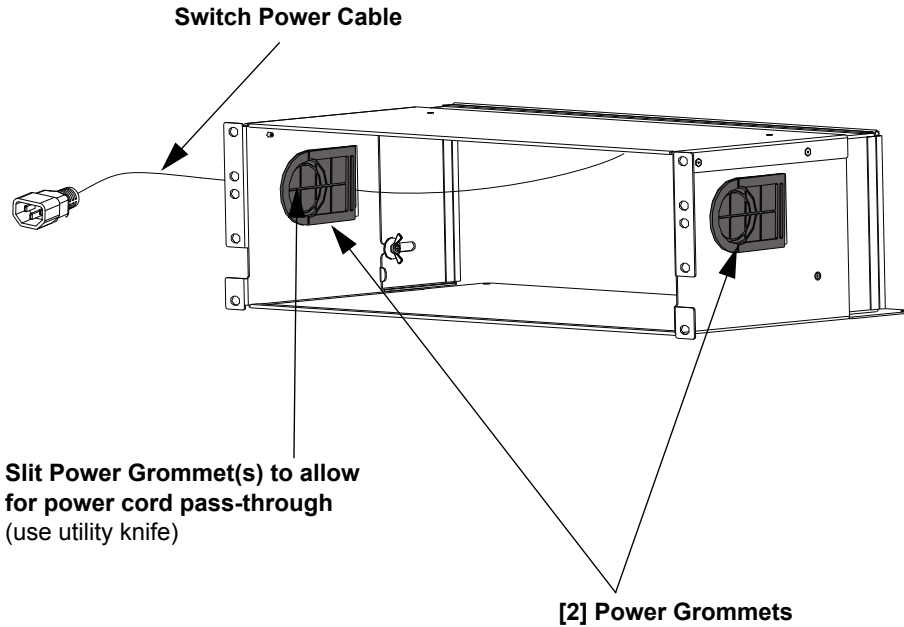


Install Foam Seal
(if necessary)

For Technical Support: www.panduit.com/resources/install_maintain.asp

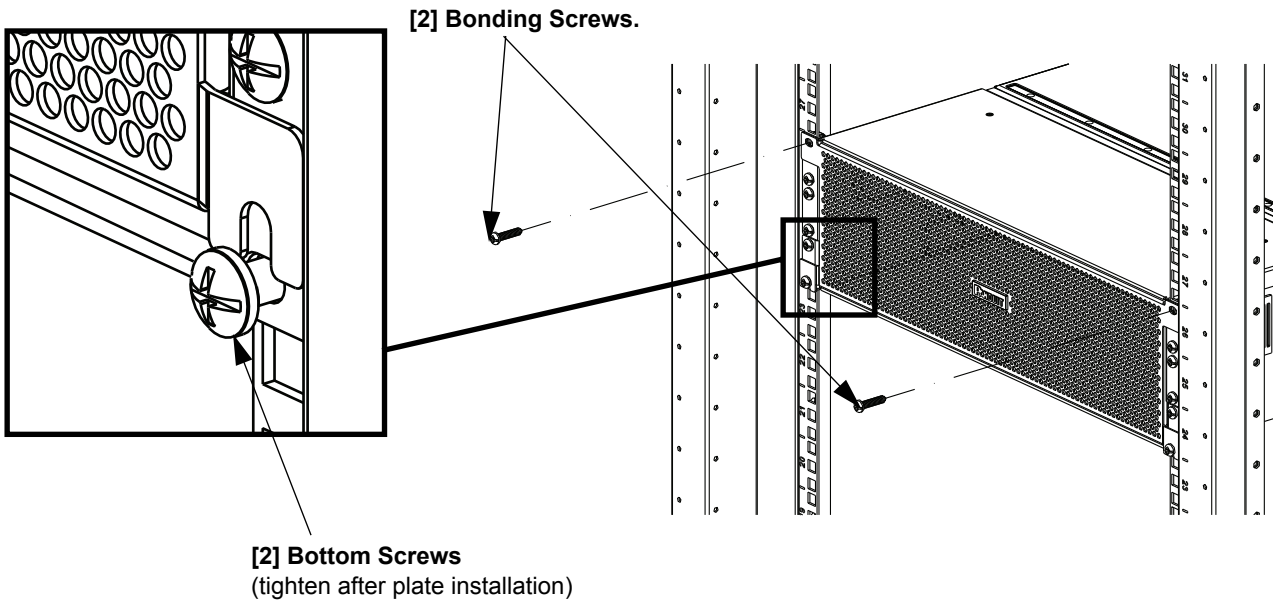
Routing of Switch Power Cable

- Route switch power cable through power grommet (located on either side of DIFBA3003S00S).
- Use utility knife to slit power grommet(s) along guide lines, as needed, to allow for power cord pass-through



Install Front Perforated Plate

- Slide slots at bottom of Front Perforated Plate over [2] bottom screws
- Secure top of Front Perforated Plate to switch ducting and equipment rails with [2] bonding screws, then tighten [2] bottom screws



For Instructions in Local Languages
and Technical Support:

www.panduit.com/resources/install_maintain.asp

PANDUIT
www.panduit.com

E-mail:
techsupport@panduit.com
Fax:
(866)405-6654