

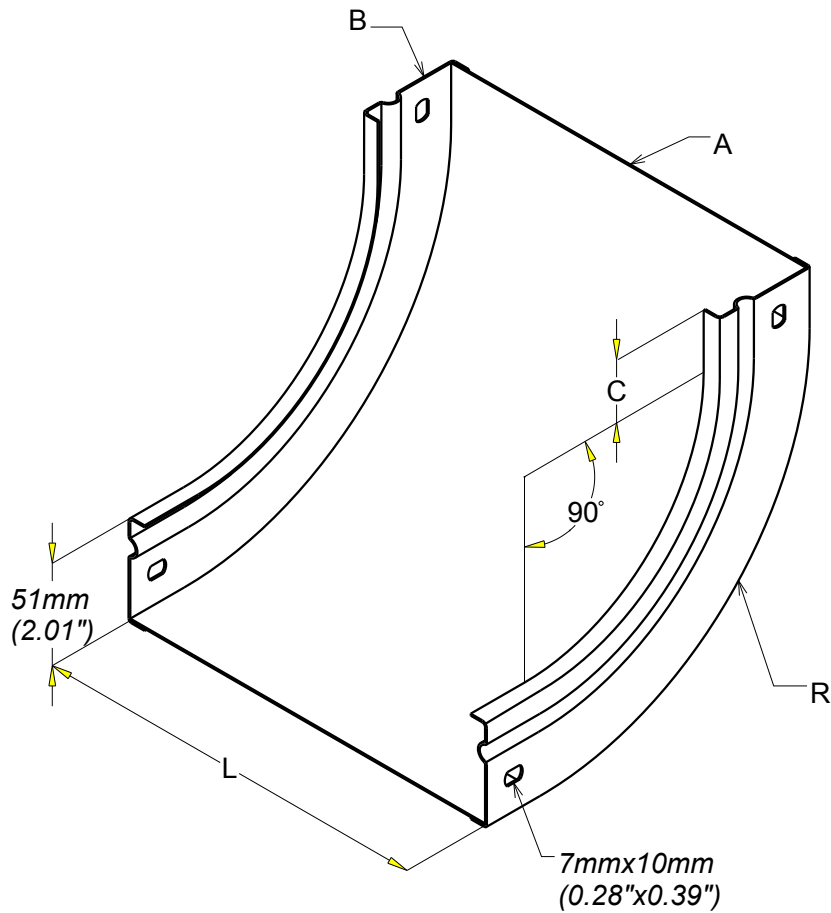
CHT PL CONC P31 IR H50 50 à 600
 Inside riser P31 50x50 to 600

GC
 HDG

legrand | CABLE
 MANAGEMENT

FT0531-4

05 18



REF	CODE	L /L (mm) (inch)	A /A (mm) (inch)	B /B (mm) (inch)	C /C (mm) (inch)	R /R (mm) (inch)
P31 IR 50x50	342 979	50 (1.97")	0.8 (0.032")	1 (0.039")	30 (1.18")	70 (2.75")
P31 IR 50x75	342 838	75 (2.92")	0.8 (0.032")	1 (0.039")	30 (1.18")	151 (5.94")
P31 IR 50x100	342 980	100 (3.94")	0.8 (0.032")	1 (0.039")	30 (1.18")	151 (5.94")
P31 IR 50x150	342 981	150 (5.91")	0.8 (0.032")	1 (0.039")	30 (1.18")	151 (5.94")
P31 IR 50x200	342 982	200 (5.91")	0.8 (0.032")	1 (0.039")	30 (1.18")	151 (5.94")
P31 IR 50x300	342 983	300 (7.87")	1 (0.039")	1 (0.039")	30 (1.18")	151 (5.94")
P31 IR 50x400	342 984	400 (11.81")	1 (0.039")	1 (0.039")	50 (1.97")	201 (7.91")
P31 IR 50x500	342 985	500 (19.69")	1 (0.039")	1 (0.039")	50 (1.97")	201 (7.91")
P31 IR 50x600	342 986	600 (23.62")	1 (0.039")	1 (0.039")	50 (1.97")	201 (7.91")

Material	Standard	Finishes	Standard
DC 01	EN 10 130	HDG	Class 6 according to IEC 61537

Propriété exclusive de LEGRAND, ne peut être ni copié, ni transmis à des tiers sans autorisation écrite.

Exclusive property of LEGRAND shouldn't be reproduced or transmitted to any people without written authorization