



Rotary cam  
switches  
GN315

Product designation

Product type designation

**General characteristics**

Switching diagram

N° of elements

Mounting form

92 - ON/OFF  
switch 4 poles

2

U - Front  
mounting with  
black handle

**Contact characteristics**

Rated insulation voltage  $U_i$

IEC/EN	V	690
UL/CSA	V	600

Rated impulse withstand voltage  $U_{imp}$

kV	8
----	---

Conventional free air thermal current  $I_{th}$

IEC/EN	A	315
UL/CSA	A	255

Rated operational voltage

V	690
---	-----

Rated operational impulse voltage

kV	6
----	---

Maximum fuse size for short-circuit protection  $I_n$  (gG)

10kA	A	315
15kA	A	315

Rated short time current  $I_{cw}$

1s	A	5200
----	---	------

Operational current  $I_e$  IEC/EN

AC1/AC21A

A	315
---	-----

Rated operational power in AC

Three-phase AC-3

220/230V	kW	37
380/440V	kW	55
500/690V	kW	69

Single-phase AC-3

110V	kW	11
220/230V	kW	22
380/440V	kW	30

Rated operational current in DC

DC21A

48V	A	200
60V	A	200
110V	A	35
220V	A	2.5
440V	A	0.9

Power dissipation

W	64.5
---	------

**Mechanical features**

Terminals screw			M10
Tightening torque for terminals max		Nm	10
Conductor size	AWG - Rigid cable	Max	AWG 1XMCM350
	AWG - Flexible cable	Max	AWG 1XMCM350
	Conductor size (IEC) - Flexible cable	Max	mm <sup>2</sup> 1X185
	Conductor size (IEC) - Rigid cable	Max	mm <sup>2</sup> 1X185
Mechanical life		cycles	2X10 <sup>5</sup>

**UL technical data**

Motor power for direct-on-line control				
for three-phase motor		120V	HP	30
		240V	HP	50
		480V	HP	100
		600V	HP	75
for single-phase motor		120V	HP	15
		240V	HP	30

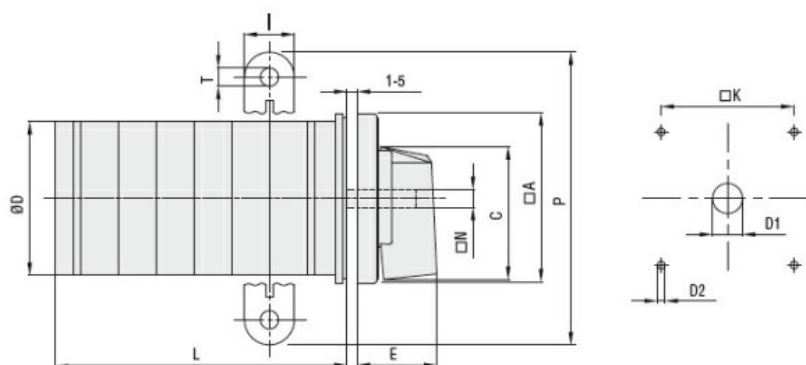
**Ambient conditions**

Temperature	Operating temperature	min	°C	-25
		max	°C	+55
	Storage temperature	min	°C	-40
		max	°C	+70

**Resistance & Protection**

Frontal IP degree	IP40
Terminals IP degree	IP00

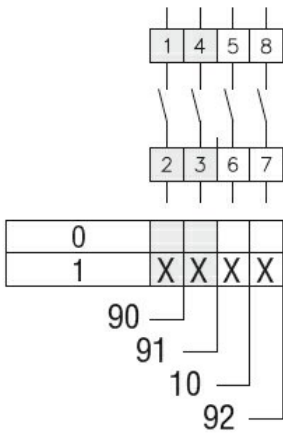
**Dimensions**



Series	Dimensions										L Number of elements ①												
	□A	C	ØD	ØD1	ØD2	E	I	□K	□N	P	ØT	1	2	3	4	5	6	7	8	9	10	11	12
GN200	132	104	120	16	5.3	56	20	104	10	140	10.5	77	107	136	166	196	226	284	314	343	373	402	432
GN315	132	104	120	16	5.3	56	20	104	10	145	10.5	77	107	136	166	196	226	284	314	343	373	402	432

① For devices with 6 or more elements please consult Technical support, see contact details on inside front cover.

**Wiring diagrams**



### Certifications and compliance

#### Compliance

IEC/EN/BS 60947-1  
IEC/EN/BS 60947-3  
IEC/EN/BS 60947-5-1  
UL60947-4-1

#### Certificates

UR

### ETIM classification

ETIM 8.0

EC001029 -  
Selector switch,  
complete