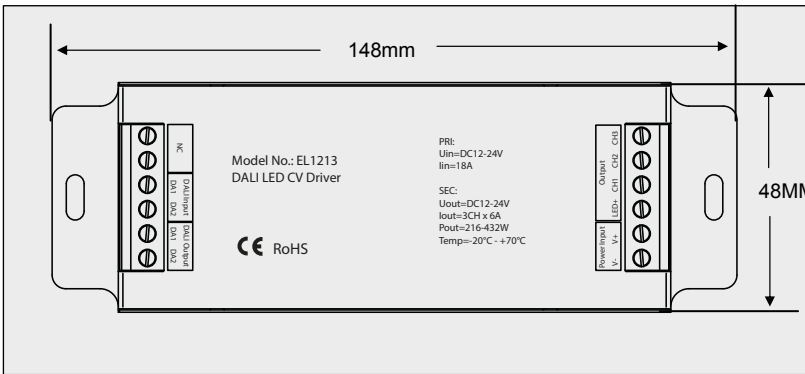
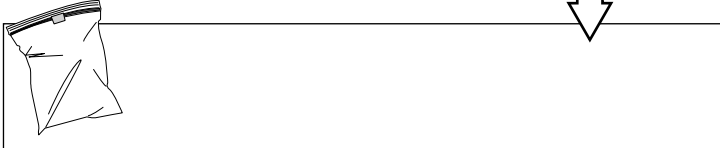
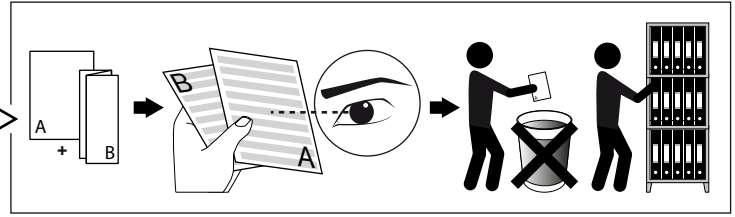
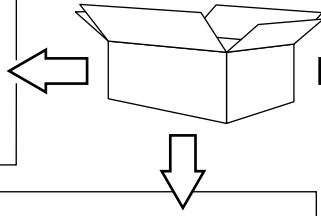
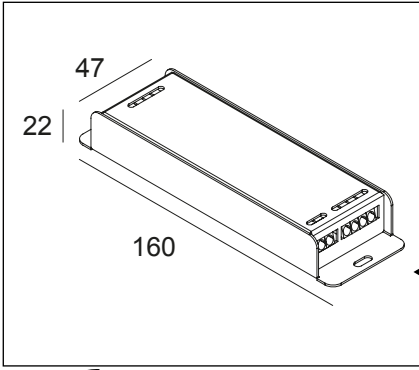


LED DIMMODULE 24V / 3CH / 6A DIM2

DEEL
PARTIE
TEIL
PART
PARTE
PARTE **A**



IP20

Beschermtd tegen vaste voorwerpen die groter zijn dan 12 mm
Protégé contre les objets solides de plus de 12 mm
Geschützt gegen Festkörper größer als 12 mm
Protected against solid objects greater than 12 mm
Protegido contra objetos sólidos superiores a 12 mm
Protetto contro oggetti solidi più grandi di 12 mm

Enkel geschikt voor toestellen op zeer lage spanning (minder dan 50 V-AC / 120 V-DC)
Convient uniquement pour les produits à très basse tension (moins de 50 V-AC / 120 V-DC)
Geeignet für Güter mit sehr niedriger Spannung (unter 50 V-AC / 120 V-DC)
Only suited for goods at very low voltage (below 50 V-AC / 120 V-DC)
Se recomienda únicamente para aquellos productos de tensión muy baja (menos de 50 V-AC / 120 V-DC)
Vale unicamente per i prodotti a tensione molto bassa (inferiore a 50 V-AC / 120 V-DC)

- Support Switch Dimming(AC220V Dimming Way)
- DALI Singal Loop in and out
- Ultra-small size, compact design
- High PWM frequency output, no flicker in dimming
- Dimming range 0--100%
- 50,000 hours life time
- Each channel has own dali address, 3channels = 3 addresses
- Conform - EN 62386-101
EN 62386-102
EN 62386-207

COMPLIANCES
The product is compliant with the following standards

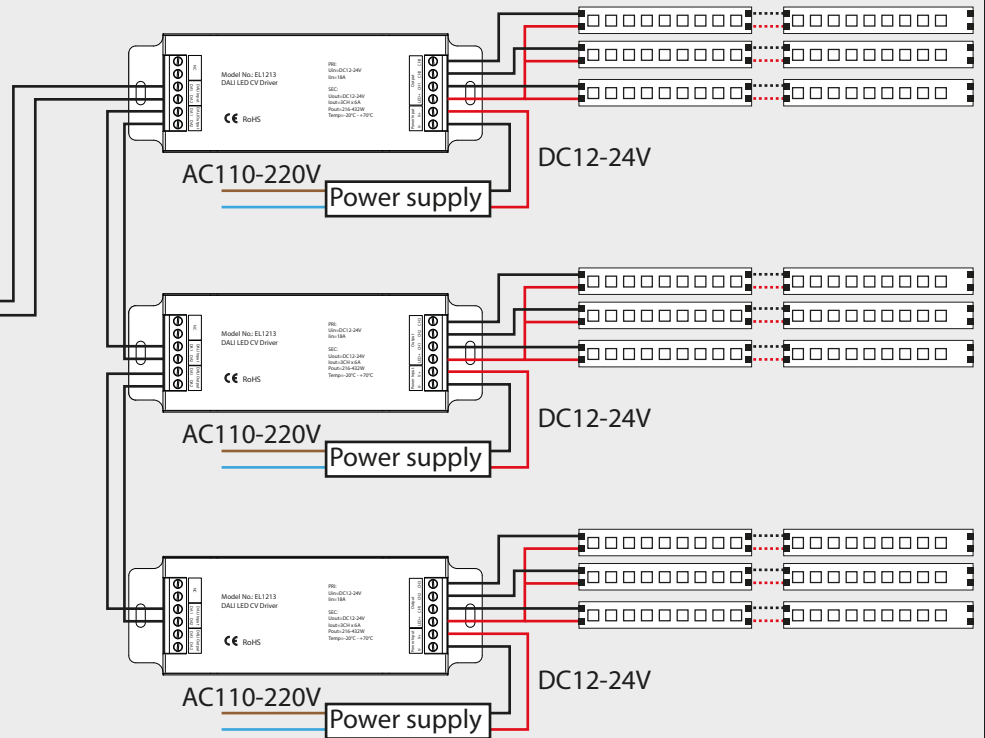
- ROHS standards
- IEC62386 standard: EN 62386-101
EN 62386-102
EN 62386-207

PUSH BUTTON DIMMING FUNCTION

- Press the switch dimmer less than 5 seconds to turn on/off and press more than 5 seconds to dim.
- With the save function, for example, when you pre-set a 50% brightness scene and then turn off or power off, and when you turn it on nex ttime, it is still kept in 50% brightness.
- Re-pushing the switch dimmer five times to restore the factory default 10% brightness scene.

- REMARKS**
- Each DALI loop supports MAX. 64 address and MAX. 16 scenes.
 - Using the BV 2X 1,5mm wire, the maximum distance is 300M.
 - 3 Channel output.
 - 6A and 144W per channel.
 - Maximum 432W in total.
 - Dimming by DALI / Push button

**CONNECTION DIAGRAM
DALI CONNTECTION**



PUSH BUTTON MODE



Only one driver can be used on one push button.
Putting several dimmers in parallel on one push button will result is malfunction.

