

Part number

MZP 15 LS225



Surface mounting housing, IL-BRID series, with 1 lever, M25 x 2 cable entry, size "49.16", with metal cover

Product description

Product type	Surface mounting housing
Series	IL-BRID
Closing type	With 1 lever
Size	Size 49.16
Cable entry	With cable entry M25 x 2
Specification	With metal cover

Technical data

IP degree of protection IP65 / IP66 / IP69

Further technical details

Weight	190,00 g
Operating temperature range (min, max)	-40°C...+125°C

Material properties

Other materials	Lever: Polyamide (PA) and Stainless steel core
Colour	RAL 7040 grey
RoHs conformity	Compliant
China RoHs - EFUP	E
REACH SVHC substances	No

Approvals / Standards

UL	ECBT2
cUL	ECBT8

General ordering information

EAN13 code	8015747060516
eCl@ss 8.1	27440202
ETIM 7.0	EC000437

Packaging Information

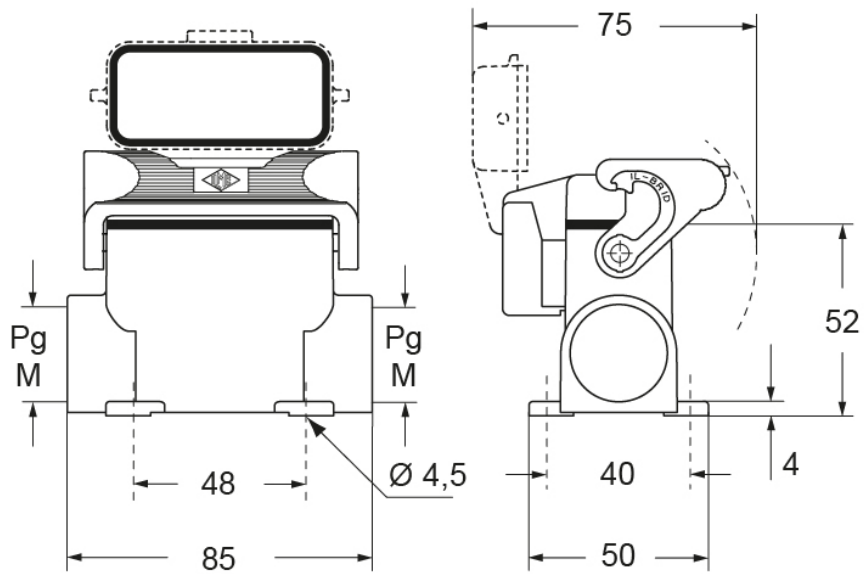
Packaging length	190,00 mm
Packaging height	125,00 mm
Packaging width	330,00 mm
Packaging weight	2,14 kg
Packaging volume	7,84 dm ³
Packaging description	Carton box
Packaging quantity	10 Pcs
Packaging EAN code	8015747220354
Sub-packaging weight	1,07 kg
Sub-packaging description	Plastic packaging
Sub-packaging quantity	5 Pcs
Sub-packaging EAN barcode	8015747220361

Part number

MZP 15 LS225



Catalogue drawings



Notes

Dimensions shown in mm are not binding and may be changed without notice.