



# SEALED NIMH PRISMATIC BATTERY PACK

9V 270mAh

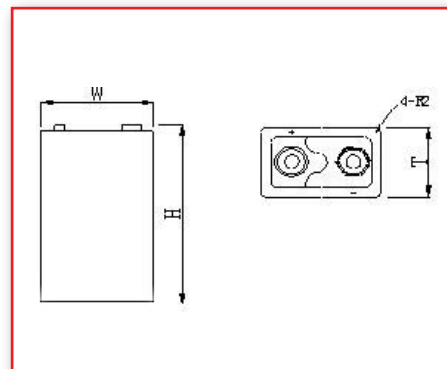
## MAIN INFORMATION / INFORMATIONS GÉNÉRALES

<b>SIZE / TAILLE</b>	7HF270
<b>BRAND NAME / MARQUE</b>	MB SECURITY
<b>TECHNOLOGY / TECHNOLOGIE</b>	Nickel-metal hydruure
<b>VOLTAGE / TENSION</b>	9V
<b>TYPICAL CAPACITY / CAPACITÉ</b>	270mAh
<b>TYPICAL WEIGHT / POIDS</b>	53g
<b>OPERATING TEMPERATURE RANGE</b>	Humidity: +65%± 20% Standard charge 0 to +45°C (32 to 113°F) Rapid charge +10 to +45°C (50 to 113°F) Discharge -20 TO +65°C (-4 TO 149°F)
<b>STORAGE TEMPERATURE RANGE</b>	Humidity: +65%±20% Within 1 year -20 to +35°C (-4 to 95°F) Within 6 months -20 to +45°C (-4 to 113°F) Within 1 month -20 to +55°C (-4 to 131°F) Within 1 week -20 to +65°C (-4 to 14°F)



## DIMENSIONS / DIMENSIONS

<b>W</b>	26.5mm
<b>H</b>	48.5mm
<b>T</b>	16.8mm



## STANDARDS / NORMES

This cell complies with IEC standards below / Cette cellule respecte les normes ci-dessous :

IEC51/IEC485