

Part number

# CIO 24.36



Hood, C-TYPE series, with 4 pegs, Pg36 side cable entry, size "104.27", high construction, inclined

#### Product description

<b>Product type</b>	Hood
<b>Series</b>	C-TYPE
<b>Closing type</b>	With 4 pegs
<b>Size</b>	Size 104.27
<b>Cable entry</b>	Side cable entry Pg36
<b>Specification</b>	High construction, inclined

#### Technical data

**IP degree of protection** IP65 / IP66 / IP69

#### Further technical details

<b>Weight</b>	297,00 g
<b>Operating temperature range (min, max)</b>	-40°C...+125°C

#### Material properties

<b>Main material</b>	Aluminium die-cast
<b>Colour</b>	RAL 7040 grey
<b>RoHs conformity</b>	Compliant
<b>China RoHs - EFUP</b>	E
<b>REACH SVHC substances</b>	No

#### Approvals / Standards

<b>Certifications</b>	DNV, BV
<b>UL</b>	ECBT2
<b>cUL</b>	ECBT8

#### General ordering information

**EAN13 code** 8015747166713

#### Packaging Information

<b>Sub-packaging weight</b>	0,30 kg
<b>Sub-packaging description</b>	Plastic packaging
<b>Sub-packaging quantity</b>	1 Pcs
<b>Sub-packaging EAN barcode</b>	8015747169042

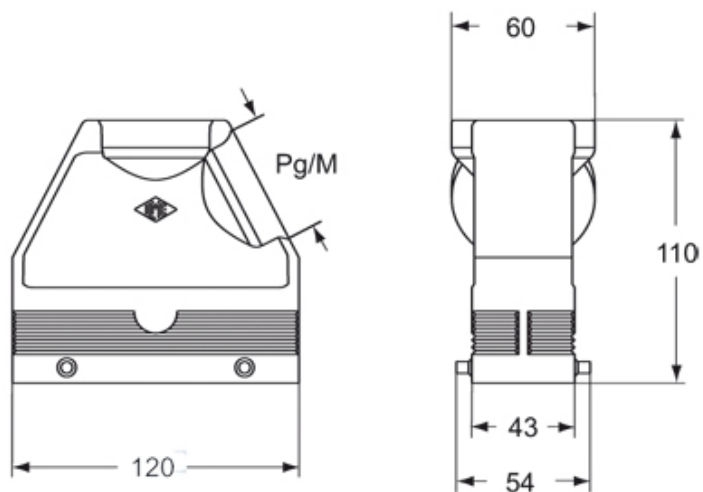
Part number

# CIO 24.36



Catalogue drawings

CIO MIO



## Notes

Dimensions shown in mm are not binding and may be changed without notice.

---