

Part number

CJZ 4 IN



Female RJ45 connector, size "21.21", in bulkhead mounting housing

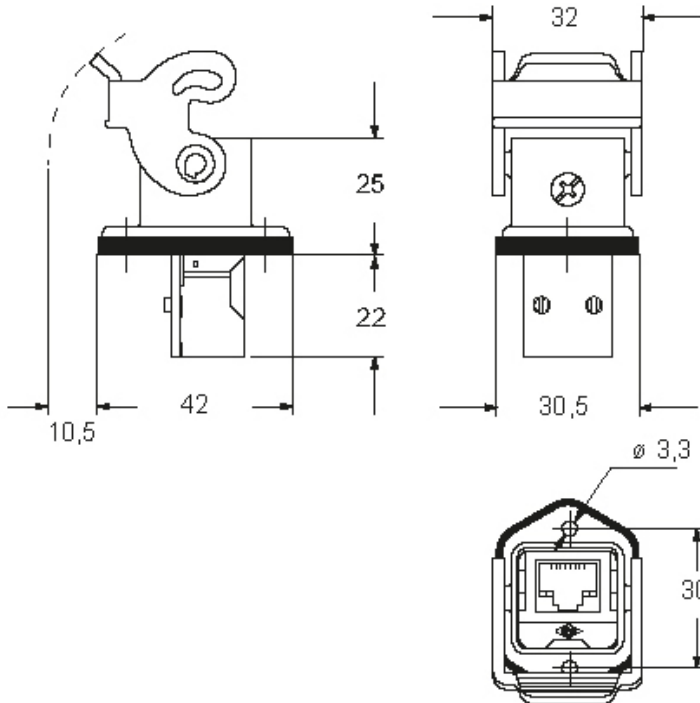
Product description		Material properties	
Product type	Data connector	Colour	RAL 9005 black
Series	CJZ connectors		Compliant with exemption 6(c): copper alloy containing up to 4% lead by weight
Connection type	RJ45	RoHs conformity	
Gender	Female	China RoHs - EFUP	50
Size	Size "21.21"	REACH SVHC substances	Yes Lead
Specification	In bulkhead mounting housing	SCIP number	07fb8783-8542-470e-90c3-3a9412d7ab25
Technical data		General ordering information	
IP degree of protection	IP66 / IP67	EAN13 code	8015747133319
Further technical details		Packaging Information	
Weight	34,00 g	Sub-packaging weight	0,17 kg
Operating temperature range (min, max)	-40°C ... +120°C	Sub-packaging description	Carton tray
		Sub-packaging quantity	5 Pcs
		Sub-packaging EAN barcode	8015747137447

Part number

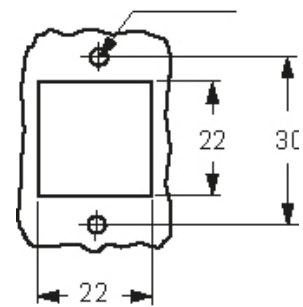
CJZ 4 IN



Catalogue drawings



Catalogue drawings



Notes

Dimensions shown in mm are not binding and may be changed without notice.