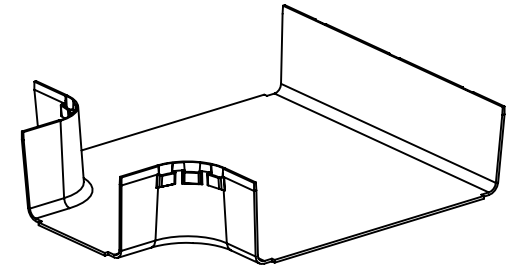
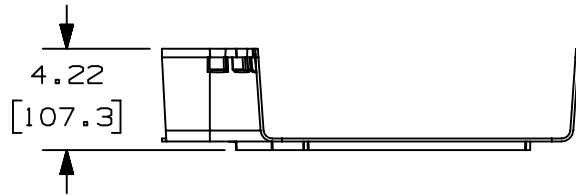
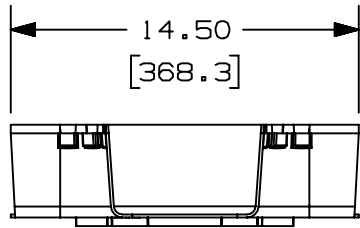
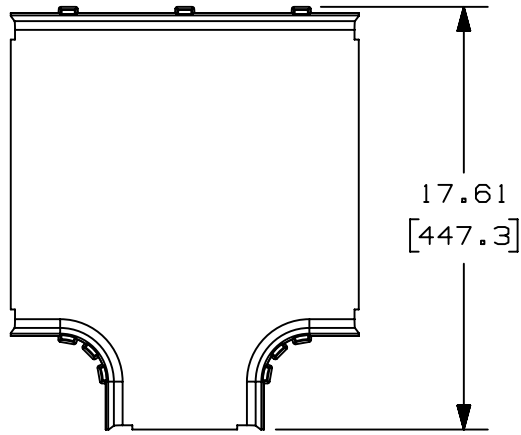


THIS COPY IS PROVIDED ON A RESTRICTED BASIS AND IS NOT TO BE USED IN ANY WAY DETRIMENTAL TO THE INTERESTS OF PANDUIT CORP.



PANDUIT PART NUMBER	WEIGHT	MATERIAL
FRT12X4W6**	1.8 LB/EACH (816g/EACH)	ABS
FRT12X4W6L**	1.8 LB/EACH (816g/EACH)	PC/ABS



**NOTES:**

- SEE CURRENT CATALOG FOR ADDITIONAL PART SUFFIXES TO INDICATE COLOR AND/OR PACKAGE QUANTITY.
- THE FIBERRUNNER 12x4 HORIZONTAL TEE FITTING WITH 6" EXIT IS DESIGNED WITH A MINIMUM 2" (50.8) BEND RADIUS TO PROTECT FIBER OPTIC CABLES.
- DIMENSIONS IN PARENTHESES ARE IN METRIC.

TITLE <b>FIBERRUNNER 12x4 HORIZONTAL TEE FITTING WITH 6" EXIT (FRT12X4W6**, FRT12X4W6L**)</b>					
CONTROL DRAWING					
ITEM REVISION NAME <b>D37617CM/06</b>			<b>PANDUIT</b>		
DATASET FILE NAME <b>D37617CM_DC/02A</b>					
UNLESS OTHERWISE SPECIFIED, DIMENSIONAL TOLERANCES ARE: IN [mm] (.X) ± .03 (.8)     (.XXX) ± .03 (1.8) ANGLES ±			MATERIAL: <b>SEE PART NUMBER TABLE ABOVE</b>		
THIRD ANGLE PROJECTION			DRAWING NUMBER: <b>37617-60</b>		
DRAWN BY <b>JNHU</b>	DATE <b>12-28-00</b>	CHK <b>HIW</b>	SCALE <b>NONE</b>	SHT 1 OF 1	
REV		DATE	BY	CHK	APR
02A		1-16-20	MES	DWR	DWR
E. ADDED FRT12X4W6L** PART NUMBER					V09002DZ/01
DESCRIPTION					ECN

XGLOBAL\_ASIZE