



Product designation	Surge Protection Device (SPD)
Product type designation	SA3
Operating voltage type	AC
Application	AC Power lines
Number of poles	1P+N
Number of DIN modules	1
Relay output	Yes
SPD according to IEC/EN 61643-11	YES

Electrical features

IEC Maximum continuous voltage U_c	V	320
IEC Combined surge U_{oc}/I_{sc} 1,2/50- 8/20 (kV/kA)	kV/kA	10 / 5
IEC Voltage protection level U_p (L-N/N-PE)	kV	<1.5 / <1.5
Tripping time t_a (L-N/N-PE)	ns	<100
IEC Backup protection fuse with supply fuse >63A (L-N/N-PE)	Class/A	63A Gg
IEC Maximum short circuit current at 50Hz	kA	10

Status indicator - operating / end of life	Frontal indication/Aux contact
--	--------------------------------

Ambient conditions

Operating temperature	min	°C	-40
	max	°C	+85
Max altitude	m		2000

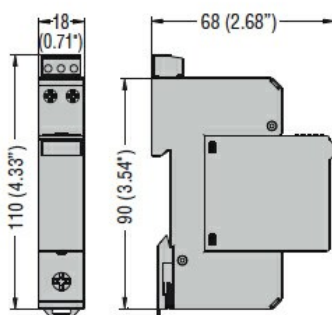
Mechanical features

Fixing	Din rail
Conductor section Flexible max (IEC)	mm ² 4 (L,N) / 25 (PE)
Conductor section Rigid max (IEC)	mm ² 6 (L,N) / 35 (PE)
Weight	g 140

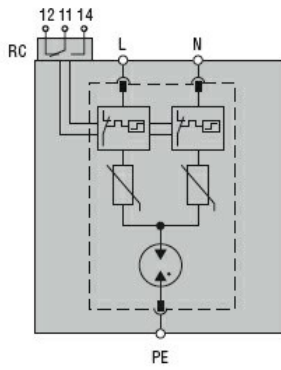
Relay output for remote status indication

Rated current at	125V AC	A	3
	250V AC	A	0.5

Dimensions



Wiring diagrams



Certifications and compliance

Compliance

IEC/EN 61643-11

Certificates

EAC

ETIM classification

ETIM 8.0

EC000941 -
Surge protection
device for power
supply systems