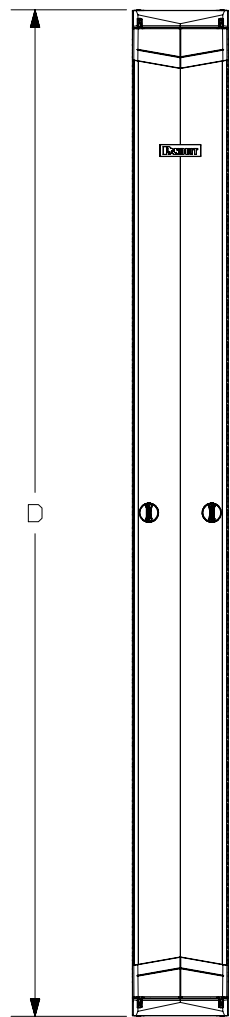
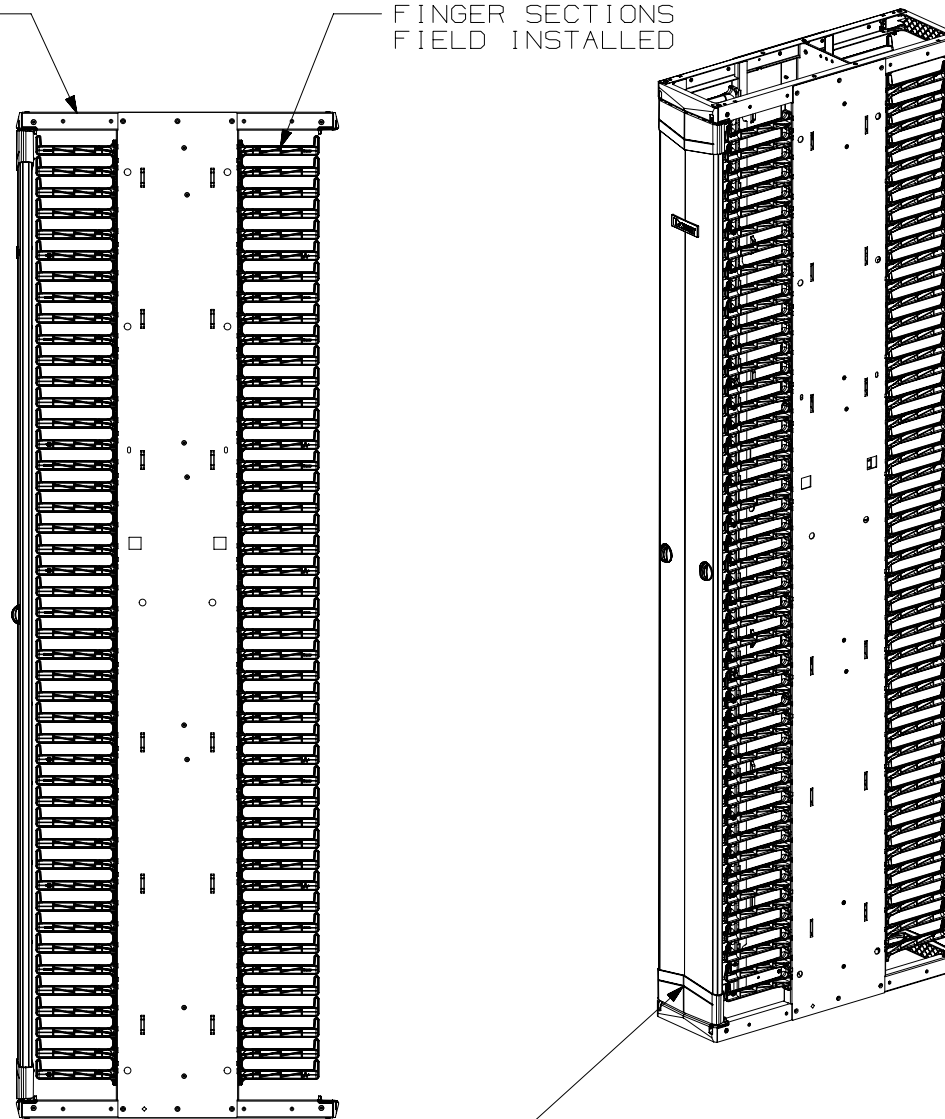


DISTANCE OF OPEN DOOR



DOOR SUPPORTS FIELD INSTALLED

FINGER SECTIONS FIELD INSTALLED



SINGLE DOOR SUPPLIED

- NOTES:
- VISIT OUR ON-LINE CATALOG AT WWW.PANDUIT.COM FOR A LIST OF CURRENT PARTS APPLICABLE FOR USE WITH THIS PRODUCT.
 - DIMENSIONS IN [] ARE METRIC.
 - WEIGHT: SEE TABLE ON SHEET 3.
 - PART INCLUDES:
 - 1- PATCHRUNNER 2 HIGH CAPACITY MANAGER, FRONT AND REAR FINGERS
 - 1- PATCHRUNNER 2 DUAL HINGE DOOR, FOR VERTICAL CABLE MANAGER.
 - 1- HARDWARE KIT.
 - CAN BE USED WITH ANY 19 OR 23 INCH EIA STANDARD RACK.
 - ALL DIMENSIONS ARE REFERENCE ONLY.

PART NUMBER		PE2VSD**, PE2VSD**96	
TITLE		PATCHRUNNER 2 HIGH CAPACITY VERTICAL CABLE MANAGER, FRONT AND REAR FINGERS AND SINGLE DOOR	
		CUSTOMER DRAWING	
ITEM REVISION NAME		17M062AX/00	
DATASET FILE NAME		17M062AX_DC/00A	
MATERIAL		STEEL, PLASTIC	
DRAWING NUMBER		17M062AX-DC	
THIRD ANGLE PROJECTION			
DRAWN BY	DATE	CHK	SCALE
TWV	1-16-19	RYB	NONE
SHEET 1 OF 3		B	

REV	DATE	BY	CHK	APR	DESCRIPTION	ECN
00A	1-15-19	TWV	RYB	JFK	INITIAL RELEASE	17M062AX-DC

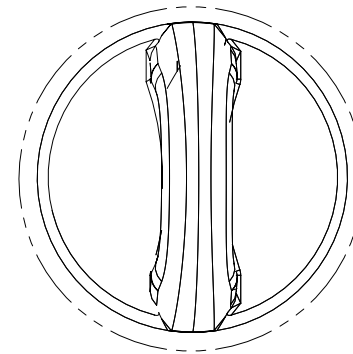
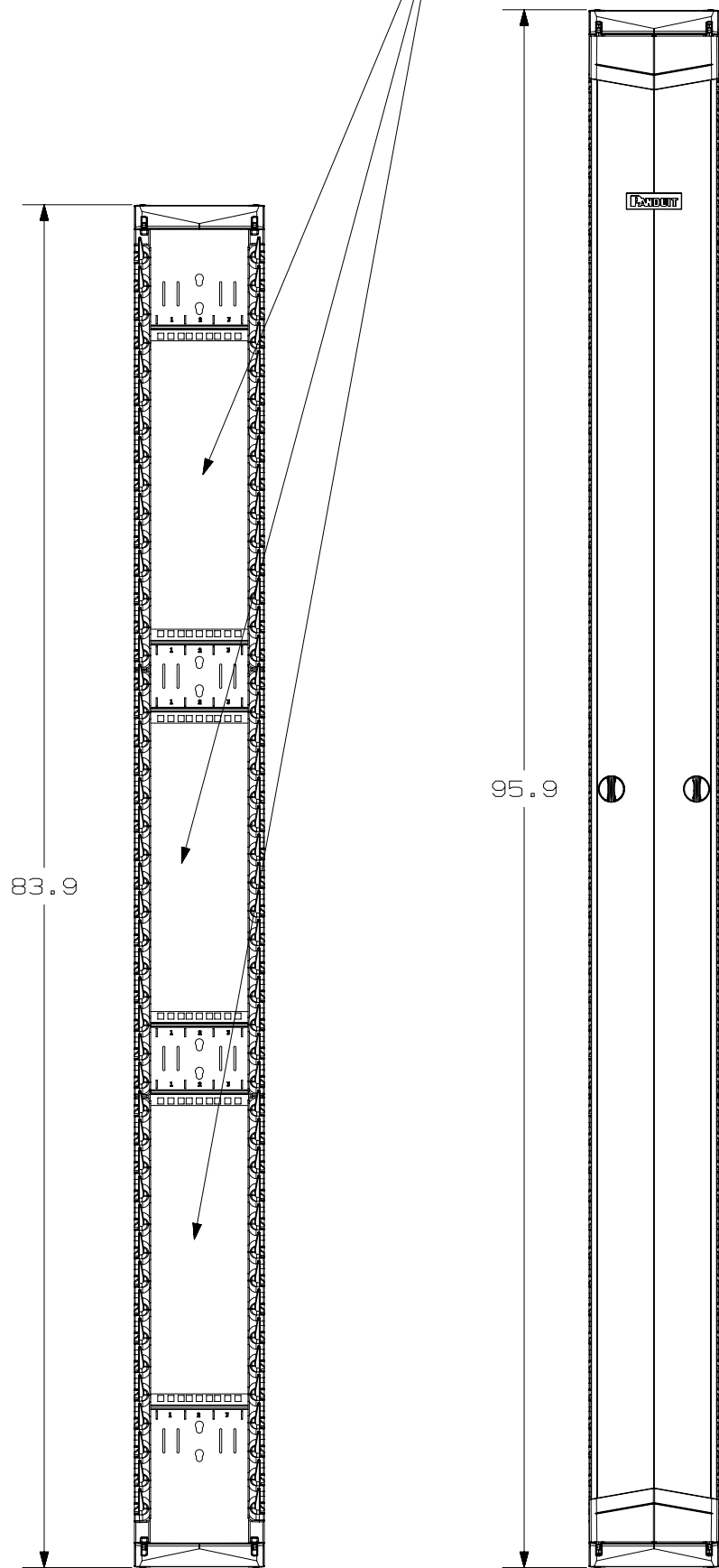
B

B

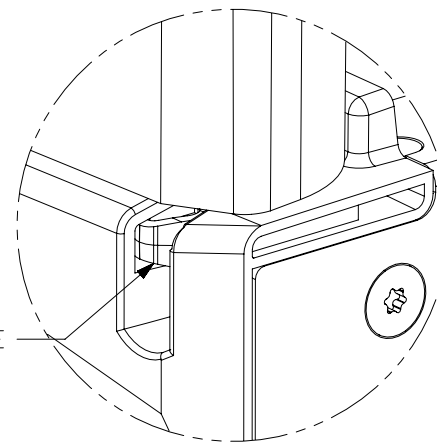
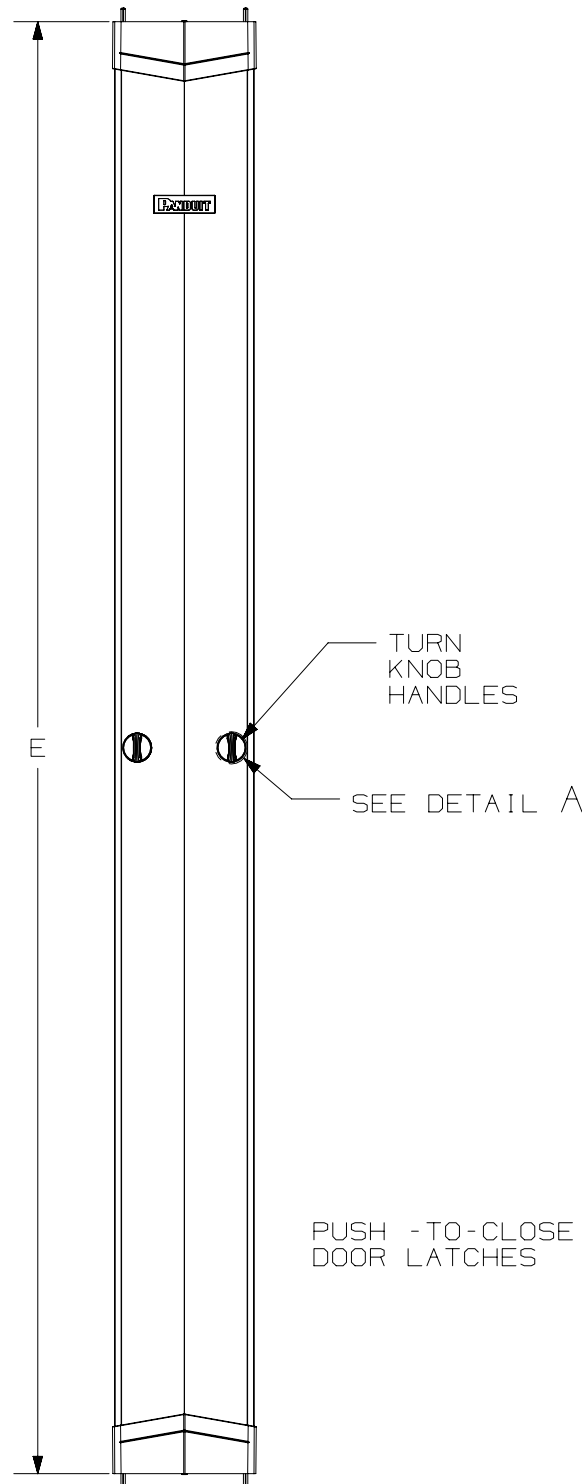
A

A

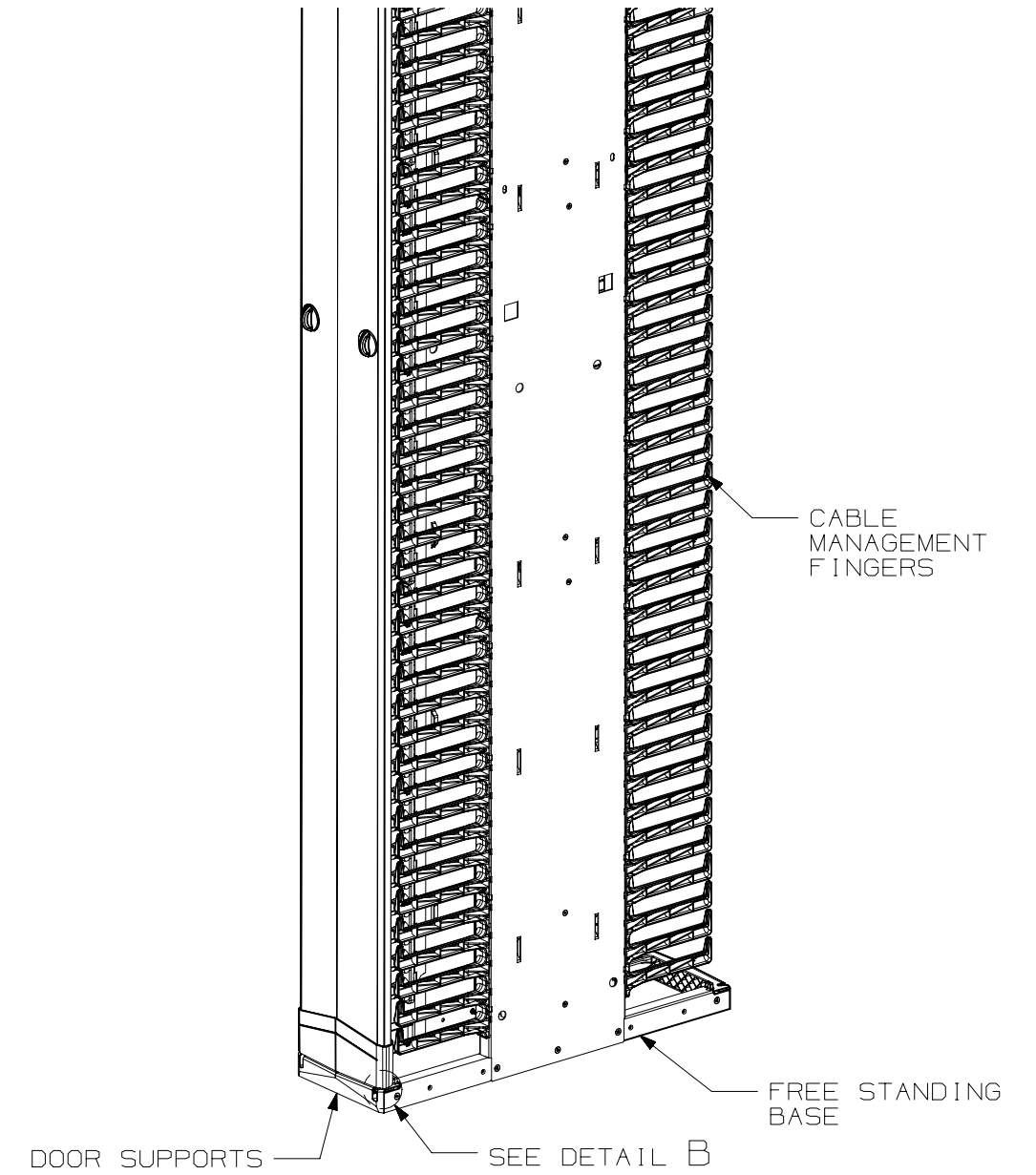
(3) 19" EIA VERTICAL MOUNTING SECTIONS IN EACH MANAGER.
ACCEPTS PATCH PANELS AND OTHER 19" RACK MOUNT
ACCESSORIES TO FREE UP RU SPACE IN THE RACK



DETAIL A
SCALE 1:1



DETAIL B
SCALE 1:1




PART NUMBER		PE2VSD**, PE2VSD**96	
TITLE			
PATCHRUNNER 2 HIGH CAPACITY VERTICAL CABLE MANAGER, FRONT AND REAR FINGERS AND SINGLE DOOR			
CUSTOMER DRAWING			
ITEM REVISION NAME		17M062AX/00	
DATASET FILE NAME		17M062AX_DC/00A	
MATERIAL		STEEL, PLASTIC	
DRAWING NUMBER		17M062AX-DC	
DRAWN BY		DATE	CHK
TWV		1-16-19	RYB
SCALE		NONE	
SHEET 2 OF 3		B	

REV	DATE	BY	CHK	APR	DESCRIPTION	ECN
00A	1-15-19	TWV	RYB	JEFK	SEE SHEET ONE FOR REVISIONS	17M062AX-DC

B-SIZE CUSTOMER

PART NO.	A=OVERALL WIDTH		B=OVERALL DEPTH		C=DOOR OPENING DEPTH		D- OVERALL HEIGHT		E=DOOR HEIGHT		VERTICAL RU SPACING RU	MANAGER AND DOOR FULLY UNPACKED WEIGHT	MANAGER AND DOOR SHIPPING WEIGHT
	INCHES	MM	INCHES	MM	INCHES	MM	INCHES	MM	INCHES	MM			
PE2VSD06**	6.00	152.4	27.2	692.0	4.62	117.3	83.9	2131.1	80.8	2051.6	6	66.44 LBS EACH [30.1 KG EACH]	68.44 LBS EACH [31.0 KG EACH]
PE2VSD08**	8.00	203.2			6.60	167.7					9	72.93 LBS EACH [33.1 KG EACH]	74.93 LBS EACH [34.0 KG EACH]
PE2VSD10**	10.00	254.0			8.60	218.4					12	79.41 LBS EACH [36.0 KG EACH]	81.41 LBS EACH [36.9 KG EACH]
PE2VSD12**	12.00	304.8			10.60	269.2					15	85.9 LBS EACH [39.0 KG EACH]	87.9 LBS EACH [39.9 KG EACH]
PE2VSD0696**	6.00	152.4			4.62	117.3	6	72.1 LBS EACH [32.7 KG EACH]	74.1 LBS EACH [33.6 KG EACH]				
PE2VSD0896**	8.00	203.2			6.60	167.7	9	79.4 LBS EACH [36.0 KG EACH]	81.4 LBS EACH [36.9 KG EACH]				
PE2VSD1096**	10.00	254.0			8.60	218.4	12	86.7 LBS EACH [31.16 KG EACH]	88.7 LBS EACH [40.2 KG EACH]				
PE2VSD1296**	12.00	304.8			10.60	269.2	15	94.00 LBS EACH [42.6 KG EACH]	96.0 LBS EACH [43.5 KG EACH]				

**DENOTES COLOR
NONE=BLACK
WH=WHITE

PART NUMBER		PE2VSD**, PE2VSD**96	
TITLE		PATCHRUNNER 2 HIGH CAPACITY VERTICAL CABLE MANAGER, FRONT AND REAR FINGERS AND SINGLE DOOR CUSTOMER DRAWING	
ITEM REVISION NAME	17M062AX/00		
DATASET FILE NAME	17M062AX_DC/00A		
MATERIAL		STEEL, PLASTIC	DRAWING NUMBER 17M062AX-DC
DRAWN BY	DATE	CHK	SCALE
TWV	1-16-19	RYB	NONE
REV		SHEET 3 OF 3	
DATE		SIZE	
1-16-19		B	

00A	1-15-19	TWV	RYB	JEFK	SEE SHEET ONE FOR REVISIONS	17M062AX-DC
REV	DATE	BY	CHK	APR	DESCRIPTION	ECN