



Direct-on-line starter to be completed with motor protection circuit breaker and contactor M2P00911

Product designation

Product type designation

Mechanical features

Weight g 1450

Ambient conditions

Operating temperature

min °C -25
 max °C +60

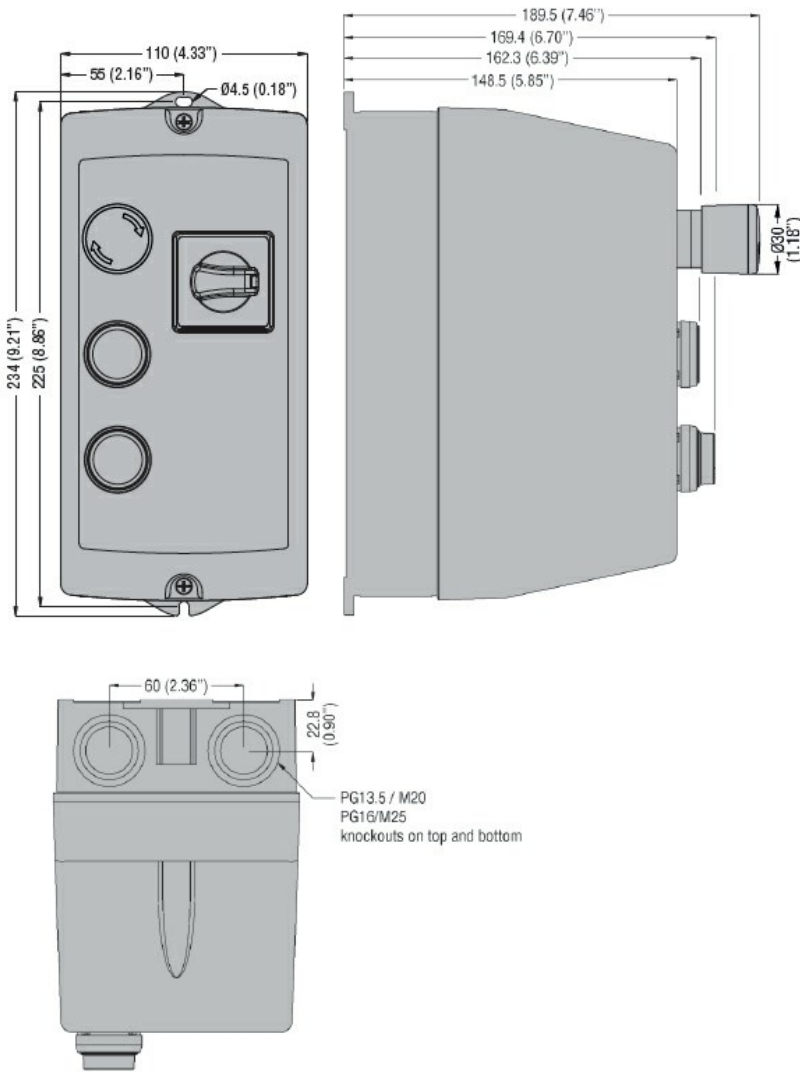
Storage temperature

min °C -40
 max °C +70

Resistance & Protection

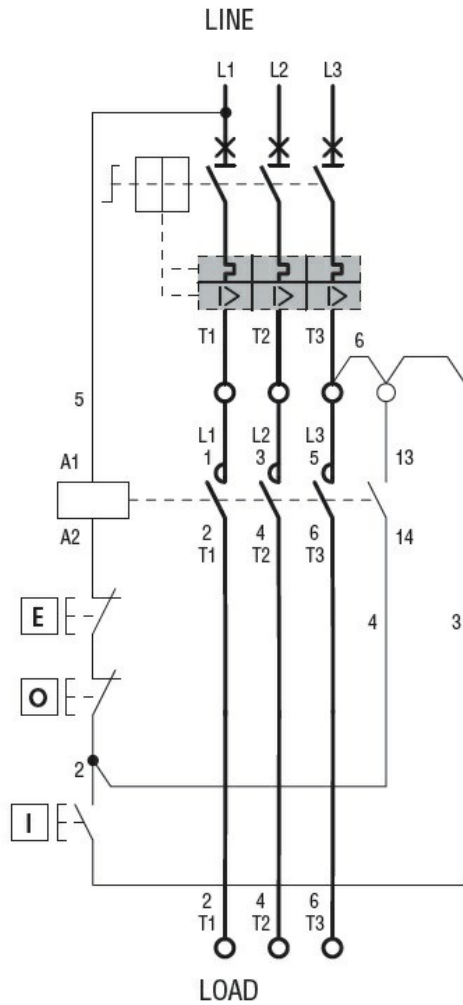
Frontal IP degree IP65

Dimensions



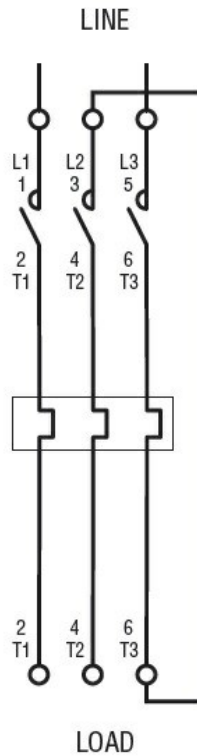
Wiring diagrams

Incorporated button control
 and rotary actuator for 3-phase motors



I = Start; O = Stop; E = Emergency Stop

Power
 connection for 1-phase
 motors



ETIM classification

ETIM 8.0

EC001037 -
 Motor
 starter/Motor
 starter
 combination