

Part number
JCVP 24



Surface mounting housing, JEI®-V series, with 2 levers, Pg21 cable entry, size "104.27"

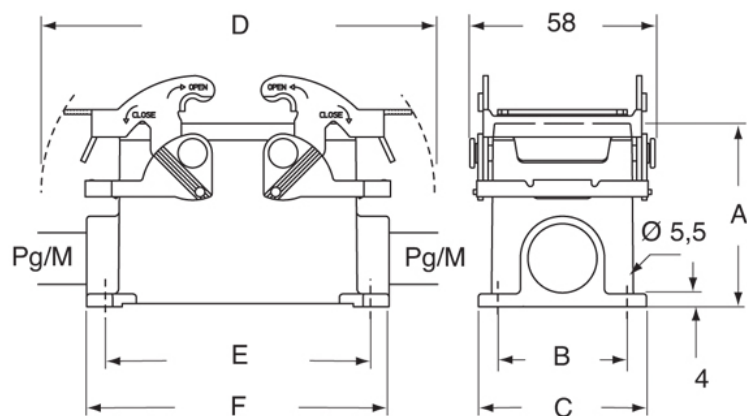
Product description		Material properties	
Product type	Surface mounting housing	Other materials	Lever: Galvanized steel Gasket: NBR
Series	JEI®-V	Colour	RAL 7040 grey
Closing type	With 2 levers	Approvals / Standards	
Size	Size 104.27	Certifications	DNV, BV
Cable entry	With cable entry Pg21	UL	ECBT2
Technical data		cUL	ECBT8
IP degree of protection	IP65 / IP66 / IP69	General ordering information	
Further technical details		EAN13 code	8015747137645
Weight	380,00 g	Packaging Information	
Operating temperature range (min, max)	-40°C...+125°C	Packaging length	350,00 mm
		Packaging height	160,00 mm
		Packaging width	300,00 mm
		Packaging weight	7,60 kg
		Packaging volume	16,80 dm ³
		Packaging description	Carton box
		Packaging quantity	20 Pcs
		Packaging EAN code	8015747144063
		Sub-packaging weight	1,90 kg
		Sub-packaging description	Plastic packaging
		Sub-packaging quantity	5 Pcs
		Sub-packaging EAN barcode	8015747140355

Part number
JCVP 24



Catalogue drawings

JCVP



	A	B	C	D	E	F
JCVP 10	57	40	52	122	82	93,5
JCVP 16	63	45	57	142,5	105	117
JCVP 24	63	45	57	169	132	144

Notes

Dimensions shown in mm are not binding and may be changed without notice.