

Part number

C30MA 120 P



Male crimp contact, C30 series, 300 A, turned silver plated, wire cross section 120 mm², AWG 4/0, finger-proof version

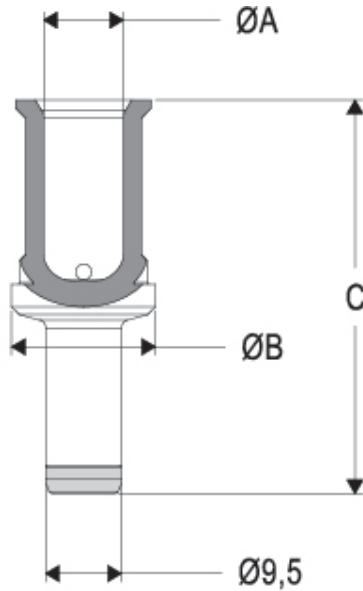
Product description		Material properties	
Product type	Crimp contact	Main material	Copper alloy
Series	C30	Other materials	Cap: polycarbonate (PC)
Gender	Male		Compliant with exemption 6(c): copper alloy containing up to 4% lead by weight
Specification	Finger-proof version	RoHs conformity	
Technical data		China RoHs - EFUP	50
Current	300 A	REACH SVHC substances	Yes Lead
Contact type	Turned silver plated	General ordering information	
Further technical details		EAN13 code	8015747016902
Contact resistance	≤ 0,2 mΩ	Packaging Information	
Weight	46,80 g	Packaging length	112,00 mm
Conductors stripping length	22,5 mm	Packaging height	95,00 mm
		Packaging width	117,00 mm
		Packaging volume	1,24 dm ³
		Packaging description	Carton box
		Packaging quantity	40 Pcs
		Packaging EAN code	8015747017060
		Sub-packaging description	Plastic box
		Sub-packaging quantity	5 Pcs
		Sub-packaging EAN barcode	8015747290999

Part number

C30MA 120 P



Catalogue drawings



C30MA..P contacts

conductor section (mm ²)	conductor slot \varnothing A (mm)	\varnothing B (mm)	C (mm)	conductor stripping length (mm)
16	5,5	18	42,7	19
25	7	18	42,7	19
35	8,2	18	43,7	20
50	10	18	49,2	22,5
70	11,5	18	49,2	22,5
95	13,5	21	49,2	22,5
120	15,5	21	49,2	22,5

Notes

California Proposition 65 Information



WARNING

This product can expose you to lead and its compounds, known to the State of California to cause cancer and/or reproductive toxicity. For more information go to www.P65Warnings.ca.gov.