


Part number

# CQF 04/2E



Female insert, CQ series, crimp connection, 4 + 2 poles + PE, 40 A 400/690 V 6 kV 3 / 10 A 250 V 4 kV 3, size "32.13", with PE plate

#### Product description

<b>Product type</b>	Insert
<b>Series</b>	CQ
<b>Connection type</b>	Crimp connection
<b>Gender</b>	Female
<b>N. of poles</b>	4 poles + 
<b>Auxiliary poles</b>	2 poles
<b>Size</b>	Size "32.13"

#### Technical data

<b>Current</b>	40 A
<b>Voltage</b>	400 - 690 V
<b>Rated impulse withstand voltage</b>	6 kV
<b>Pollution degree</b>	3
<b>Rated voltage according to UL/CSA</b>	600 V
<b>IP degree of protection</b>	IP20 without enclosure, IP66/IP67/IP69 with enclosure

#### Further technical details

<b>Characteristics according to EN 61984</b>	40A 400/690V 6kV 3 (aux: 10A 250V 4kV 3)
<b>Mating cycles</b>	≥ 500
<b>Insulation resistance</b>	≥ 10 GΩ
<b>Contact resistance</b>	≤ 0,3 mΩ (4 P), ≤ 3 mΩ (2 P)
<b>Weight</b>	16,21 g
<b>Operating temperature range (min, max)</b>	-40 °C ... +125 °C
<b>UL 94 flammability rating</b>	V-0

#### Material properties

<b>Main material</b>	Polycarbonate (PC)
<b>Colour</b>	RAL 7032 grey
<b>RoHs conformity</b>	Compliant
<b>China RoHs - EFUP</b>	E
<b>REACH SVHC substances</b>	No

#### General ordering information

<b>EAN13 code</b>	8015747292351
<b>eCl@ss 8.1</b>	27440205
<b>ETIM 7.0</b>	EC000438

#### Packaging Information

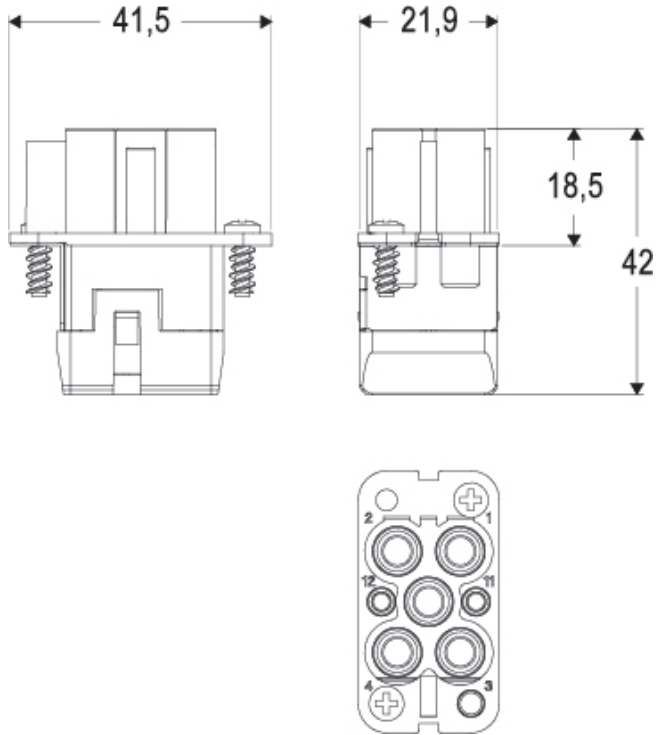
<b>Packaging length</b>	245,00 mm
<b>Packaging height</b>	165,00 mm
<b>Packaging width</b>	215,00 mm
<b>Packaging weight</b>	1,00 kg
<b>Packaging volume</b>	8,69 dm <sup>3</sup>
<b>Packaging description</b>	Carton box
<b>Packaging quantity</b>	50 Pcs
<b>Packaging EAN code</b>	8015747292368
<b>Sub-packaging weight</b>	0,02 kg
<b>Sub-packaging description</b>	Plastic bag
<b>Sub-packaging quantity</b>	1 Pcs
<b>Sub-packaging EAN barcode</b>	8015747300230

Part number

# CQF 04/2E

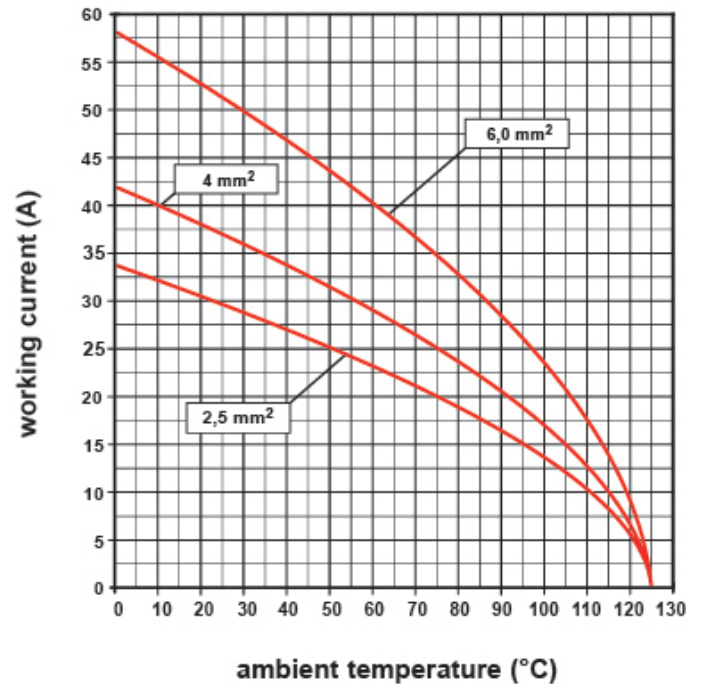


## Catalogue drawings



## Derating curves

**CQ 04/2E, 04/2 power poles connector inserts**  
**Maximum current load derating diagram**



Notes