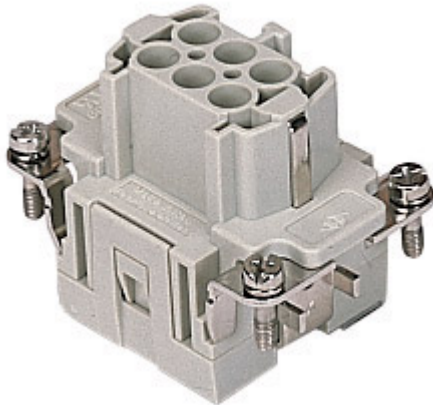



Part number

CCEF 06



Female insert, CCE series, crimp connection, 6 poles + PE, 16 A 500 V 6 kV 3, size "44.27"

Product description		Material properties	
Product type	Insert	Main material	Polycarbonate (PC)
Series	CCE	Colour	RAL 7032 grey
Connection type	Crimp connection	RoHs conformity	Compliant
Gender	Female	China RoHs - EFUP	E
N. of poles	6 poles + 	REACH SVHC substances	No
Size	Size 44.27	Approvals / Standards	
Technical data		Reference standard	EN 61984:2009-06
Current	16 A	Certifications	CSA, CQC, DNV, BV, EAC
Voltage	500 V	UL	ECBT2, PVVA2
Rated impulse withstand voltage	6 kV	cUL	PVVA8
Pollution degree	3	General ordering information	
Rated voltage according to UL/CSA	600 V	EAN13 code	8015747112604
IP degree of protection	IP20 without enclosure, IP65/IP66/IP68/IP69 with enclosure	eCl@ss 8.1	27440205
Further technical details		ETIM 7.0	EC000438
Characteristics according to EN 61984	16A 500V 6kV 3; 16A 400/690V 6kV 2	Packaging Information	
Mating cycles	≥ 500	Packaging length	270,00 mm
Insulation resistance	≥ 10 GΩ	Packaging height	75,00 mm
Contact resistance	≤ 1 mΩ	Packaging width	180,00 mm
Weight	38,70 g	Packaging weight	2,71 kg
Operating temperature range (min, max)	-40 °C ... +125 °C	Packaging volume	3,65 dm ³
Conductors stripping length	7 mm	Packaging description	Carton box
UL 94 flammability rating	V-0	Packaging quantity	60 Pcs
Torque for main contact	M4: 1,2 Nm, 10,6 lb.in (Ph2 or 1,0x5,5mm)	Packaging EAN code	8015747112727
Tightening torque for PE connection	M4: 1,2 Nm, 10,6 lb.in (Ph2 or 1,0x5,5mm)	Sub-packaging length	104,00 mm
Tightening torque for fixing screws	M3: 0.5 Nm; 4.4 lb.in (Ph1 or 0.8x4 mm)	Sub-packaging height	36,00 mm
		Sub-packaging width	180,00 mm
		Sub-packaging weight	0,45 kg
		Sub-packaging volume	0,67 dm ³
		Sub-packaging description	Carton tray
		Sub-packaging quantity	10 Pcs
		Sub-packaging EAN barcode	8015747112710

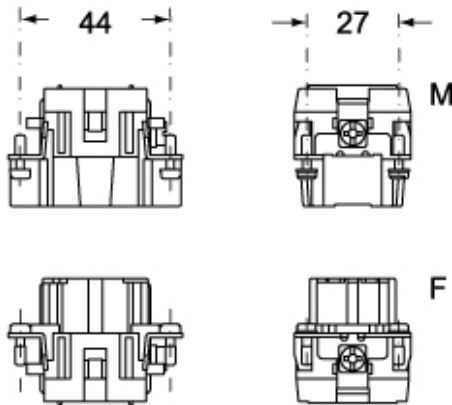
Part number

CCEF 06

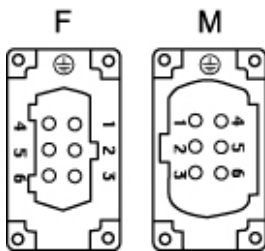


Catalogue drawings

CCEM 06

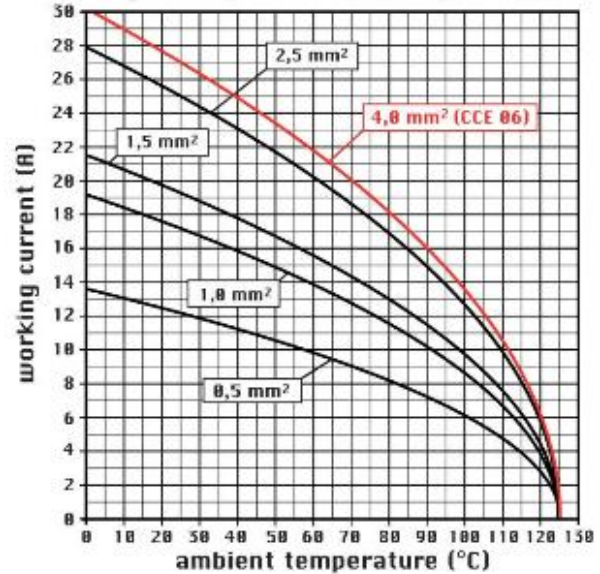


CCEF 06



Catalogue drawings

diagram CN, CNE and CCE 06 poles



Notes

CCEF/M 06 inserts:

- characteristics according to EN 61984:
(16A 500V 6kV 3)
(16A 400/690V 6kV 2)
- rated voltage according to UL/CSA: 600V
- insulation resistance: > 10 GOhm
- ambient temperature limit: -40 °C ... +125 °C
- are made of self-extinguishing thermoplastic resin UL 94 V0
- mechanical life: > 500 cycles
- contact resistance: < 1 mOhm
- enclosures: size "44.27":
C-TYPE IP65/IP66
C7 IP67 stainless steel lever
V-TYPE IP65/IP66
stainless steel lever
T-TYPE IP65 insulating
JEI zinc-plated steel lever
BIG hoods
W-TYPE aggressive environments.
EMC
central lever
IP68

- panel supports: page:
COB

Dimensions shown in mm are not binding and may be changed without notice.

California Proposition 65 Information



WARNING

This product can expose you to nickel compounds, known to the State of California to cause cancer and/or reproductive toxicity. For more information go to www.P65Warnings.ca.gov.
