

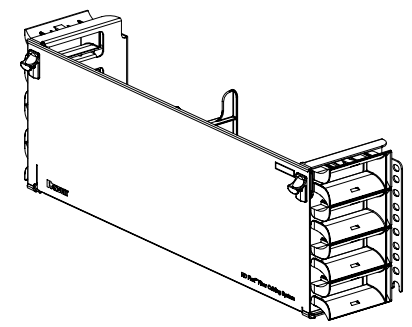
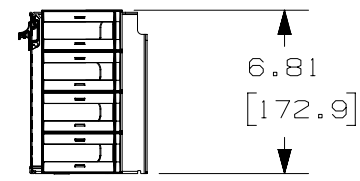
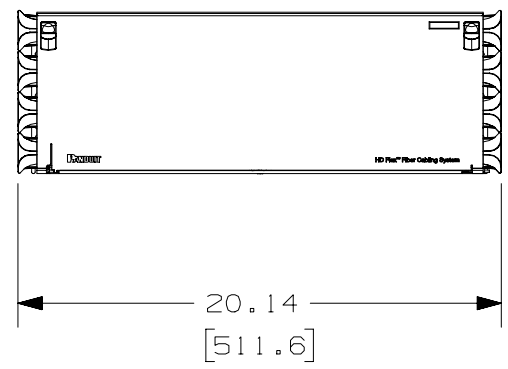
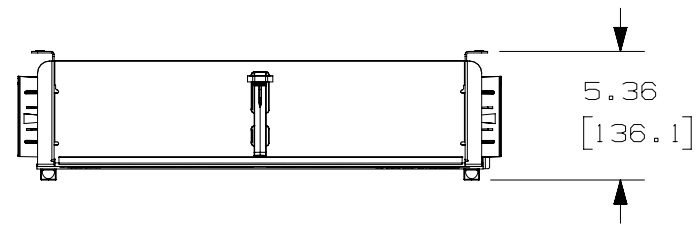
2

1

THIS COPY IS PROVIDED ON A RESTRICTED BASIS AND IS NOT TO BE USED IN ANY WAY DETRIMENTAL TO THE INTERESTS OF PANDUIT CORP.

NOTES:

1. SEE CATALOG FOR COMPLETE LIST OF PARTS APPLICABLE FOR USE WITH THIS PART.
2. DIMENSIONS IN BRACKETS ARE METRIC.
3. MATERIAL: GALVANNEALED STEEL  
COLOR: BLACK
4. ALL MATERIALS AND COMPONENTS USED MEET THE MATERIAL RESTRICTIONS OF RoHS (EUROPEAN DIRECTIVE 2011/65/EC ON THE RESTRICTION OF HAZARDOUS SUBSTANCES) AS PROPOSED BY THE RoHS TECHNICAL ADAPTATION COMMITTEE.
5. PART WEIGHT 3.9 lbs (1.7 kg)



00	7-18-16	BONS	SAT	TMK	RELEASED FOR PRODUCTION			15F318AG-DC	
REV	DATE	BY	CHK	APR	DESCRIPTION	ECN			

TITLE									
4RU HD FLEX FRONT CABLE MANAGER									
CUSTOMER DRAWING									
ITEM REVISION NAME									
15F318AG/02									
DATASET FILE NAME									
15F318AG_DC/02A								PART NO.	
UNLESS OTHERWISE SPECIFIED, DIMENSIONAL TOLERANCES ARE: IN (mm)								FLEX-FCM4UA	
DIMENSIONS ARE FOR REFERENCE ONLY								DRAWING NUMBER:	
								15F318AG-DC	
DRAWN BY	DATE	CHK	SCALE						
BONS	7-14-16	SAT	1:8						
								SHT 1 OF 1	
								SIZE	
								A	

2

1