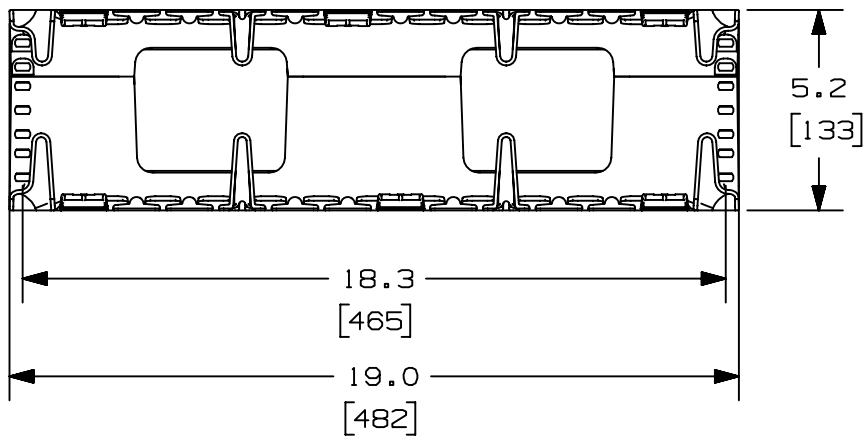


2

1

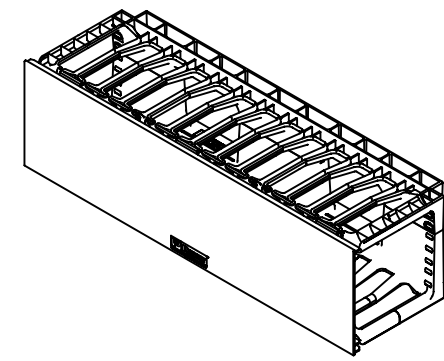
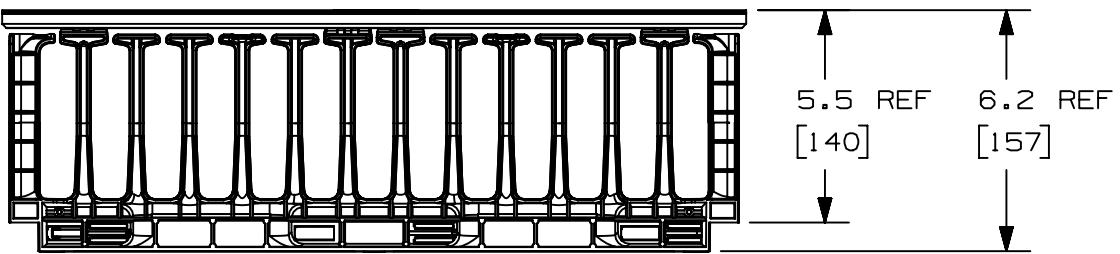
THIS COPY IS PROVIDED ON A RESTRICTED BASIS AND IS NOT TO BE USED IN ANY WAY DETRIMENTAL TO THE INTERESTS OF PANDUIT CORP.

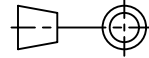

PANDUIT P/N	WEIGHT
NMF3 NMF3WH	2.2 LBS/EACH 998 g/EACH



- NOTES:
- VISIT OUR ON-LINE CATALOG AT [WWW.PANDUIT.COM](http://WWW.PANDUIT.COM) FOR A CURRENT LIST OF PRODUCTS APPLICABLE FOR USE WITH THIS PART.
  - COMPONENTS:  
1- 3RU MANAGER (FRONT ONLY)  
1- 3RU 19" COVER
  - DIMENSIONS IN PARENTHESIS ARE METRIC.

MAX STORAGE TEMPERATURE 65°C (149°F)  
MAX OPERATING TEMPERATURE 60°C (140°F)



TITLE		<b>NMF3 CABLE MANAGER</b>	
CUSTOMER DRAWING			
ITEM REVISION NAME		V10404AI/03	
DATASET FILE NAME		V10404AI_DC/03B	
 THIRD ANGLE PROJECTION			
MATERIAL		DRAWING NUMBER	
MANAGER: ABS 3RU COVER: PVC		V10404AI-DC	
DRAWN BY	DATE	CHK	SCALE
BAME	3-5-07	TCK	NONE
SHEET 1 OF 1			SIZE
			A

A-SIZE CUSTOMER

03B	4-29-20	JBO	JCO	JEKF	ADDED TEMPERATURE NOTE	M09000LT
REV	DATE	BY	CHK	APR	DESCRIPTION	ECN

2

1