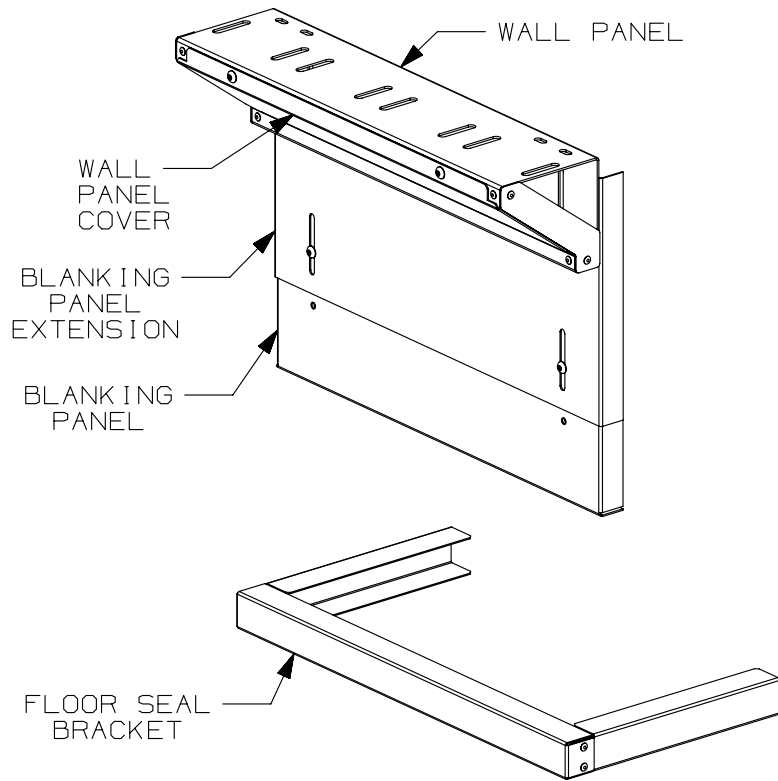


THIS COPY IS PROVIDED ON A RESTRICTED BASIS AND IS NOT TO BE USED IN ANY WAY DETRIMENTAL TO THE INTERESTS OF PANDUIT CORP.



NOTES:

1. VISIT OUR ONLINE CATALOG AT WWW.PANDUIT.COM FOR A LIST OF CURRENT PARTS APPLICABLE FOR USE WITH THIS PRODUCT.
2. PRIMARY DIMENSIONS ARE METRIC (mm). DIMENSIONS IN PARENTHESES ARE IN INCHES (IN).
3. PARTS SUPPLIED:
 - 1 - WALL PANEL
 - 1 - WALL PANEL COVER
 - 1 - BLANKING PANEL
 - 1 - BLANKING PANEL EXTENSION
 - 1 - FLOOR SEAL BRACKET
 - 1 - HARDWARE KIT

*xx = COLOR
 B1 = BLACK
 W1 = WHITE

PANDUIT PART NO.	FOR USE WITH CABINET HEIGHT	FOR USE WITH ROW BASE COOLER UNIT WIDTH		
		WIDTH	HEIGHT (MIN)	HEIGHT (MAX)
C2CAC06ABWPAxx	42RU, 45RU	600mm, 24 inch	1950mm	2070mm
C2CAC04ABWPAxx	42RU, 45RU	400mm	1950mm	2070mm
C2CAC03ABWPAxx	42RU, 45RU	300mm, 12 inch	1950mm	2070mm

REV	DATE	BY	CHK	APR	DESCRIPTION	ECN
00B	03/28/13	PJST			RELEASE	12V292ZB

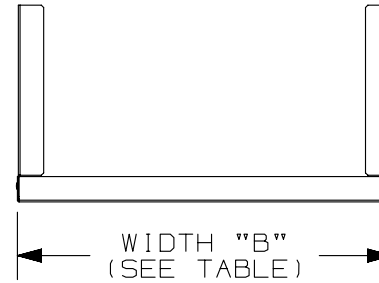
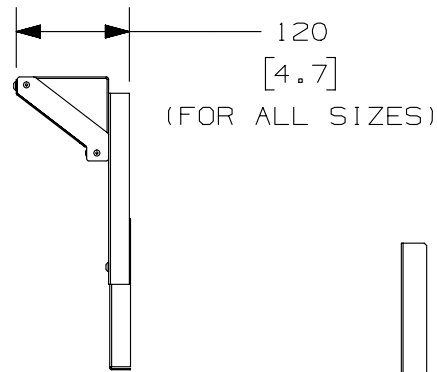
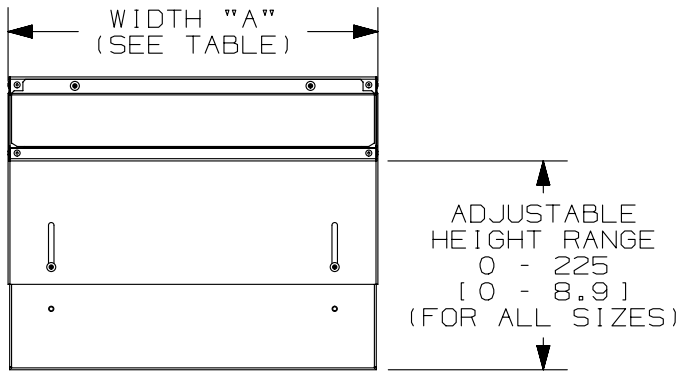
TITLE NET CONTAIN™ ROW BASE COOLER BLANKING PANEL (C2CAC0*ABWPA**) CUSTOMER DRAWING						
ITEM REVISION NAME 12V292ZB/00						
DATASET FILE NAME 12V292ZB_DC/00B						
MATERIAL: N/A						DRAWING NUMBER: 12V292ZB
00B	03/28/13	PJST		RELEASE	12V292ZB	
DRAWN BY	DATE	CHK	SCALE	MATERIAL		
ERK	02/06/13		N/A	SHT 1 OF 3		
						SIZE A

2

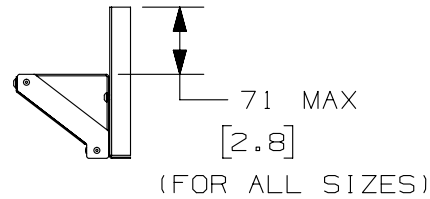
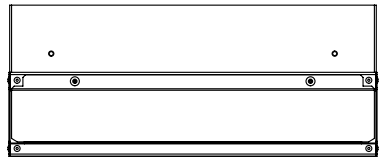
1

PANDUIT PART NO.	FOR USE WITH IN-ROW COOLING UNIT WIDTH	WIDTH "A"	WIDTH "B"	WEIGHT
C2CAC06ABWPA***	600mm	591mm (23.3")	596mm (23.5")	5.4 Kg (11.9 LBS) EA.
C2CAC04ABWPA***	400mm	391mm (15.4")	396mm (15.6")	3.8 Kg (8.3 LBS) EA.
C2CAC03ABWPA***	300mm	291mm (11.5")	296mm (11.7")	2.9 Kg (6.5 LBS) EA.

FULLY EXTENDED



FULLY RETRACTED




B

B

A

A

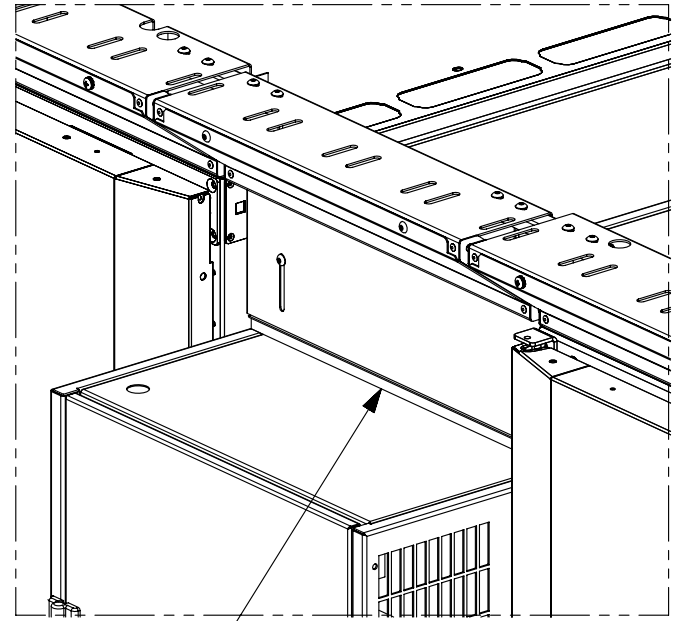
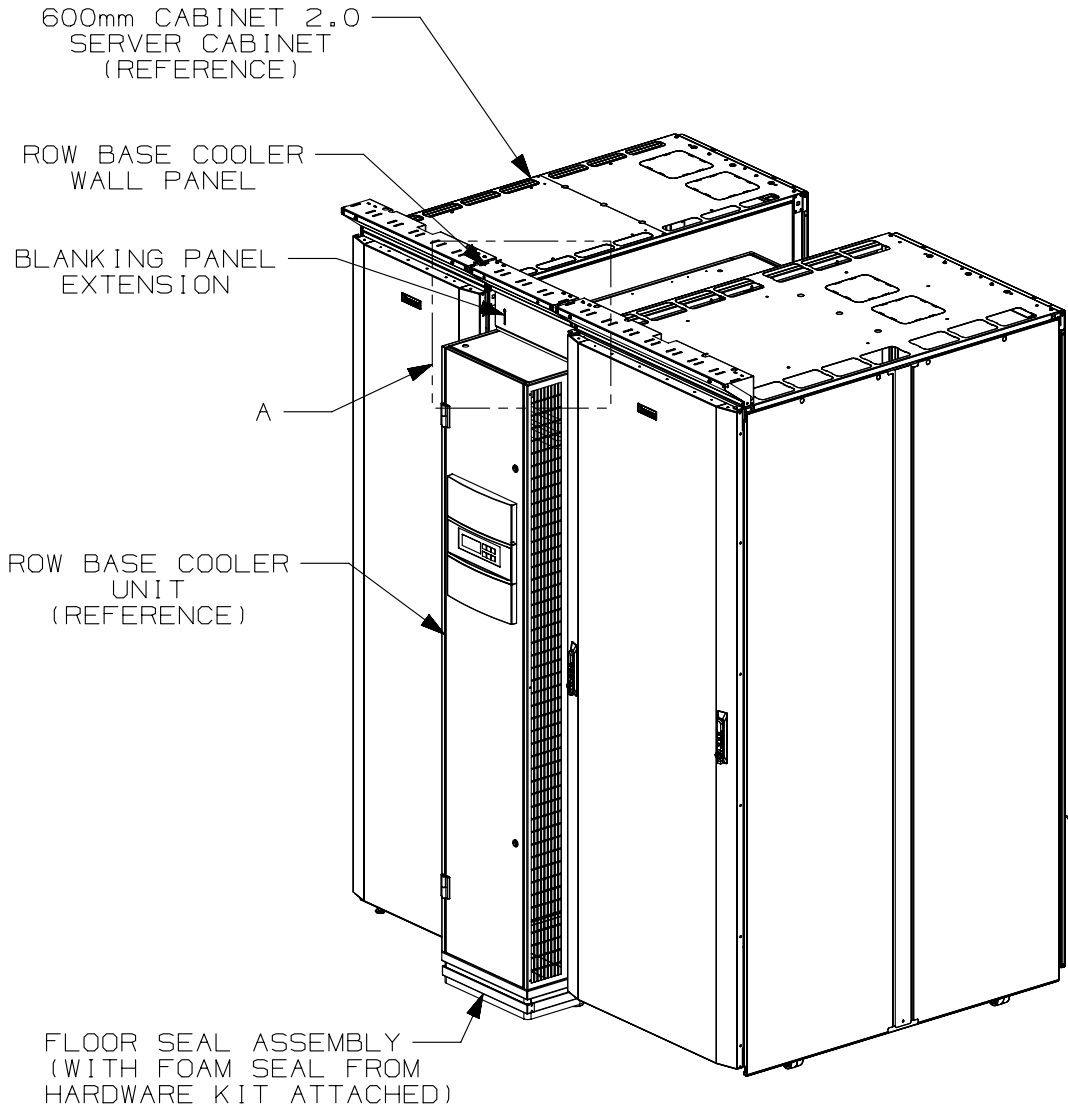
REV	DATE	BY	CHK	APR	DESCRIPTION	ECN
00B	03/28/13	PJST			RELEASE	12V292ZB

TITLE NET CONTAIN™ ROW BASE COOLER BLANKING PANEL (C2CAC0*ABWPA**) CUSTOMER DRAWING						
ITEM REVISION NAME 12V292ZB/00						
DATASET FILE NAME 12V292ZB_DC/00B						
DRAWN BY ERK			DATE 02/06/13		CHK	SCALE N/A
DRAWING NUMBER: 12V292ZB			SHT 2 OF 3		SIZE A	

2

1

THIS COPY IS PROVIDED ON A RESTRICTED BASIS AND IS NOT TO BE USED IN ANY WAY DETRIMENTAL TO THE INTERESTS OF PANDUIT CORP.



800mm CABINET 2.0
SWITCH CABINET
(REFERENCE)

1. THE ROW BASE COOLER WALL PANEL IS MOUNTED BETWEEN (2) NET-CONTAIN™ WALL PANELS (C2CACO*F08WP**) WHICH MUST BE PURCHASED SEPARATELY.

TITLE		NET CONTAIN™ ROW BASE COOLER BLANKING PANEL (C2CACO*ABWPA**)		
ITEM REVISION NAME		12V292ZB/00		
DATASET FILE NAME		12V292ZB_DC/00B		
MATERIAL:		N/A		
DRAWING NUMBER:		12V292ZB		
DRAWN BY		DATE	CHK	SCALE
ERK		02/06/13		N/A
SHT 3 OF 3				SIZE A

00B	03/28/13	PJST		RELEASE	12V292ZB	
REV	DATE	BY	CHK	APR	DESCRIPTION	ECN