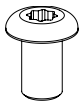


Tool List

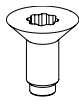


T25 Torx driver

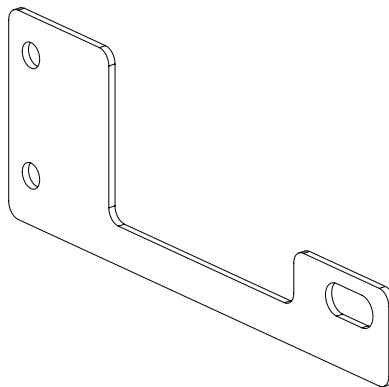
Components Included



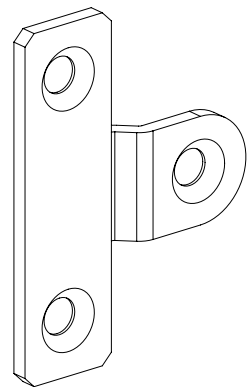
M6x10mm SCREW
Qty: 08



M5x12mm SCREW
Qty: 06



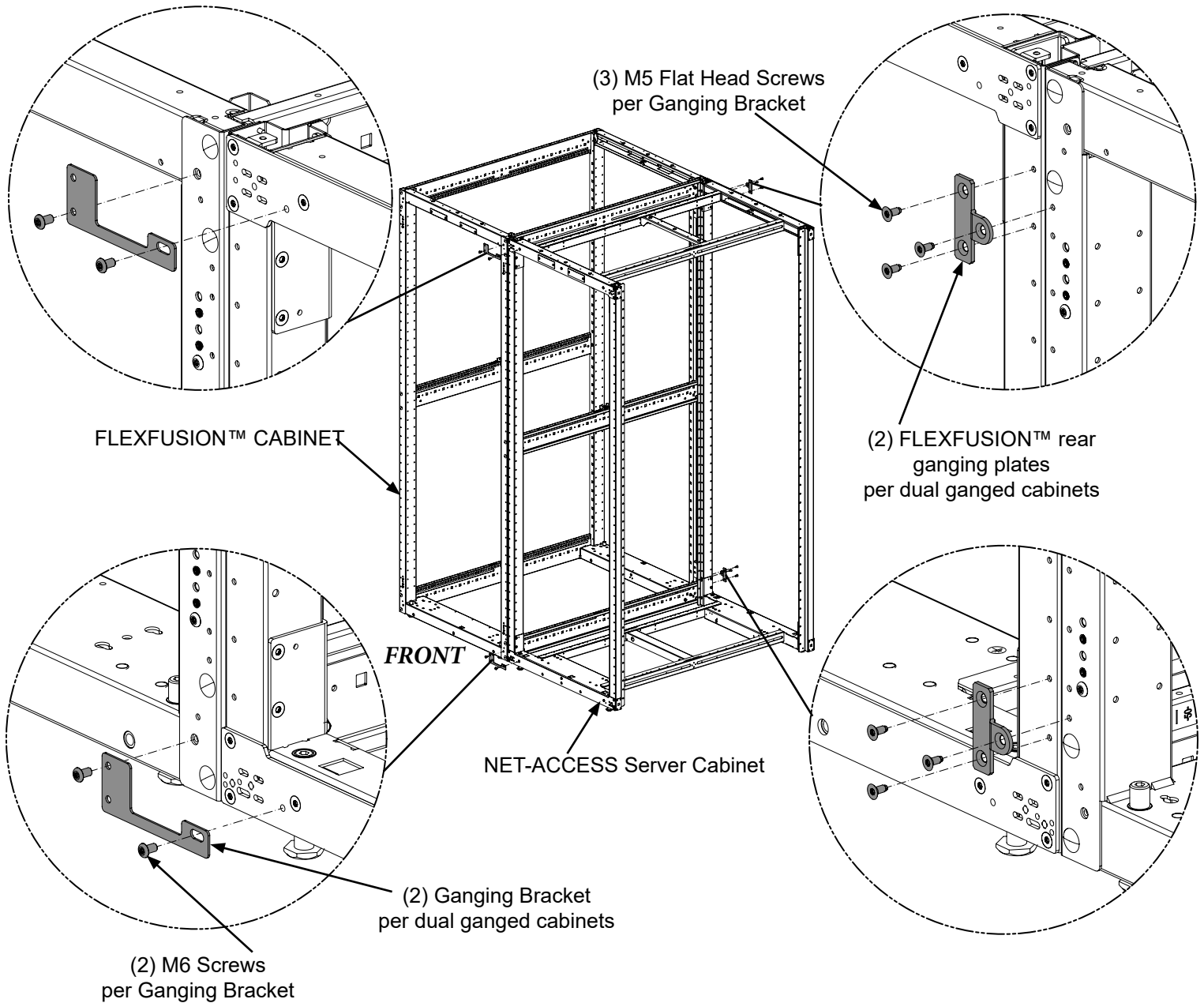
GANGING BRACKET
Qty: 04



SERVER REAR
GANGING BRACKET
Qty: 02

Ganging FLEXFUSION™ Cabinet to NET-ACCESS Server Cabinet (S-Type) Cabinet

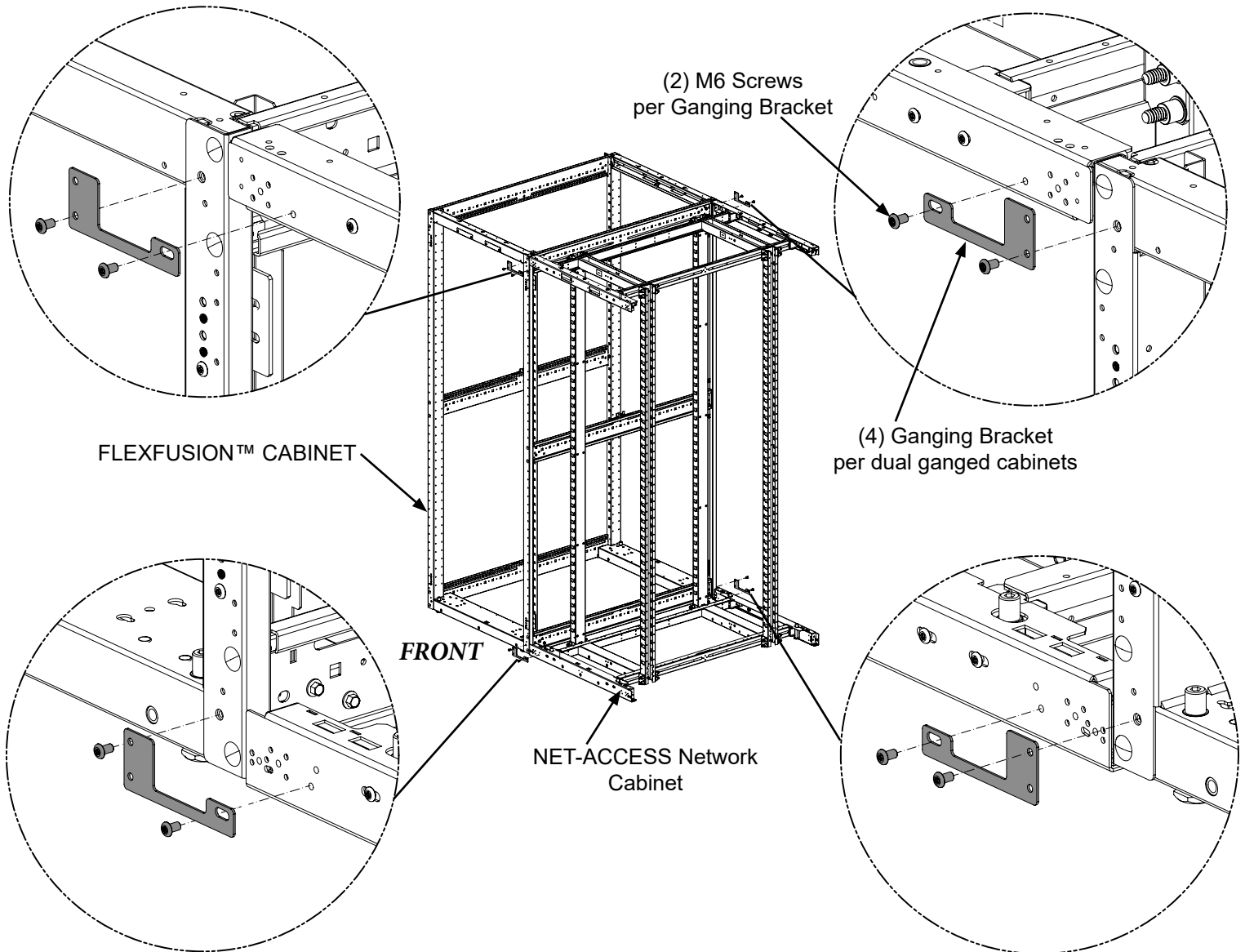
- Ensure both cabinets are level and the same height across the top
- Secure (2) Ganging Brackets to cabinets at (2) front locations using (4) M6x10mm low profile torx screws
- Secure (2) FLEXFUSION™ rear ganging plate to cabinets at (2) rear locations using (6) M5x12mm Trilob screw w/ nylon patch
- Use Ganging Brackets to cinch cabinets together



NOTE: DOORS, TOP CAPS, SIDE PANELS NOT SHOWN FOR CLARITY

Ganging FLEXFUSION™ Cabinet to NET-ACCESS Network (N-Type) Cabinet

- Ensure both cabinets are level and the same height across the top
- Secure (4) Ganging Brackets to cabinets at (2) front locations and (2) back locations using (8) M6x10mm low profile torx screws
- Use Ganging Brackets to cinch cabinets together



NOTE: DOORS, TOP CAPS, SIDE PANELS NOT SHOWN FOR CLARITY

For Instructions in Local Languages
and Technical Support:

www.panduit.com/resources/install_maintain.asp

PANDUIT

www.panduit.com

E-mail:
techsupport@panduit.com

Phone:
866-405-6654