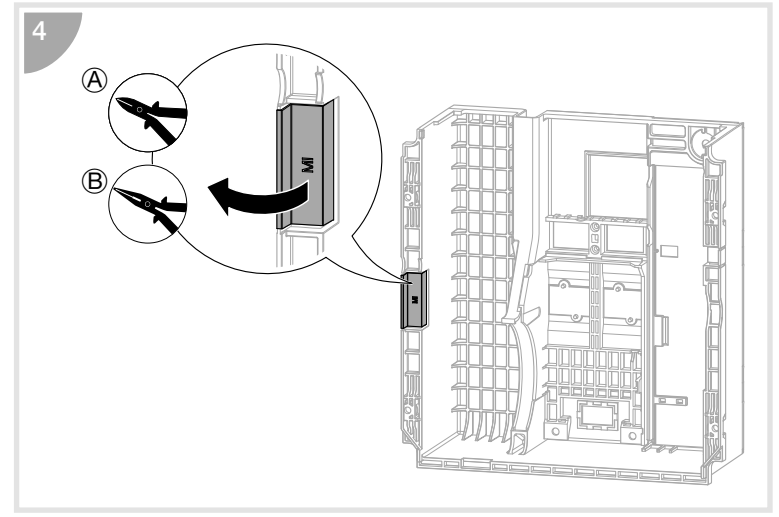
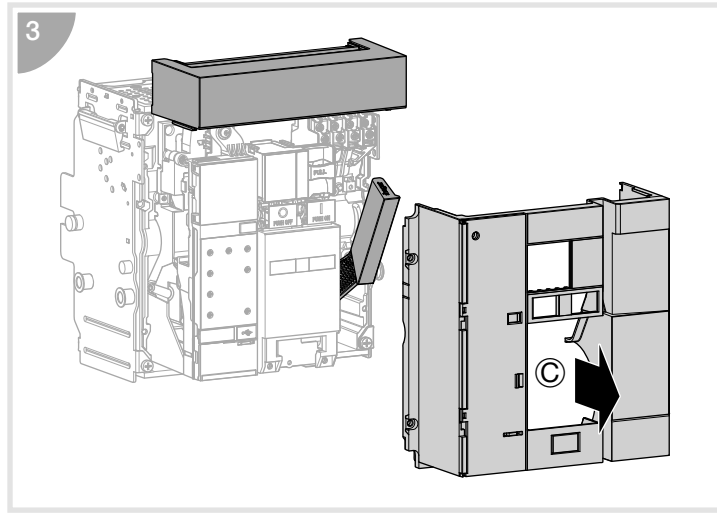
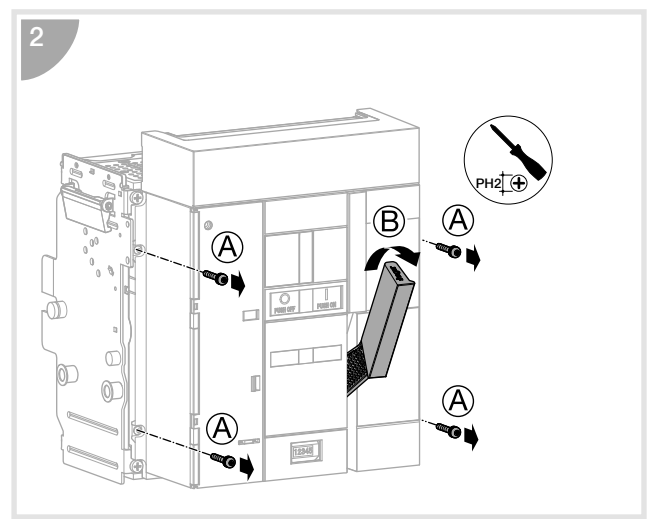
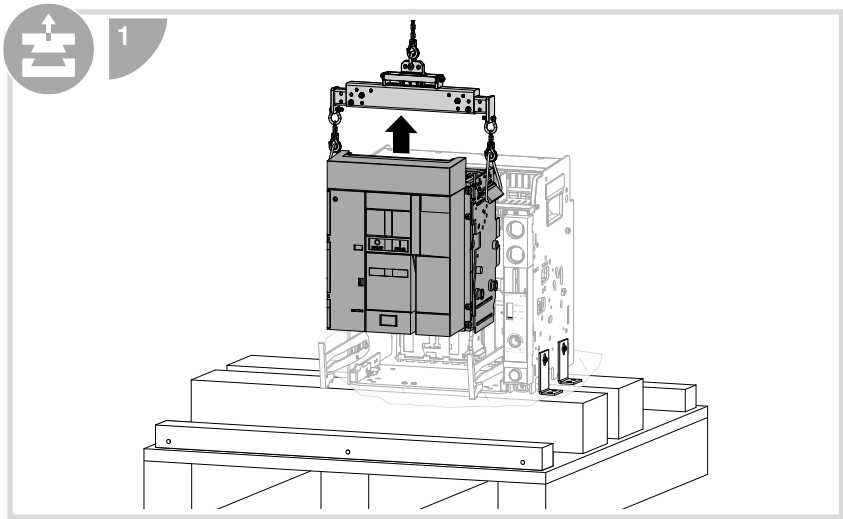
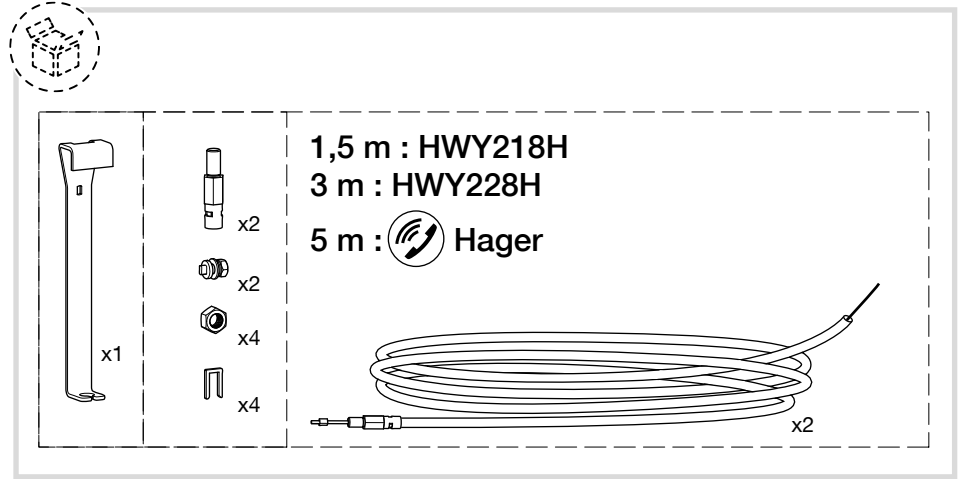
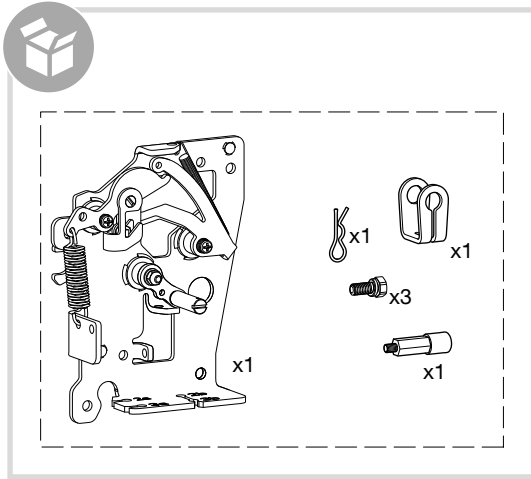
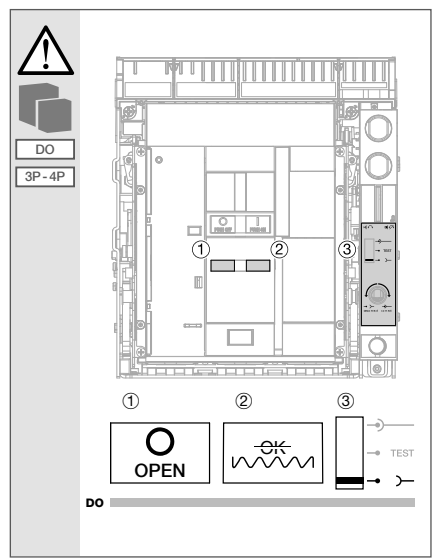
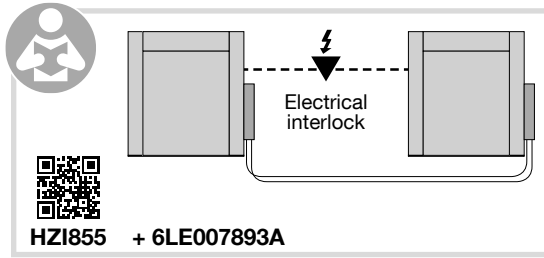
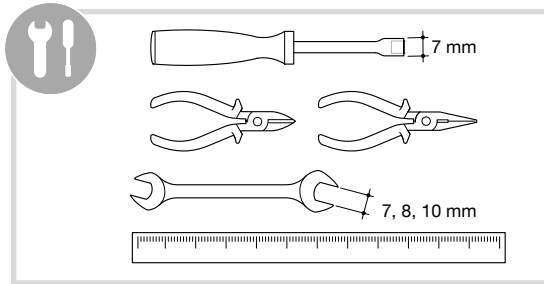
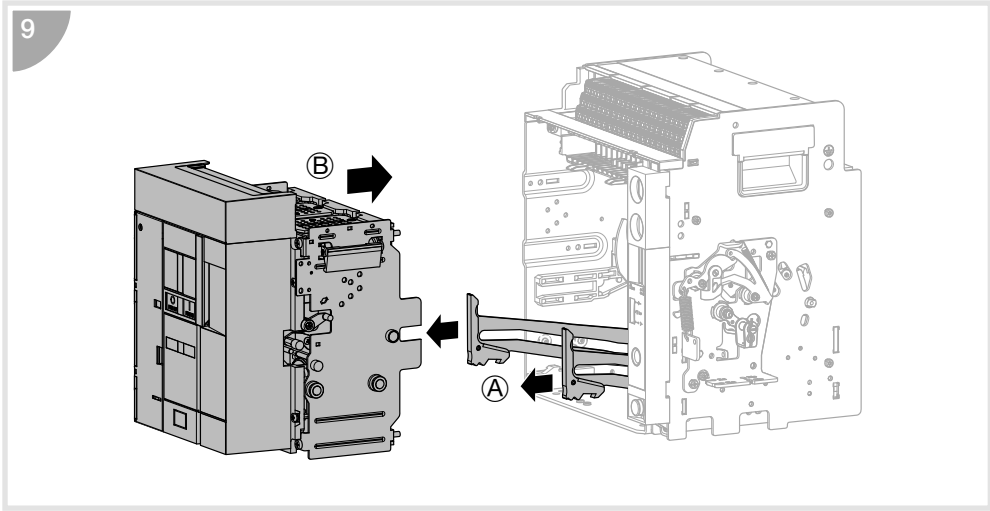
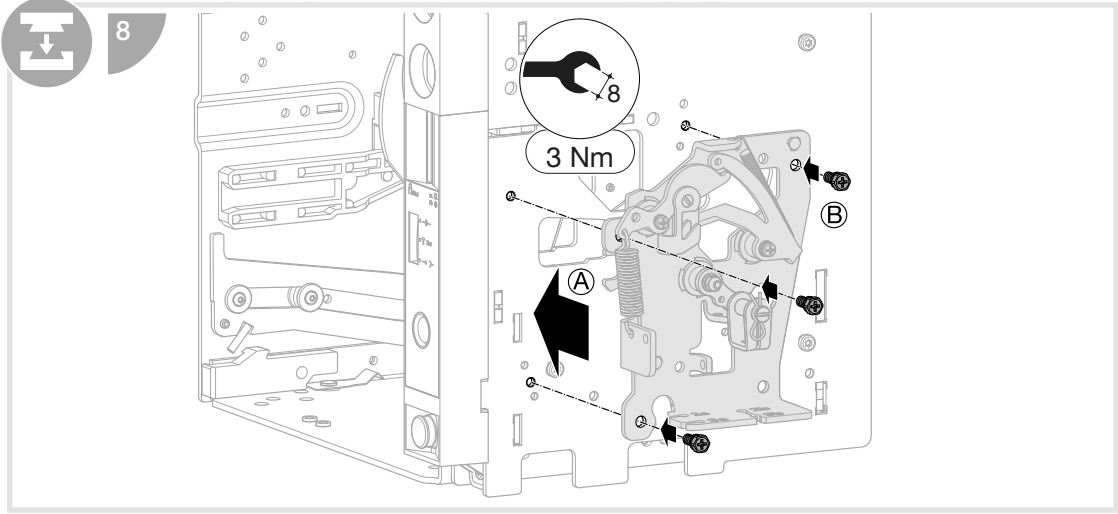
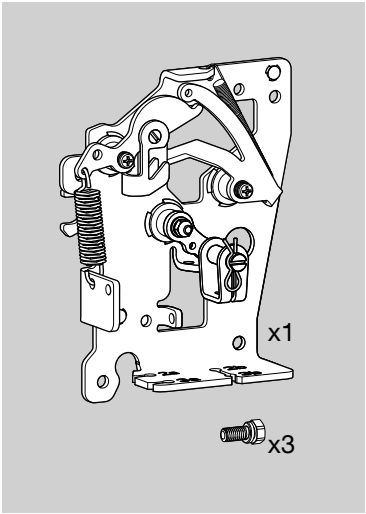
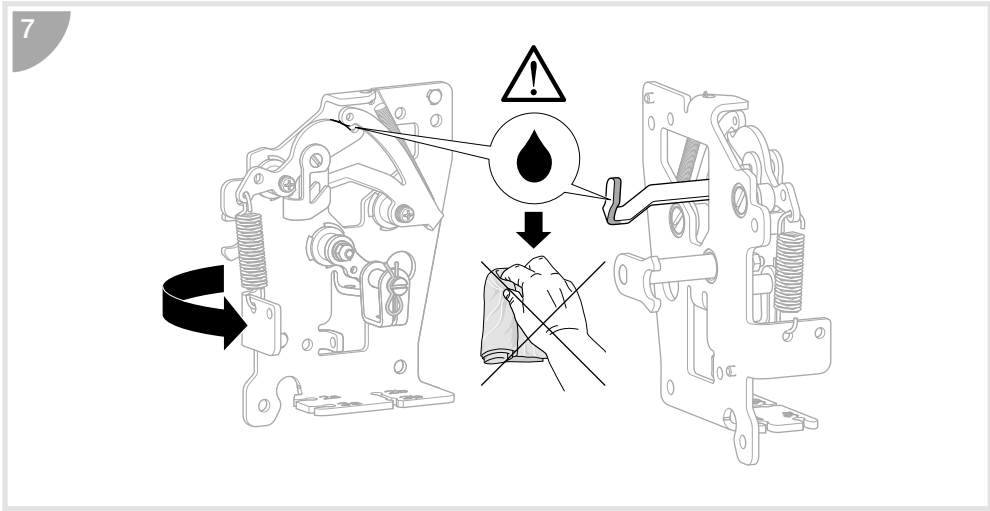
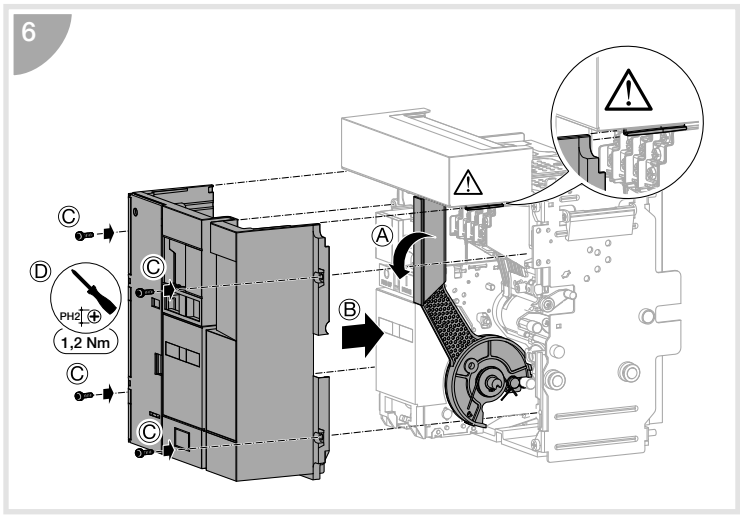
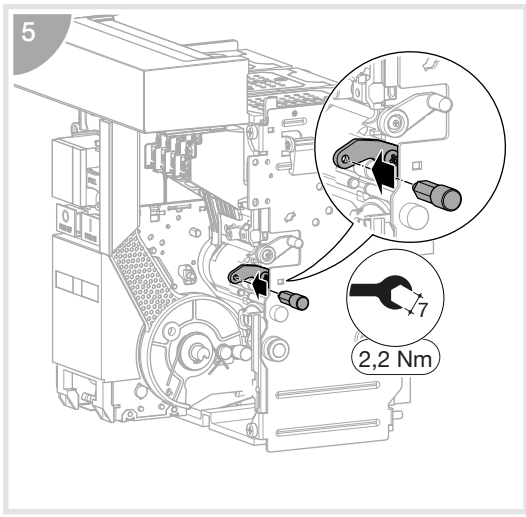
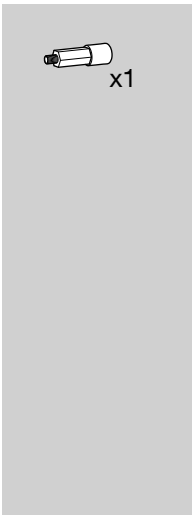


HWY225H

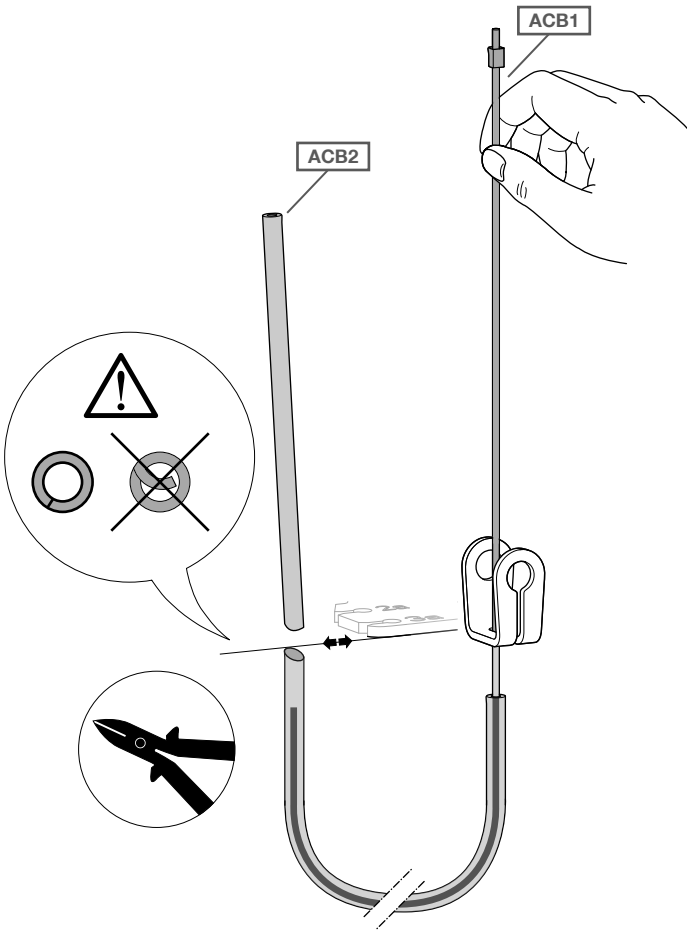




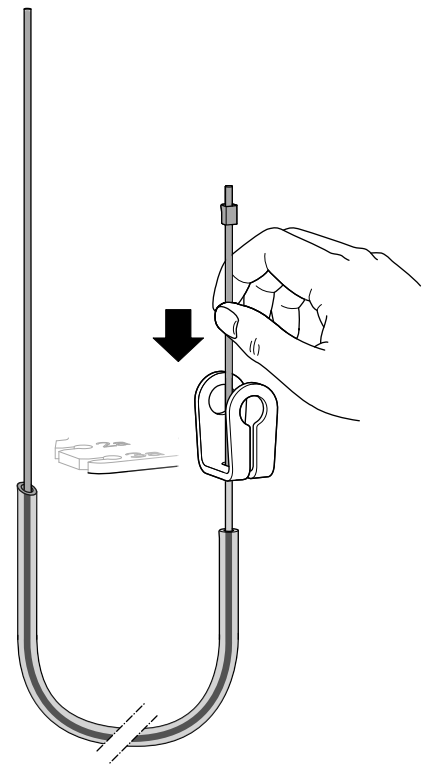




3



4



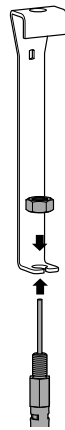
5



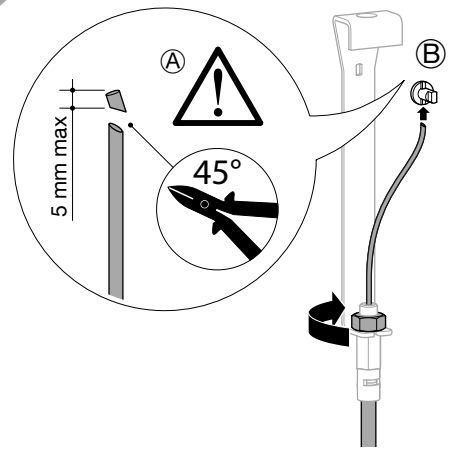
6



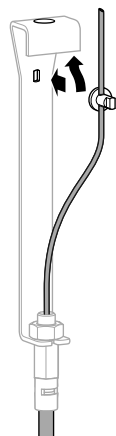
7



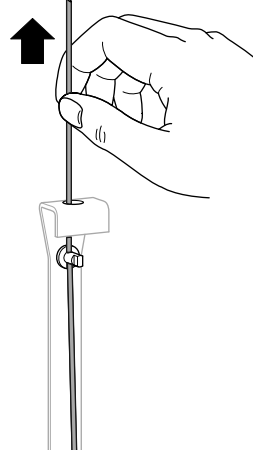
8



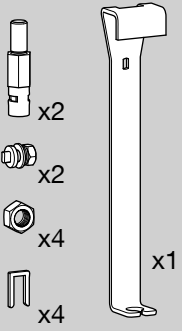
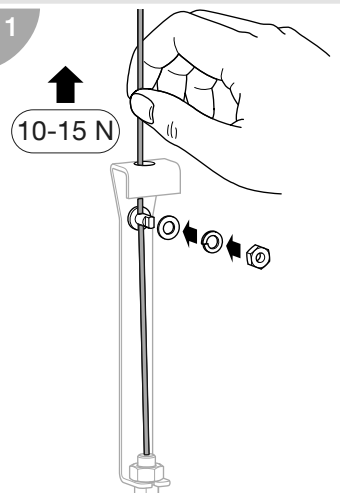
9

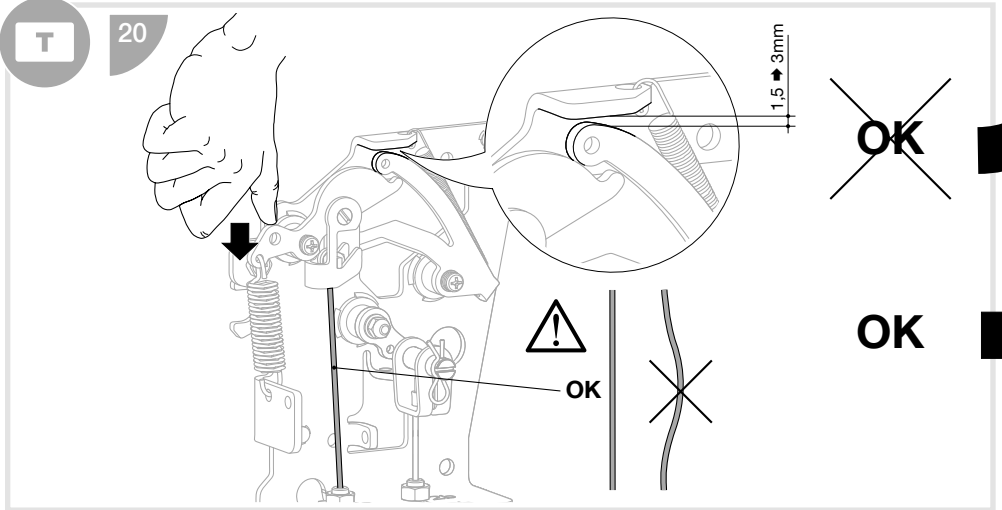
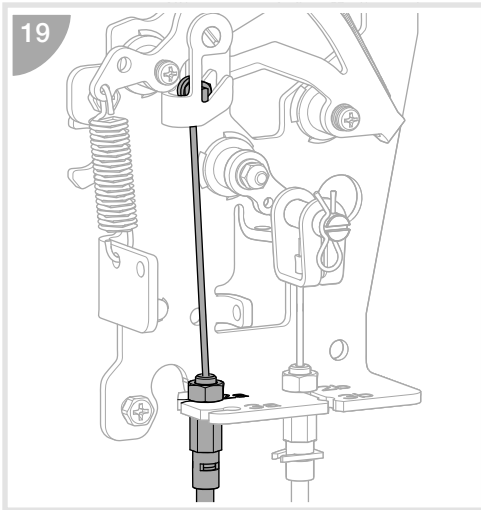
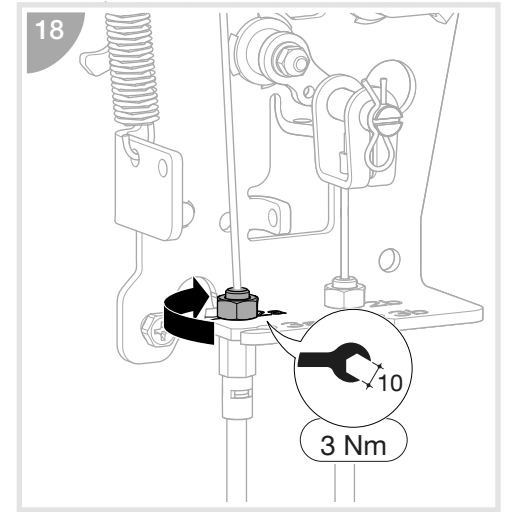
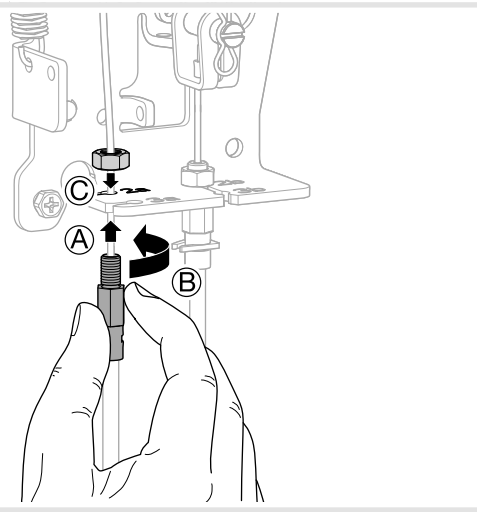
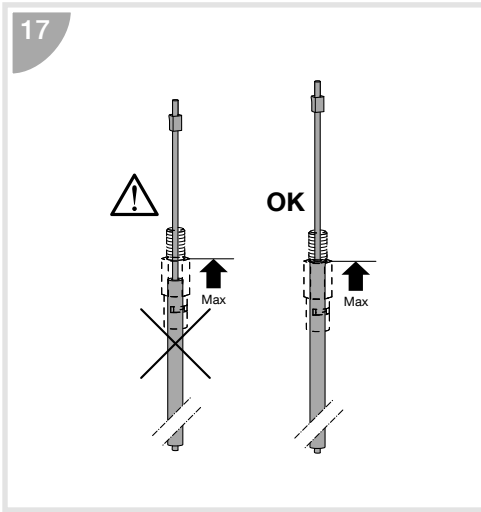
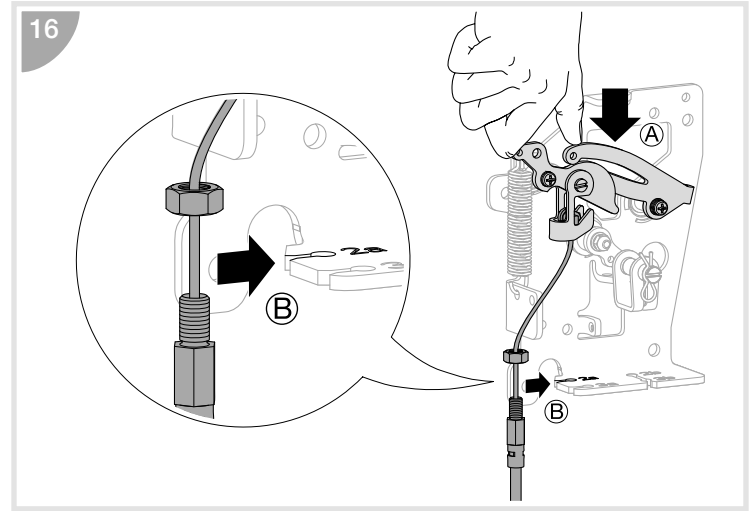
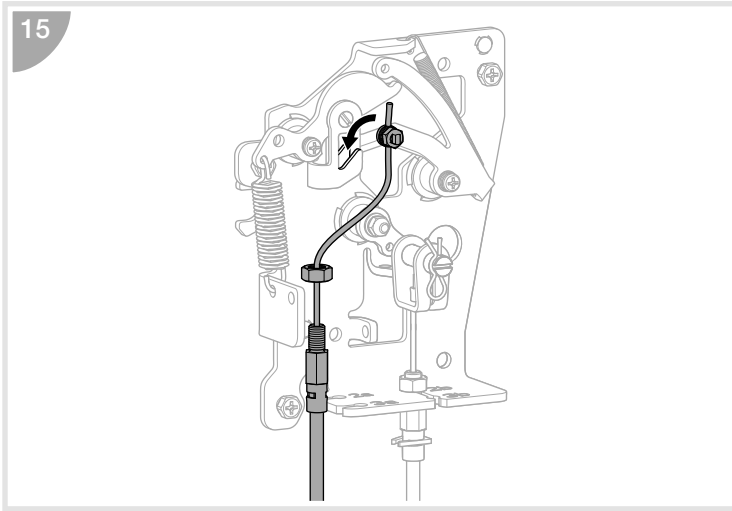
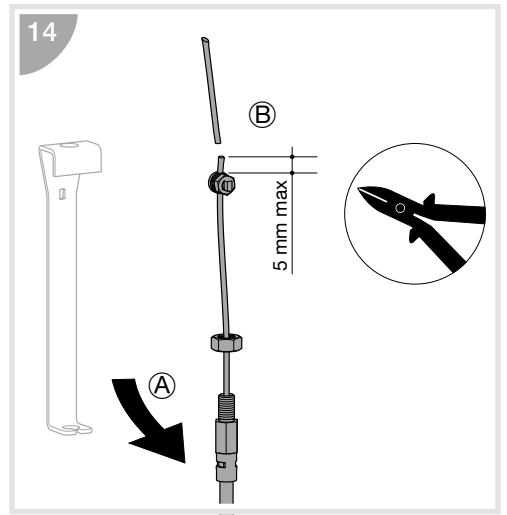
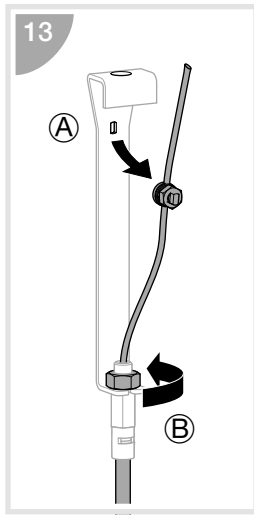
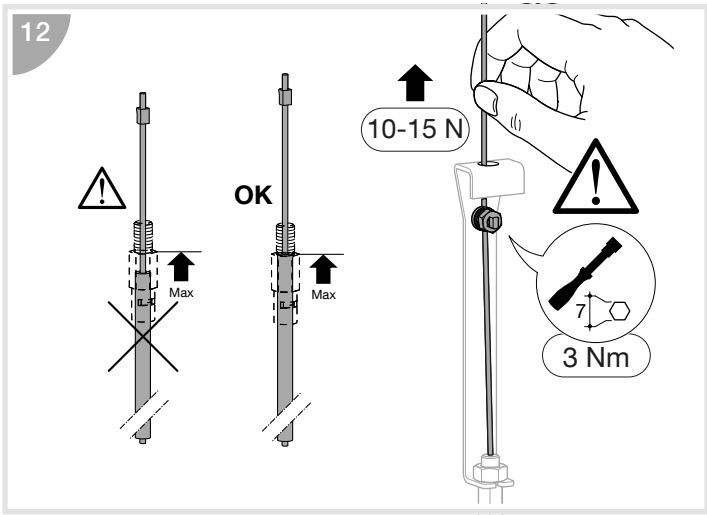


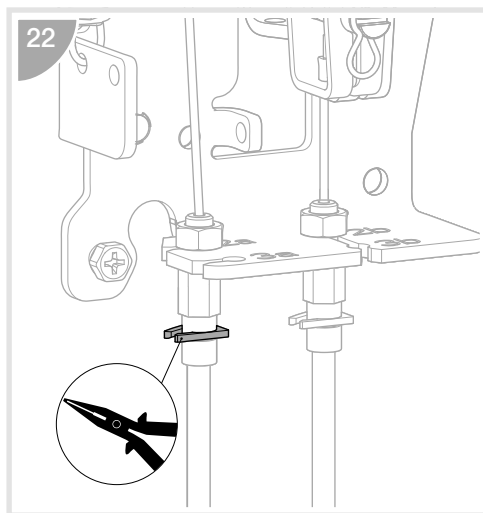
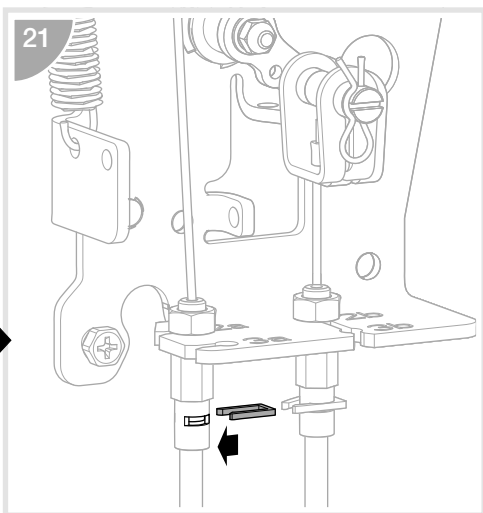
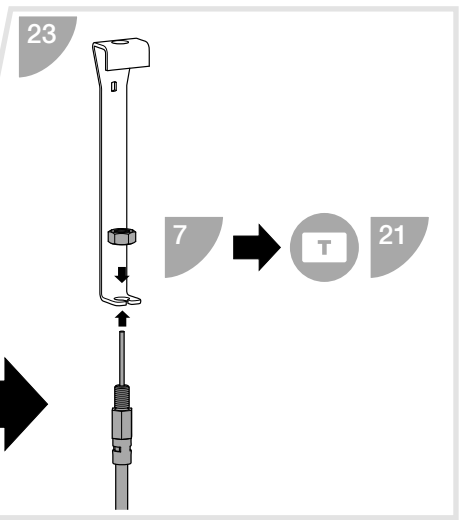
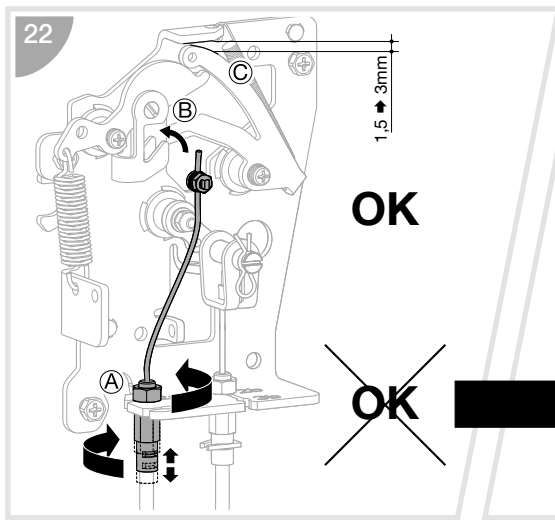
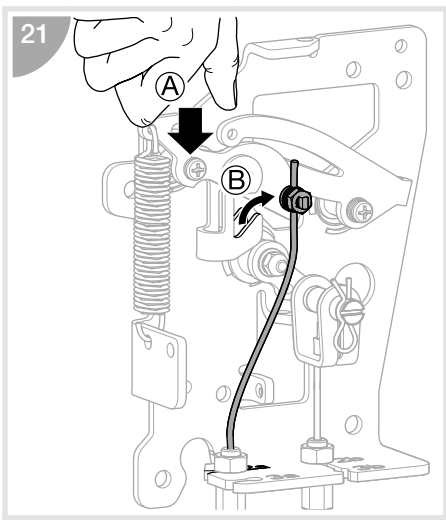
10



11







T

# TEST WARNING

ACB 1	ACB 2
0	0
1	0
0	1
1	1

