

A

OPTASON

Trumpet Horn Flashing Filament
 5W @ 1Hz BA9s Filament Bulb.
 IP Rating: IP65
 Temp: -25°C to +50°C
 Unit weight: 219g
 CE

Order code Voltage

F100TF024x 24V DC Unit
 current consumption

- Sounder 10mA
- Beacon 250mA

F100TF115x, 50/60Hz 115V AC
 Unit current consumption

- Sounder 19mA
- Beacon 35mA

F100TF230x, 50/60Hz 230V AC
 Unit current consumption

- Sounder 10mA
- Beacon 25mA

F100 TF

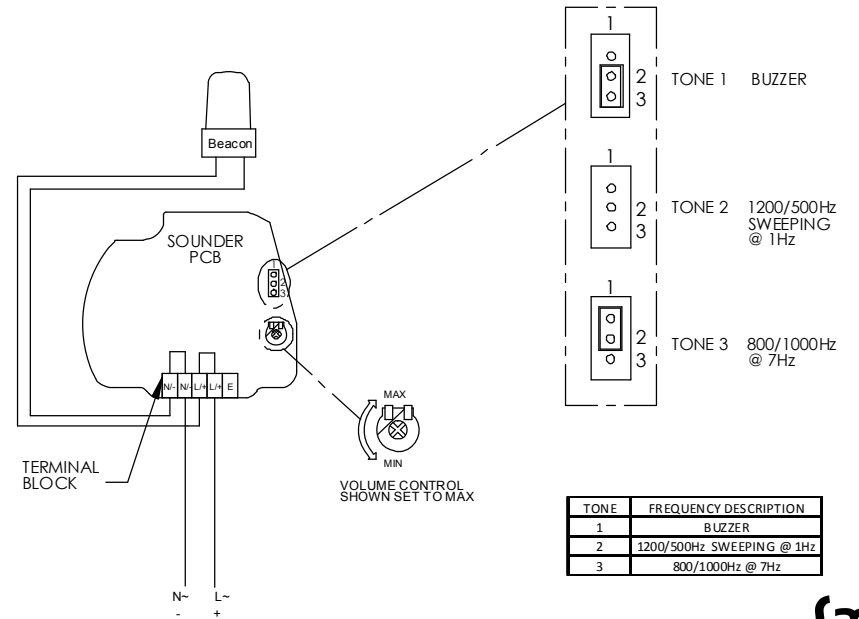
Dimensions : $\varnothing 85 \times 241.2\text{mm}$
 1.5mm² terminals
 Cable entry: 1 x 5-7mm push
 through grommet

x = Lens colour
 3 = Red 2 = Amber
 4 = Blue 0 = Clear
 6 = Green 5 = Yellow

Bulb Type BA9s

Part No. Version
 BR 10245B 24V 5W
 BR 101305B 115V 5W
 BR 102305B 230V 5W

D



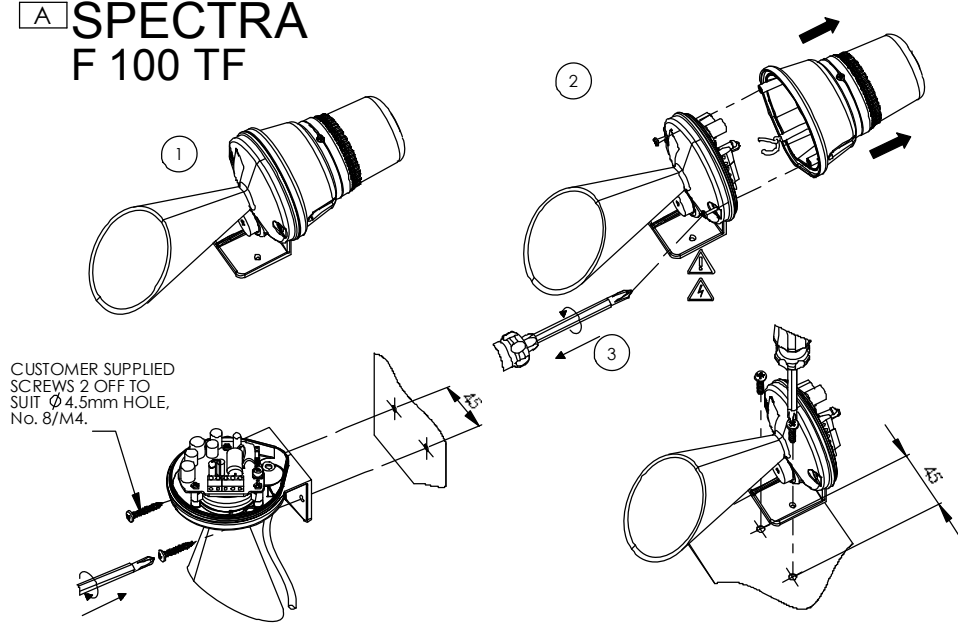
B

- ATTENTION:** Installation must be carried out by an electrician in compliance with the latest codes and regulations.
- ATTENTION:** Disconnect from power source before installation or service to prevent electric shock.
- ATTENTION:** Lens on unit will be hot allow to cool prior to removal.

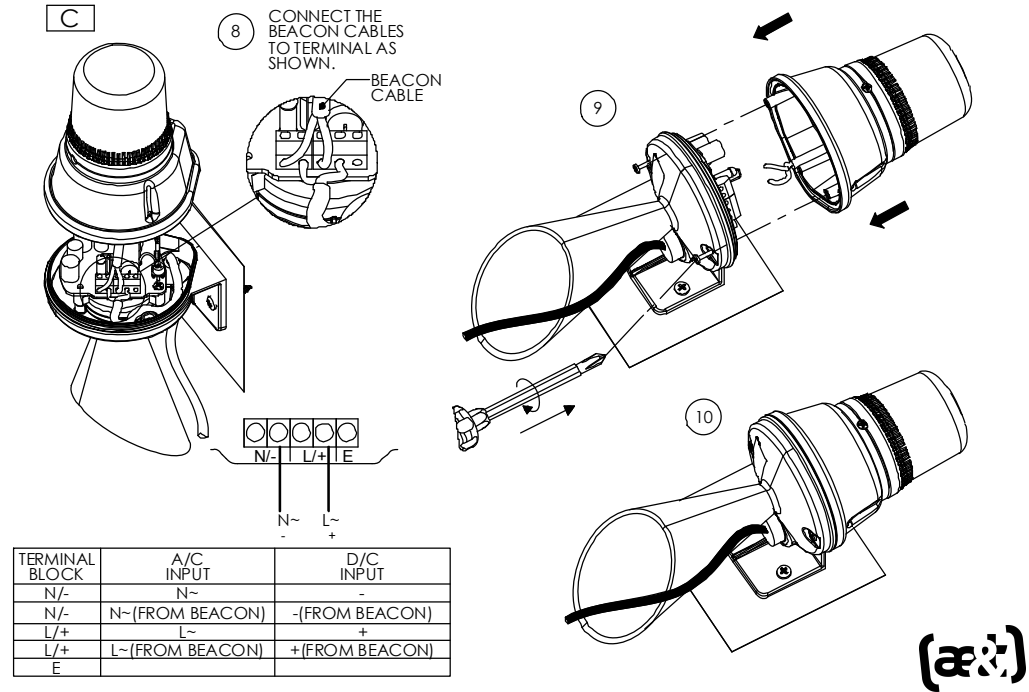
C



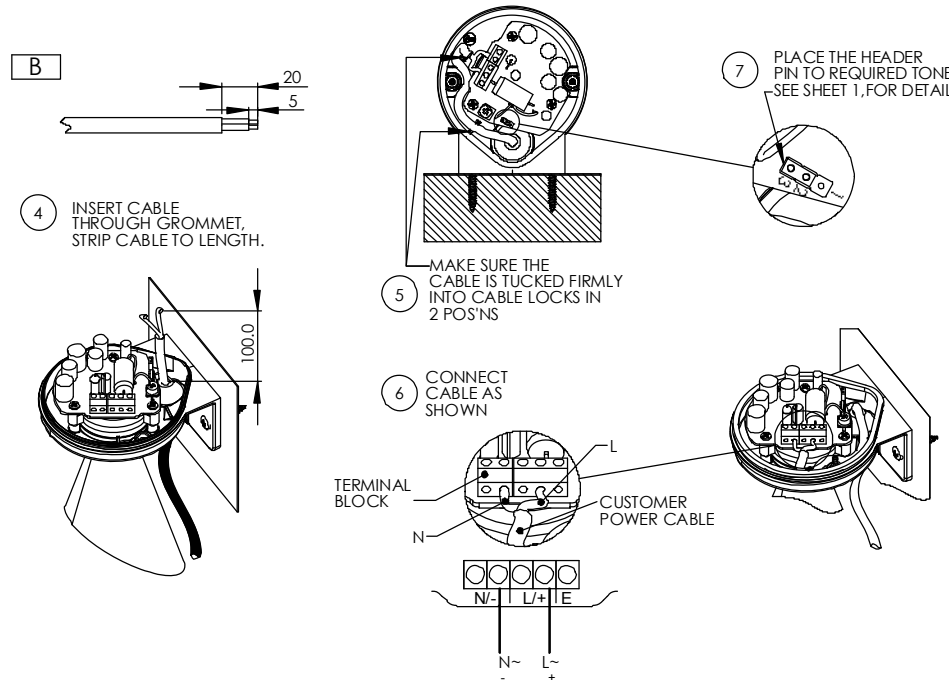
A SPECTRA F 100 TF



CUSTOMER SUPPLIED SCREWS 2 OFF TO SUIT Ø 4.5mm HOLE, No. 8/M4.



TERMINAL BLOCK	A/C INPUT	D/C INPUT
N/-	N~	-
N/+	N~(FROM BEACON)	-(FROM BEACON)
L/+	L~	+
L/+	L~(FROM BEACON)	+(FROM BEACON)
E		



Dimensions in mm

