



# I2D605M-2MCB71

midiCam2

2D MACHINE VISION

**SICK**  
Sensor Intelligence.



### Ordering information

Type	Part no.
I2D605M-2MCB71	6071831

Other models and accessories → [www.sick.com/midiCam2](http://www.sick.com/midiCam2)



### Detailed technical data

#### Features

<b>Task</b>	Inspection
<b>Technology</b>	2D snapshot
<b>Product category</b>	Streaming, flexible
<b>Sensor</b>	CMOS monochrome
<b>Sensor used</b>	Sony IMX264
<b>Shutter technology</b>	Global-Shutter
<b>Illumination</b>	To be ordered separately as accessories
<b>Further functions</b>	Line mode, area of interest, long exposure
<b>Lens</b>	C-mount
Optical format	2/3"
Note	To be ordered separately as accessories

#### Mechanics/electronics

<b>Connection type</b>	M12, 8-pin male connector, A-coded (2 GPIOs, 1 digital input, 1 digital output)
<b>Supply voltage</b>	12 V ... 24 V <sup>1)</sup>
<b>Power consumption</b>	≤ 2.9 W
<b>Enclosure rating</b>	IP65 IP67
<b>Weight</b>	52 g
<b>Dimensions (L x W x H)</b>	42.7 mm x 53 mm x 41 mm

<sup>1)</sup> Or PoE.

#### Performance

<b>Bit depth</b>	12 bit
<b>Sensor resolution</b>	2,448 px x 2,048 px (5.01 Mpixel)
<b>Sensor size</b>	8.446 mm x 7.066 mm
<b>Scan/frame rate</b>	24 fps, in freerun mode
<b>Memory</b>	128 MB
<b>Exposure time</b>	0.035 ms ... 2,000 ms
<b>Pixel size</b>	3.45 μm

## Interfaces

<b>Ethernet</b>	✓, UDP/IP
Data transmission rate	1,000 Mbit/s
<b>Configuration software</b>	SICK Vision Suite

## Ambient data

<b>Shock load</b>	80 g, EN 60068-2-27 (1995-03), EN 60068-2-29 (1995-03)
<b>Vibration load</b>	10 g, 30 Hz ... 500 Hz, EN 60068-2-6 (1996-05)
<b>Ambient operating temperature</b>	0 °C ... +55 °C <sup>1)</sup>
<b>Storage temperature</b>	-20 °C ... +60 °C <sup>1)</sup>

<sup>1)</sup> Relative humidity: 0% ... 100%.

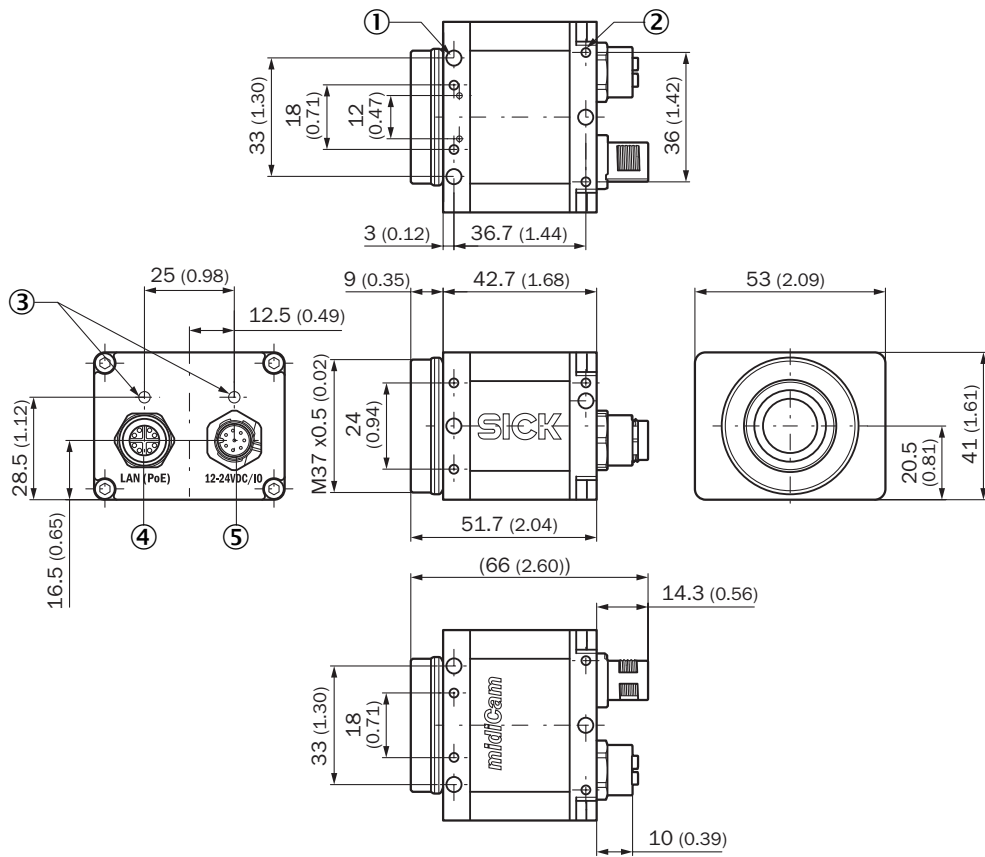
## General notes

<b>Note</b>	Not free of paint wetting impairment substances.
-------------	--

## Classifications

<b>ECLASS 5.0</b>	27310205
<b>ECLASS 5.1.4</b>	27310205
<b>ECLASS 6.0</b>	27310205
<b>ECLASS 6.2</b>	27310205
<b>ECLASS 7.0</b>	27310205
<b>ECLASS 8.0</b>	27310205
<b>ECLASS 8.1</b>	27310205
<b>ECLASS 9.0</b>	27310205
<b>ECLASS 10.0</b>	27310205
<b>ECLASS 11.0</b>	27310205
<b>ECLASS 12.0</b>	27310205
<b>ETIM 5.0</b>	EC001820
<b>ETIM 6.0</b>	EC001820
<b>ETIM 7.0</b>	EC001820
<b>ETIM 8.0</b>	EC001820
<b>UNSPSC 16.0901</b>	43211731

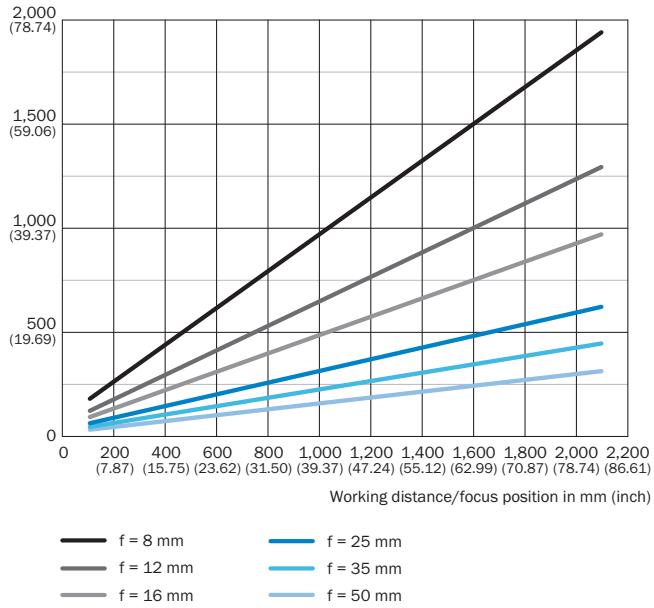
Dimensional drawing (Dimensions in mm (inch))



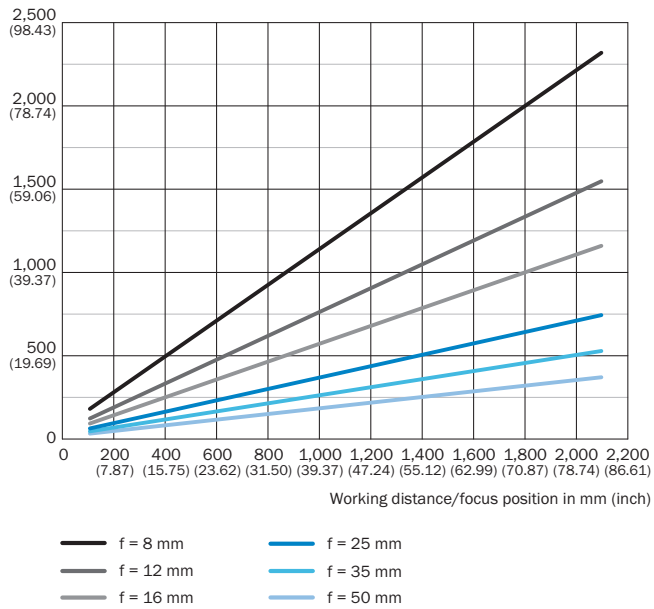
- ① M5 blind tapped holes, 6 mm deep (10 x), for mounting
- ② Blind hole thread M3, 5 mm deep (14 x), for mounting
- ③ LED for status display (2 x)
- ④ M12, 8-pin female connector, X-coded (Gigabit Ethernet)
- ⑤ I/O power connection, male connector, M12, 8-pin, A coded, Binder

### Field of view

Field of view y in mm (inch)






Field of view x in mm (inch)



### Recommended accessories

Other models and accessories → [www.sick.com/midiCam2](http://www.sick.com/midiCam2)

	Brief description	Type	Part no.
Others			
	<ul style="list-style-type: none"> <li>• <b>Connection type head A:</b> Male connector, M12, 5-pin, A-coded</li> <li>• <b>Connection type head B:</b> Female connector, M12, 8-pin, A-coded</li> <li>• <b>Cable:</b> 1 m</li> <li>• <b>Description:</b> Shielded, Connecting cable for all midiCam(2) cameras to SIMxxxx M12 variants (sensor connection)</li> </ul>	YM2AA5-010UB6F2A28	2087091
	<ul style="list-style-type: none"> <li>• <b>Connection type head A:</b> Male connector, M12, 5-pin, A-coded</li> <li>• <b>Connection type head B:</b> Female connector, M12, 8-pin, A-coded</li> <li>• <b>Cable:</b> 3 m</li> <li>• <b>Description:</b> Shielded, Connecting cable for all midiCam(2) cameras to SIMxxxx M12 variants (sensor connection)</li> </ul>	YM2AA5-030UB6F2A28	2087092
	<ul style="list-style-type: none"> <li>• <b>Connection type head A:</b> Male connector, M12, 5-pin, A-coded</li> <li>• <b>Connection type head B:</b> Female connector, M12, 8-pin, A-coded</li> <li>• <b>Cable:</b> 5 m</li> <li>• <b>Description:</b> Shielded, Connecting cable for all midiCam(2) cameras to SIMxxxx M12 variants (sensor connection)</li> </ul>	YM2AA5-050UB6F2A28	2087093

### Recommended services

Additional services → [www.sick.com/midiCam2](http://www.sick.com/midiCam2)

	Type	Part no.
Extended warranty		
<ul style="list-style-type: none"> <li>• <b>Product area:</b> Identification solutions, machine vision, Detection and ranging solutions, safety camera sensors, Safety laser scanners, Safety radar sensors</li> <li>• <b>Range of services:</b> The services correspond to the scope of the statutory manufacturer warranty (SICK general terms of delivery).</li> <li>• <b>Duration:</b> Five-year warranty from delivery date.</li> </ul>	Extended warranty for a total of five years from delivery date	1680671

## SICK AT A GLANCE

SICK is one of the leading manufacturers of intelligent sensors and sensor solutions for industrial applications. A unique range of products and services creates the perfect basis for controlling processes securely and efficiently, protecting individuals from accidents and preventing damage to the environment.

We have extensive experience in a wide range of industries and understand their processes and requirements. With intelligent sensors, we can deliver exactly what our customers need. In application centers in Europe, Asia and North America, system solutions are tested and optimized in accordance with customer specifications. All this makes us a reliable supplier and development partner.

Comprehensive services complete our offering: SICK LifeTime Services provide support throughout the machine life cycle and ensure safety and productivity.

For us, that is “Sensor Intelligence.”

## WORLDWIDE PRESENCE:

Contacts and other locations –[www.sick.com](http://www.sick.com)