

Part number

CKAXXW 03IA4



Angled Bulkhead mounting housing, W-TYPE series, with 1 lever without cable entry, size "21.21"

Product description

Product type	Angled bulkhead mounting housing
Series	W-TYPE
Closing type	With 1 lever
Size	Size "21.21"
Cable entry	Without cable entry
Specification	Fixing by 4 screws

Technical data

IP degree of protection	IP44 - IP66 / IP67 / IP69 with CKR 65 (D)
--------------------------------	-------------------------------------------

Further technical details

Weight	84,30 g
Operating temperature range (min, max)	-40°C...+125°C

Material properties

Main material	Zinc die-cast
Other materials	Lever: Stainless steel Gasket: FKM
Colour	RAL 7040 grey
RoHs conformity	Compliant
China RoHs - EFUP	E
REACH SVHC substances	No

Approvals / Standards

Certifications	DNV, BV
UL	ECBT2
cUL	ECBT8

General ordering information

EAN13 code	8015747253796
eCl@ss 8.1	27440202
ETIM 7.0	EC000437

Packaging Information

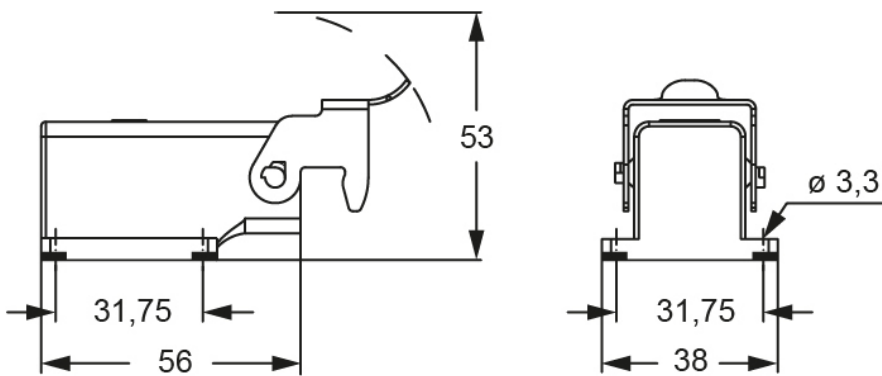
Packaging length	255,00 mm
Packaging height	150,00 mm
Packaging width	180,00 mm
Packaging weight	8,53 kg
Packaging volume	6,89 dm ³
Packaging description	Carton box
Packaging quantity	100 Pcs
Packaging EAN code	8015747261852
Sub-packaging length	210,00 mm
Sub-packaging height	40,00 mm
Sub-packaging width	175,00 mm
Sub-packaging weight	0,85 kg
Sub-packaging volume	1,47 dm ³
Sub-packaging description	Carton box
Sub-packaging quantity	10 Pcs
Sub-packaging EAN barcode	8015747253819

Part number

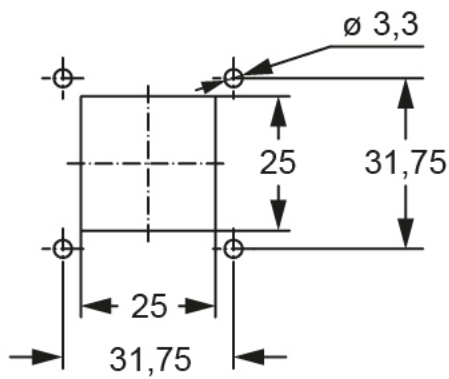
CKAXXW 03IA4



Catalogue drawings



Catalogue drawings



Notes

Dimensions shown in mm are not binding and may be changed without notice.