

Product designation				Rotary cam switches
Product type designation				GN315
<b>General characteristics</b>				
Switching diagram				26 - 3-phase motor reversing switch with spring return
N° of elements				3
Mounting form				U - Front mounting with black handle
<b>Contact characteristics</b>				
Rated insulation voltage $U_i$	IEC/EN	V	690	
	UL/CSA	V	600	
Rated impulse withstand voltage $U_{imp}$		kV	8	
Conventional free air thermal current $I_{th}$	IEC/EN	A	315	
	UL/CSA	A	255	
Rated operational voltage		V	690	
Rated operational impulse voltage		kV	6	
Maximum fuse size for short-circuit protection $I_n$ (gG)	10kA	A	315	
	15kA	A	315	
Rated short time current $I_{cw}$		1s	A	5200
	Operational current $I_e$ IEC/EN AC1/AC21A			A 315
Rated operational power in AC	Three-phase AC-3			
	220/230V	kW	37	
	380/440V	kW	55	
	500/690V	kW	69	
	Single-phase AC-3			
	110V	kW	11	
	220/230V	kW	22	
380/440V	kW	30		
Rated operational current in DC DC21A	48V	A	200	
	60V	A	200	
	110V	A	35	
	220V	A	2.5	
	440V	A	0.9	
		W	64.5	
<b>Mechanical features</b>				
Terminals screw				M10
Tightening torque for terminals max				Nm 10
Conductor size	AWG - Rigid cable			
	Max	AWG	1XMCM350	

AWG - Flexible cable	Max	AWG	1XMCM350
Conductor size (IEC) - Flexible cable	Max	mm <sup>2</sup>	1X185
Conductor size (IEC) - Rigid cable	Max	mm <sup>2</sup>	1X185
Mechanical life		cycles	2X10 <sup>5</sup>

**UL technical data**

Motor power for direct-on-line control

for three-phase motor

120V	HP	30
240V	HP	50
480V	HP	100
600V	HP	75

for single-phase motor

120V	HP	15
240V	HP	30

**Ambient conditions**

Temperature

Operating temperature

min	°C	-25
max	°C	+55

Storage temperature

min	°C	-40
max	°C	+70

**Resistance & Protection**

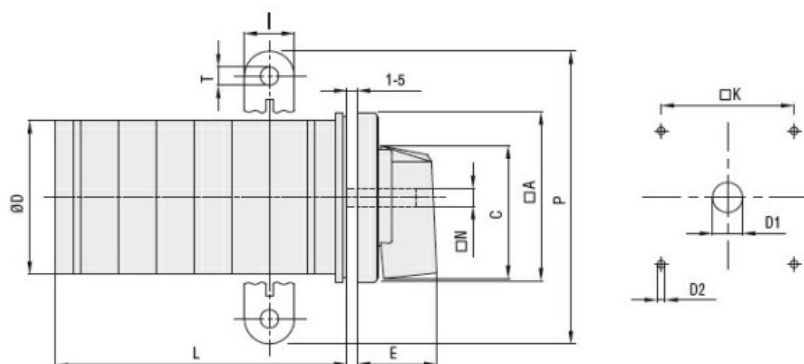
Frontal IP degree

IP40

Terminals IP degree

IP00

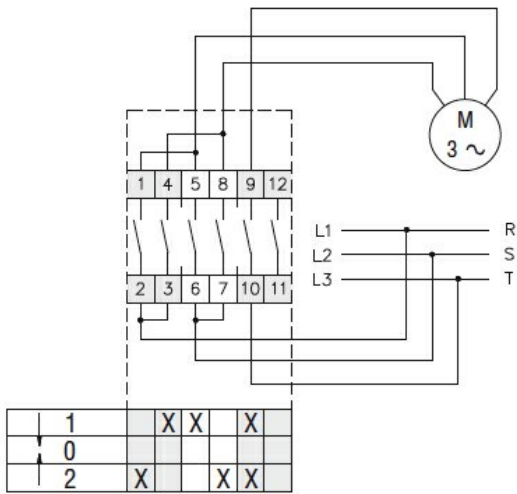
**Dimensions**



Series	Dimensions											L Number of elements ①											
	□A	C	ØD	ØD1	ØD2	E	I	□K	□N	P	ØT	1	2	3	4	5	6	7	8	9	10	11	12
<b>GN200</b>	132	104	120	16	5.3	56	20	104	10	140	10.5	77	107	136	166	196	226	284	314	343	373	402	432
<b>GN315</b>	132	104	120	16	5.3	56	20	104	10	145	10.5	77	107	136	166	196	226	284	314	343	373	402	432

① For devices with 6 or more elements please consult Technical support, see contact details on inside front cover.

**Wiring diagrams**



**Certifications and compliance**

Compliance

IEC/EN/BS 60947-1  
IEC/EN/BS 60947-3  
IEC/EN/BS 60947-5-1  
UL60947-4-1

Certificates

UR

**ETIM classification**

ETIM 8.0

EC001029 -  
Selector switch,  
complete