

COUDE 90 P31 FB H50 50 à 600  
Flat bend P31 50x50 to 600

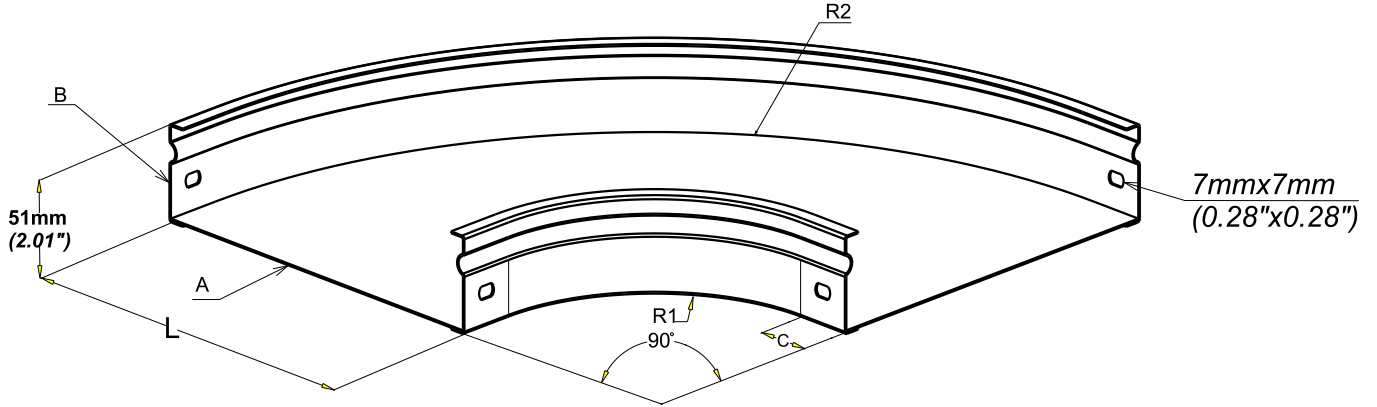
GS  
PG

**legrand** | CABLE  
MANAGEMENT

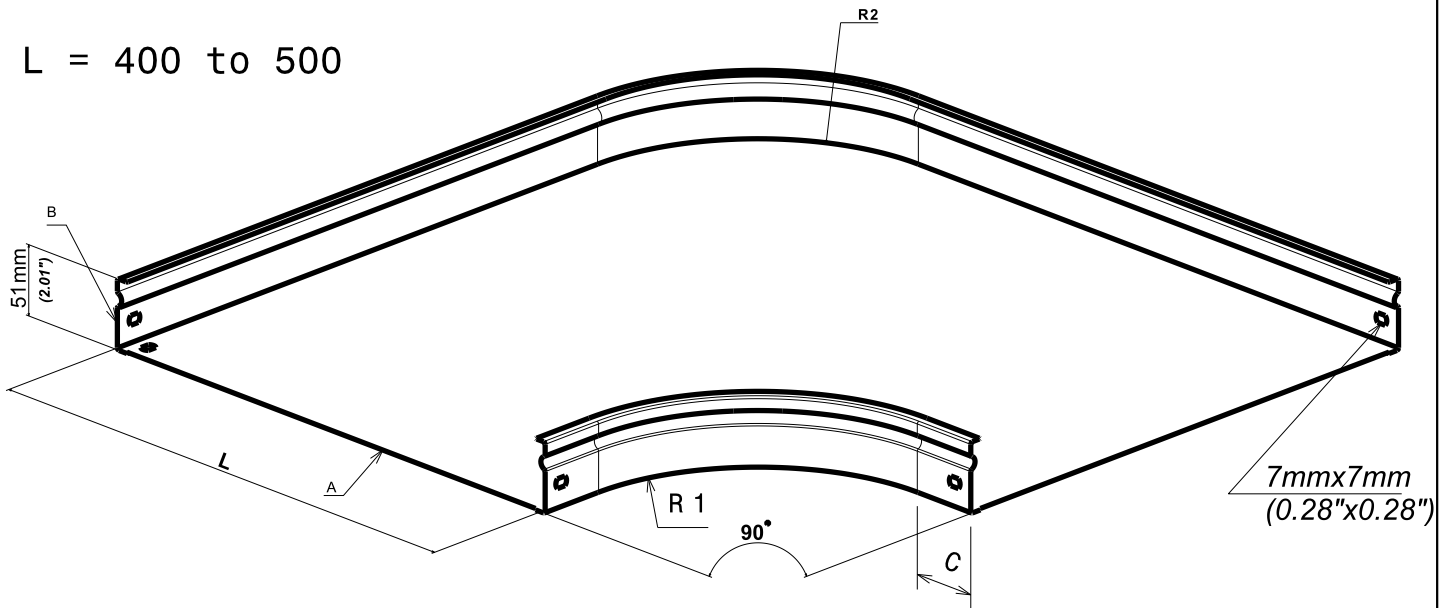
FT0526-0

10 16

L = 50 to 300



L = 400 to 500



<b>Material</b>	<b>Standard</b>
DX 51 D Z 200 MAC	EN 10 346

REF	CODE	L / L		A / A		B / B		C / C		R 1 / R 1		R 2 / R 2	
		(mm)	(inch)	(mm)	(inch)	(mm)	(inch)	(mm)	(inch)	(mm)	(inch)	(mm)	(inch)
P31 FB 50x50	340 914	50	(1.97")	0.8	(0.032")	1	(0.039")	30	(1.18")	20	(1.78")	/	/
P31 FB 50x75	340 789	75	(2.92")	0.8	(0.032")	1	(0.039")	30	(1.18")	100	(3.94")	/	/
P31 FB 50x100	340 915	100	(3.94")	0.8	(0.032")	1	(0.039")	30	(1.18")	100	(3.94")	/	/
P31 FB 50x150	340 916	150	(5.91")	0.8	(0.032")	1	(0.039")	30	(1.18")	100	(3.94")	/	/
P31 FB 50x200	340 917	200	(5.91")	0.8	(0.032")	1	(0.039")	30	(1.18")	100	(3.94")	/	/
P31 FB 50x300	340 918	300	(7.87")	1	(0.039")	1	(0.039")	30	(1.18")	100	(3.94")	/	/
P31 FB 50x400	340 919	400	(11.81")	1	(0.039")	1	(0.039")	50	(1.97")	150	(5.91")	150	(5.91")
P31 FB 50x500	340 920	500	(19.69")	1	(0.039")	1	(0.039")	50	(1.97")	150	(5.91")	150	(5.91")
P31 FB 50x600	340 921	600	(23.62")	1	(0.039")	1	(0.039")	50	(1.97")	150	(5.91")	150	(5.91")

Propriété exclusive de LEGRAND, ne peut être ni copié, ni transmis à des tiers sans autorisation écrite.

Exclusive property of LEGRAND shouldn't be reproduced or transmitted to any people without written authorization