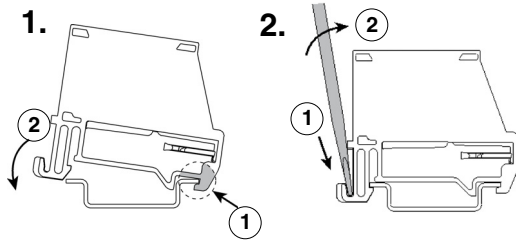
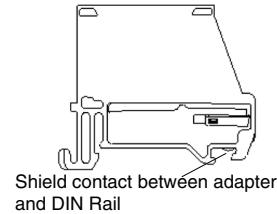
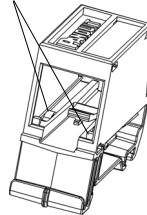


Adapter Installation and Removal

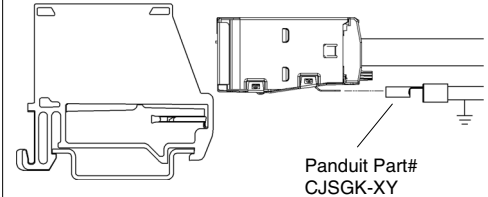


Shielded DIN Adapter Used With Shielded Jack Module

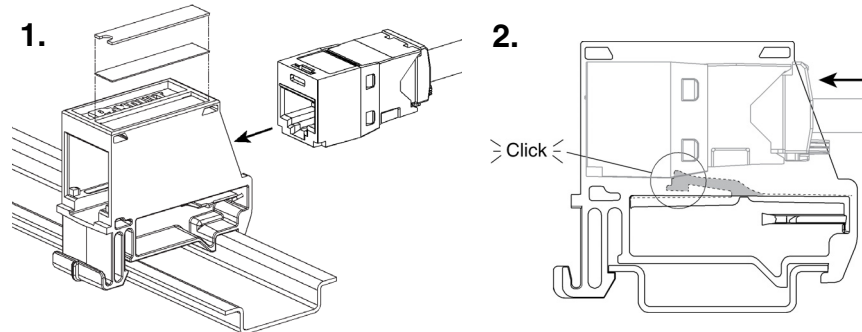
Shield contact between adapter and Jack Module



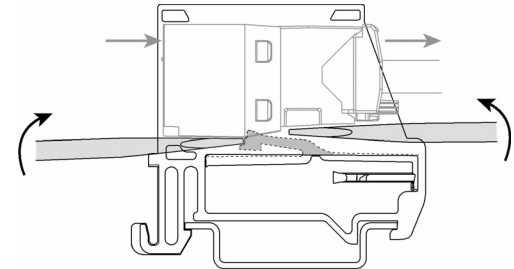
Non-Shielded DIN Adapter Used With Shielded Jack Module



Module / Label / Label Cover Installation



Module Removal



Release latch can be depressed from either side using screwdriver