



Product designation Star-delta starter
Product type designation BFA009

Electrical features

Maximum operating current ($\leq 440V$) A 16

Components

Contactor standard supplied BF0910A /
BF0901A /
BF0910A

Thermal relay standard supplied No

Thermal relay to purchase separately RF38

Auxiliary contact standard supplied BFX1020 //
BFX1011

Contact characteristics

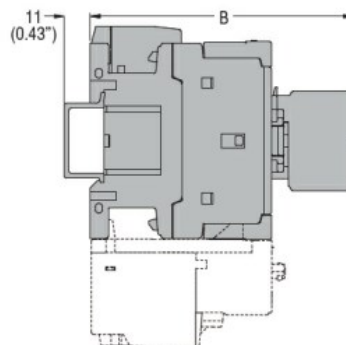
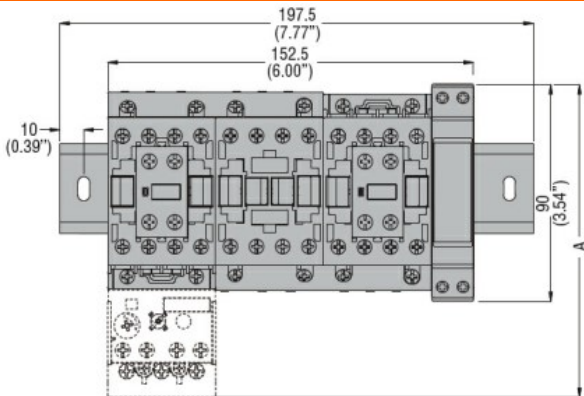
IEC standard motor powers

| | | | |
|--|------|----|-----|
| | 230V | kW | 4 |
| | 400V | kW | 7.5 |
| | 440V | kW | 7.5 |
| | 500V | kW | 7.5 |

Mechanical features

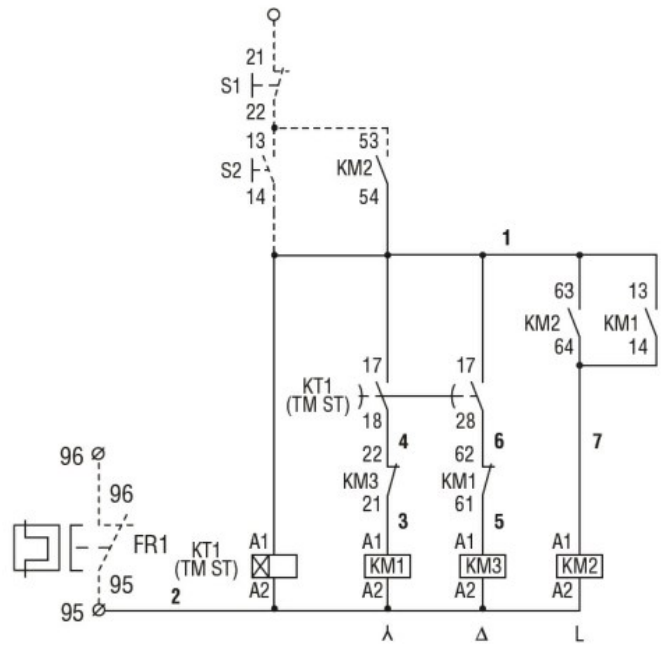
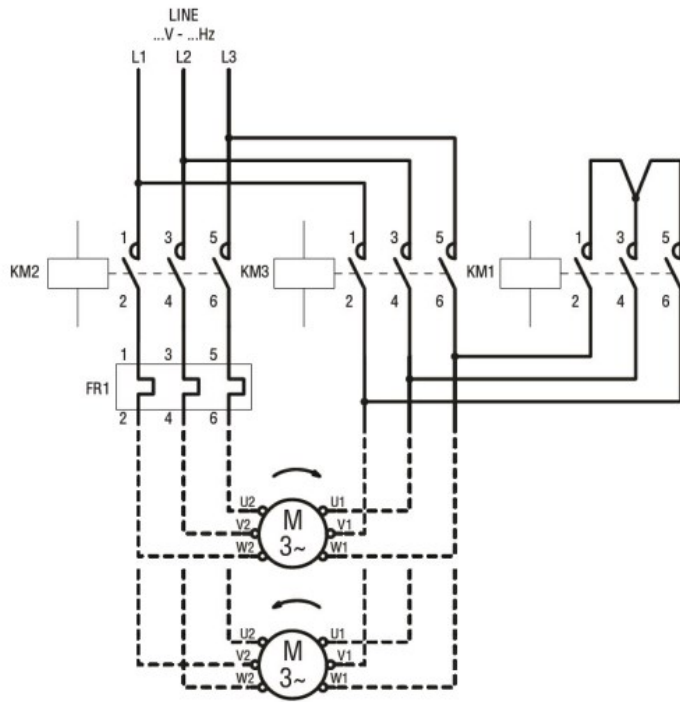
Weight g 1700

Dimensions



| STARTER TYPE | A | B |
|--------------|---------------|---------------|
| BFA009 70 | 130.5 (5.14") | 109.5 (4.31") |
| BFA012 70 | 130.5 (5.14") | 109.5 (4.31") |
| BFA018 70 | 130.5 (5.14") | 109.5 (4.31") |
| BFA025 70 | 130.5 (5.14") | 109.5 (4.31") |
| BFA026 70 | 135 (5.14") | 119 (4.68") |
| BFA032 70 | 135 (5.14") | 119 (4.68") |
| BFA038 70 | 135 (5.14") | 119 (4.68") |
| BFA050 70 | 173 (6.81") | 142 (5.59") |
| BFA065 70 | 173 (6.81") | 142 (5.59") |
| BFA080 70 | 183 (7.20") | 142 (5.59") |

Wiring diagrams



Certifications and compliance

Compliance

IEC/EN 60947-1
IEC/EN 60947-4-9

Certificates

/

ETIM classification

ETIM 8.0

EC001037 -
Motor
starter/Motor
starter
combination