



SMART [PRO] 2.0 is an outdoor and indoor medium-power LED floodlight, suitable for sports areas and facilities. It can be installed on the wall, ceiling or floor thanks to the galvanized steel powder coated bracket with trivalent passivation equipped with adjustable goniometric scale.

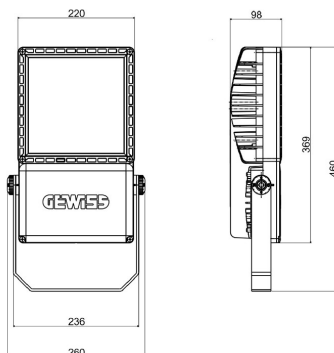
Die-cast aluminium body EN AB 46100, with passive heatsink integrated, polyester powder coated with trivalent passivation. PCB metal core with CSP LED.

Reflector in metallised HT or anodised and polished aluminium. Front glass 4mm thick, anti-aging silicone gaskets and stainless steel A2 external screws. Plastic venting and anti-condensation device. Electrical connection via IP68 connector for 1.5mm² cables. Insulation class 1.

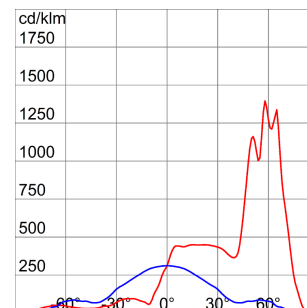
Driver integrated with 1-10 V or DALI version. Nine different types of optics available, three types of Color Temperature (3000K / 4000K / 5700K) and two different types of Color Rendering Index (CRI> 70, CRI> 80). Designed to withstand overvoltage up to 5KV (differential mode) and 10KV (common mode), temperature range from -30 °C to + 50 °C, water and dust penetration up to IP66 protection degree and to impacts up to grade IK08.

GENERAL INFORMATION		OPTIC AND ILLUMINATING FEATURES	
Context	Sport, Big Areas	Optique	A2 - Asymmetrical Medium
Luminaire	LED luminaire with small, mid and high lumen power	Unified Glare Rating	G*3 - ULOR = 0
Application	Intérieur/ Extérieur	Lumen en sortie (Lm)	15300
Unique digital code (Datamatrix)	Attualmente non presente	Efficiency (lm/W)	93
Couleur	Gris graphite	Température de couleur	3000 K
Type de source lumineuse	LED - Non remplaçable	Color Rendering Index	CRI>70
Puissance du système	165 W	Standard Deviation Colour Matching	SDCM = 5
Lifetime	L90B10 (Tq+25°C) > 50000h L90B10 (Tq+40°C) = 40000h L80B10 (Tq+25°C) > 110000h	Photobiological Risk Class	-
Poids (kg)	5.7	Norme	EN60598-1; EN60598-2-5; EN60598-2-24; IEC 62778; IEC62471; EN13201
Garantie	5 ans	ELETRICAL AND LIGHTING FEATURES	
Température de stockage	-	Tension d'alimentation	220 - 240 V
Operating temperature	-30 +40 °C	Fréquence nominale (Hz)	50 / 60
MATERIALS		Driver	Included
Body	Aluminium moulé sous pression	Overvoltage protection	DM 6 kV / CM 10 kV
Vasque	Flat tempered glass 4mm	Control System	Stand Alone - 1/10V
Optic	Polished anodised aluminum reflector with 99.99% pure aluminum	INSTALLATION AND MAINTENANCE	
Gasket	Anti-aging silicone	Mouting and installation	High-mast lighting - Wall mounting - Ground mouting
Locking Hook	Hexagonal metric screws	Inclination angle	Rotation on bracket with integrated goniometer
External screw	Stainless steel	Wiring	Watertight connector
Colour	Polyester powder coated	Fixation	Étrier
STANDARDS AND APPROVALS		Optic Maintenance	Not available
Classification	-	LED Maintenance	Not available
Appareil avec température de surface réduite	Oui	Driver Box	Intégrée
Certification DIN 18032-3	Oui	Surface maximale exposée au vent	0,085 m2
IPEA	-		-
Classe isolement	I		-
Indice de protection	IP66		-
Résistance aux chocs	IK08		-
Test du fil incandescent	-		-

DIMENSIONS



DISTRIBUTION PHOTOMETRIQUE



SYMBOLE TECHNIQUE



NORMES ET HOMOLOGATIONS



Les caractéristiques, dimensions, dessins et images sont communiqués à titre purement informatif et peuvent faire l'objet de modification sans aucun préavis - Dernière mise à jour 02/03/2020